



Traditionally Innovative

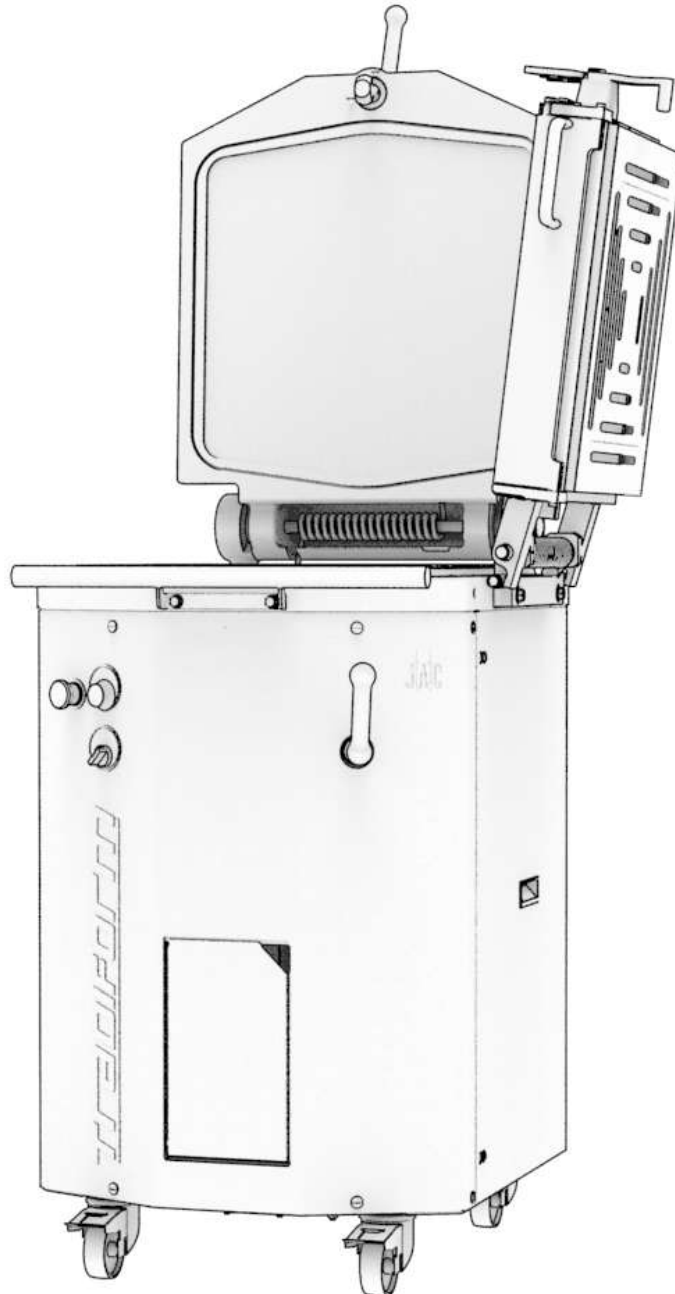
TRADIFORM

DIVIFORM+

DIVIFORM

DIV-R

DIV



EN – FR – DE – NL – RU – ES – IT – AR

V02-02-2020

EN- Translation of original user instructions

FR- Notice d'utilisation originale

DE- Übersetzung der Originalanleitung

NL- Vertaling van de originele gebruikershandleiding

RU. Перевод оригинального руководства по эксплуатации

ES- Traducción del manual de uso original

IT- Traduzione delle informazioni sull'utilizzo originali

فرنسي - ترجمة دليل الاستخدام الأصلي

1	BEFORE COMMISSIONING	6
2	WARRANTY	6
3	WARNINGS	7
4	TECHNICAL SPECIFICATIONS	8
4.1	<i>Technical specifications</i>	8
4.2	<i>Details of materials in direct contact with dough</i>	8
5	INSTALLATION AND COMMISSIONING	9
5.1	<i>Unpacking the machine</i>	9
5.2	<i>Location</i>	9
5.3	<i>Electrical connection</i>	9
5.4	<i>Commissioning</i>	10
5.5	<i>Hazard</i>	10
6	CONTROLS AND SAFETY FEATURES	11
6.1	<i>Controls</i>	11
6.2	<i>Setting area</i>	11
6.3	<i>Work area</i>	11
7	OPERATION	11
8	MAINTENANCE	13
8.1	<i>Daily, by a trained user</i>	13
8.2	<i>Weekly, by a trained user</i>	13
8.3	<i>Annually, by an approved agent</i>	13
9	CONSUMABLES	14
9.1	<i>List of CONSUMABLES</i>	14
10	MALFUNCTIONS	15
11	LIST OF COMPONENTS IN ILLUSTRATIONS	16

1 BEFORE COMMISSIONING

Thank you for choosing a JAC system. It is essential that you read these instructions before installing and commissioning this machine. This will enable you to protect yourself and avoid damaging your machine.

These instructions refer to various illustrations in order to make them easier to understand. These illustrations are at the end of the instructions. Please refer to them whenever you see the following symbols: (fig.x, n°y).

To ensure that your machine gives you full satisfaction over the coming years, we invite you to familiarise yourself with the following advice:

- Enlist the help of your approved agent for installation, commissioning and service support.
- In order to be covered by the 5-year warranty (see terms and conditions set out below), please have your dealer fill in the service booklet when your machine is being installed.

2 WARRANTY



All JAC products are covered by a 5-year warranty.

This warranty is valid for all parts on your machine, including electronic components but excluding consumables. This warranty takes effect on the date the equipment is installed.

Subject to the following restrictive conditions:

- equipment acquired from an approved dealer;
- installation carried out by an approved agent;
- equipment used in accordance with the instructions for use and for the intended purpose for which it was manufactured;
- equipment serviced on a daily basis in compliance with the instructions for use;
- regular servicing by the approved agent in compliance with service specifications, with at least one service a year (servicing chargeable to the user);
- exclusive use of genuine JAC parts.



If there is no record of servicing by an approved agent, warranty cover will be limited to one year.

This warranty does not cover:

- replacement of consumables (§9);
- parts not accepted as defective by our company;
- problems due to improper use of the equipment;
- problems due to installation not carried out by an approved agent;
- parts or problems due to transit damage or improper handling.

The repair and/or replacement of defective parts during the warranty period does not bring about an extension of said warranty.

It is most important that these user instructions be kept with the machine for future reference. Should this machine be sold or transferred to another user, please ensure that the user instructions are handed over so that the new user can be familiarised with its operation and the associated warnings.



These warnings are given for your safety and that of others. We would therefore ask you to read them carefully before installing and using the machine.

This machine has been designed for use by authorised, trained adults. Please therefore ensure that children do not touch it or use it as a toy.

This machine is intended exclusively for professional use.

It is dangerous to modify or attempt to modify the specifications of this machine.

After having installed this machine, please ensure that it is not standing on the power cable.

Follow the instructions given for its use.

This machine must be stored and used in an indoor room, protected from moisture and heat.

This machine must be adequately illuminated to operate it.

The noise level of this machine does not exceed 75 dB(A) in accordance with standard EN ISO 3744.

This machine must be used by one person at a time.

(DIVIFORM, DIVIFORM+ and TRADIFORM) Never use more than one tamping plate at a time. Do not stack multiple tamping plates in the tank.



Never leave dough in the tank for longer than is necessary for the procedures. Always open the lid immediately after the previous step of the operating procedure.

Dough is a living natural product that rises during fermentation. As a result, fermented dough left in the tank for more than a few minutes can exert significant pressure on the lid. This pressure could cause violent movement of the lid when it is opened.

Never use a tool to force the lid open.



Always disconnect the mains socket before cleaning the machine inside/outside and when carrying out maintenance (cf. chapter 8).

This machine is heavy. Take all necessary safety precautions when handling it.

4 TECHNICAL SPECIFICATIONS

4.1 Technical specifications

	DIV	DIV-R	DIVIFORM	DIVIFORM+	TRADIFORM
Height, lid and frame open (mm)	1759	1759	1604	1759	1759
Width (mm)	600	600	832	832	832
Depth (mm)	772	772	732		772
Packaging (mm)	800 x 880 x 1250	800 x 880 x 1250	800 x 880 x 1250	800 x 880 x 1250	800 x 880 x 1250
Net weight (kg)	Round tank: 315 Square tank: 300	Round tank: 320 Square tank: 305	260	285	315
Net weight + packing (kg)	Round tank: 335 Square tank: 320	Round tank: 340 Square tank: 325	280	305	335
Motor power rating (kW)	50 Hz: 1.5 60 Hz: 1.8	50 Hz: 1.5 60 Hz: 1.8	50 Hz: 1.5 60 Hz: 1.8	50 Hz: 1.5 60 Hz: 1.8	50 Hz: 1.5 60 Hz: 1.8
Motor type	Three-phase	Three-phase	Three-phase	Three-phase	Three-phase
220 V (A)	50 Hz: 8 60 Hz: 11	50 Hz: 8 60 Hz: 11	50 Hz: 8 60 Hz: 11	50 Hz: 8 60 Hz: 11	50 Hz: 8 60 Hz: 11
380 V (A)	50 Hz: 4.5 60 Hz: 6.5	50 Hz: 4.5 60 Hz: 6.5	50 Hz: 4.5 60 Hz: 6.5	50 Hz: 4.5 60 Hz: 6.5	50 Hz: 4.5 60 Hz: 6.5
Dividing-moulding production rate (pieces/h)			400 to 3000 depending on grid type	400 to 3000 depending on grid type	400 to 3000 depending on grid type
Production rate for in-tank dividing	900	900			900
Dividing-moulding dough piece min./max. weights (g)			19 to 2500 depending on grid type	19 to 2500 depending on grid type	19 to 2500 depending on grid type
In-tank dividing dough piece min./max. weights (g)	150/950 300/1900 for 10/20 option	150/950 300/1900 for 10/20 option			150/950 300/1900 for 10/20 option
Tank capacity (kg)	19	19	5	5	19 for in-tank dividing 5 for dividing-moulding

The minimum hydration rate required for optimum operation is 55% for in-tank dividing and 70% for dividing-moulding.

4.2 Details of materials in direct contact with dough

Square tank: STAINLESS STEEL 304

Round tank: Cast iron FGL200

Square tank heads: GHA-coated aluminium

Round tank heads: Teflon-coated cast iron

Knives: STAINLESS STEEL 304

Lid: Aluminium AISi10Mg

Standard grid: Teflon-coated stainless steel 430

Shaped grid: Teflon-coated stainless steel 430 + EN AW-6060

Coarse tamping plate: UHMWPE

5.1 Unpacking the machine

Machines are delivered from our works on pallets, strapped and protected with cardboard. First of all, the packaging must be examined and any damage caused in transit must be declared directly to the carrier.

- A. Remove the cardboard.
- B. Remove the side doors from the machine in order to gain access to the screws securing the machine to the pallet.
- C. Detach the machine from its pallet by removing the 2 screws immobilising the machine (fig.5).
- D. Take the machine off the pallet. Make sure you do this with at least two people in order to lower it as gently as possible onto the floor.
- E. **(TRADIFORM/DIVIFORM/DIVIFORM+)** Fit the frame onto its mounting (fig.6).
- F. **(EASYFLOUR Option)** Install the flour dispenser and fill it with flour (fig.6).

After unpacking the machine, check that it has not been damaged in transit. Notify us of any defects.

5.2 Location

In order to achieve excellent performance and long-term reliability, choose a location that is:

Well ventilated, shielded from direct sunlight and away from sources of heat, with a flat and sturdy surface free from vibration.

5.3 Electrical connection

IMPORTANT: This machine must be earthed.

It is recommended that the system be protected with a fuse and an RCD.

Your mains electricity supply to the machine must be protected as indicated below:

- North America: 15 A protection;
- Rest of the world: 16A protection.

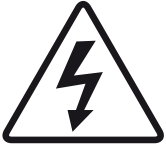
For machines equipped with a variable speed drive, it is imperative that they be connected to a junction box on a circuit fitted with a type B 300 mA differential.

Note: Any problem resulting from any other type of connection will not be covered under warranty.

Before connecting the machine to the mains supply and in order to prevent motor failure when it is switched on, it is important to check that the mains supply matches the machine specification (see machine nameplate).

This machine complies with Machinery Directives 2006/42, 2014/35, 2014/30 and is CE-marked as proof of this compliance.

Please familiarise yourself with the safety pictograms displayed on the machine:



This pictogram indicates an electrocution hazard. Please isolate the machine before carrying out any work on it. You will find this pictogram inside the machine on the electrical enclosure (fig.13, n°21).

You will find the circuit diagram for the machine inside the left-hand door of the divider (fig.13, n°22).



This pictogram indicates a crushing hazard. Please isolate the machine before carrying out any work on it. You will find this pictogram on the side doors (fig.13, n°23).

5.4 Commissioning

Before commissioning, ensure that there are no extraneous objects interfering with the machine's moving parts.

Ensure first of all (after verifying electrical compatibility) that the motor is rotating in the right direction; if so, the heads will rise when you pull the control lever towards you. If this is not the case, disconnect the plug and switch 2 phases in it.

For machine operation, refer to the "Operation" chapter.

5.5 Hazard

If the user or the machine is in danger, use the emergency stop to stop the machine.

Remove the plug from the mains socket before any maintenance and/or servicing work.

Any maintenance work or replacement of parts must be carried out by an approved agent.

6.1 Controls

Your machine is equipped as standard with a mechanical control panel (fig.3).

6.2 Setting area

The pressure setting and flour recovery area is located at the front of the machine (fig.7).

6.3 Work area

The work area is at the front of the machine (fig.4).

7 OPERATION

In-tank cutting operating procedure (DIV, DIV-R and TRADIFORM only) (fig.8, 9)

- A. Twist the emergency stop button (fig.3, n°16) ¼ turn to the right if it has not been activated.
- B. Open the lid (if the lid is difficult to open, please refer to chapter 10, Malfunctions).
- C. If necessary, lightly flour the heads in the tank.
- D. Empty the dough into the tank and spread it around roughly by hand.
- E. If necessary, lightly flour the top of the dough.
- F. **(DIV-R and TRADIFORM)** Adjust the tamping pressure using the pressure setting handle located on the front.
- G. With the **10/20 option**, choose between cutting into 10 or 20 divisions using the selector on the front.
- H. Close the tank lid.
- I. Pull the control lever to raise the heads and divide the dough.
- J. Push the lever briefly in order to decompress so that you can open the lid.
- K. Open the lid.
- L. Pull the lever to raise the heads and recover the dough pieces.

The emergency stop button is used to stop a cycle in progress.

Dividing-moulding operating procedure (DIVIFORM, DIVIFORM+ and TRADIFORM only) (fig.10, 11)

- A. Twist the emergency stop button (fig.3, n°16) ¼ turn to the right if it has not been activated.
- B. **(DIVIFORM+ and TRADIFORM)** Open the lid and place the tamping plate at the bottom of the tank (if the lid is difficult to open, please refer to chapter 10, Malfunctions).
Never use more than one tamping plate at a time. Do not stack multiple tamping plates in the tank.
- C. If necessary, lightly flour the top of the coarse tamping plate.
- D. Empty the dough into the tank and spread it around roughly by hand.
- E. If necessary, lightly flour the top of the dough.
- F. **(TRADIFORM)** Adjust the tamping pressure using the pressure setting handle located on the front.
(DIVIFORM+) Adjust the tamping pressure using the pressure setting handle located on the side of the divider.
(DIVIFORM) Go to step K.
- G. Close the lid.
- H. Pull the control lever to raise the heads and divide the dough.
- I. Push the lever briefly in order to decompress so that you can open the lid.
- J. Open the lid.

- K. Close the frame.
- L. Pull the lever to divide the dough.
- M. Push the lever briefly in order to decompress so that you can open the frame.
- N. Open the frame.
- O. Pull the lever to raise the heads and recover the dough pieces.

The emergency stop button is used to stop a cycle in progress.

Click&Cut system grid changing procedure (DIVIFORM, DIVIFORM+ and TRADIFORM only) (fig.12)

- A. Press the emergency stop button.
- B. Close the frame.
- C. Open the grid compartment by releasing the catch on the left-hand side of the frame.
- D. Open the grid compartment flap.
- E. Remove the old grid.
- F. Insert the new grid.
- G. Close the grid compartment flap.
- H. Twist the emergency stop button $\frac{1}{4}$ turn to the right.

Easyflour flour dispenser filling procedure (EASYFLOUR OPTION) (fig.14)

- A. Open the flour dispenser lid.
- B. Empty the flour into the flour dispenser filling area (fig.14,n°24).
- C. Close the flour dispenser lid.
- D. Set the flour dispenser flow rate using the cursor (fig.14,n°25).

8.1 Daily, by a trained user

(fig.15)

- A. Place the heads and the knives in the lowered position and clean the tank and the lid.
- B. Press the knife cleaning button to raise the knives.
- C. Activate the emergency stop, isolate the machine and clean the knives.
- D. Release the emergency stop and reconnect the machine.
- E. Pull the lever to raise the heads and clean out dough and flour residues with a vacuum cleaner.

8.2 Weekly, by a trained user

(fig.16)

- A. Press the knife raise button to raise the knives.
- B. Activate the emergency stop, isolate the machine and remove the side doors using a screwdriver.
- C. Using a vacuum cleaner, clean all over the inside of the machine as well as the mechanical components.
- D. Refit the side doors and empty the flour recovery bin.
- E. Wash the entire exterior with a damp cloth.
- F. Release the emergency stop and reconnect the machine.

8.3 Annually, by an approved agent

- A. Place the heads in the lowered position.
- B. Press the emergency stop button, isolate the machine and remove the right-hand side door using a screwdriver.
- C. Check the oil level (the level must be between 4 and 5 cm from the top edge of the aluminium flange).

NOTE: Below you will find a non-exhaustive list of compatible hydraulic oils:

CONDAT	HYDROLUB S46
ELF	HYDRELF DS46
CASTROL	AYSPIN AWS46
TOTAL	AZOLLA ZS32

- D. Release the emergency stop and reconnect the machine.
- E. Check that your approved agent has recorded his work in order to maintain your 5-year warranty cover.

9 CONSUMABLES

When ordering spare parts, check with your approved agent which part is required based on the spare parts catalogue issued by the manufacturer.

Always specify the machine serial number as shown on the nameplate.

Your agent will place the orders with JAC.

9.1 List of CONSUMABLES

ITEM CODE	NEW DESCRIPTION	MODEL
F1500009	LID SEAL	DIV-R, TRADIFORM
F1500004	LID SPRING	DIV, DIV-R, DIVIFORM+, TRADIFORM
F1513364	CLICK&CUT SPRING RH	DIVIFORM, DIVIFORM+, TRADIFORM
10040012	WEAR PLATE	DIV, DIV-R, DIVIFORM+, TRADIFORM
HUILEHYDROS46	HYDRAULIC OIL	TOUTES
F140000311	DOUBLE EXCENTRIC	DIV, DIV-R, DIVIFORM+, TRADIFORM
F1513326	LOCK PIN	DIVIFORM, DIVIFORM+, TRADIFORM

10 MALFUNCTIONS

NB: The machine must be isolated from the power supply before attempting any work on it.

Problem	Check
Problem 1: The machine will not start	Open the lid immediately so that the dough is not left fermenting in the tank. (If the handle is difficult to open by hand, refer to Problem 7). Check the main power supply and the power supply to the motor. Check whether the thermal cut-out has tripped.
Problem 2: The hydraulic power pack starts up but the heads will not rise	Switch 2 phases on the machine plug.
Problem 3: Machine lacks power	Check oil level. The level must be between 4 and 5 cm from the top edge.
Problem 4: The heads rise but the knives do not extend	Contact your technician.
Problem 5: Oil on the floor	Contact your technician.
Problem 6: The lid cannot be opened, or The dough has been left unsupervised in the closed tank	Do not try to force the lid open. Only one person should handle the machine. Do not use a tool to force the lid open. If dough has fermented in the tank for more than a few minutes, be careful when trying to open the lid. Keep away from the line of opening of the lid. If the lid cannot be opened in accordance with the user instructions, please contact your technician. Keep away from the line of opening of the lid until the technician arrives.
Problem 7: In the event of a power cut	Open the lid immediately so that the dough is not left fermenting in the tank. (If the handle is difficult to open by hand, refer to Problem 6).



Should the problem persist, please contact your technician.

11 LIST OF COMPONENTS IN ILLUSTRATIONS

Figure	Item	Description
1	1	Lid
	2	Lid seal
	3	Tank
	4	Heads
	5	Flour recovery
	6	Manoeuvring handle
	7	Braked castors
	8	Lid closing handle
	9	Lid closing eccentric
	10	Grid frame
	11	Door handle
	12	Pressure setting compartment
2	13	Knives
3	14	Knife cleaning (DIV, DIV-R and TRADIFORM only)
	15	10/20 selection button (10/20 option)
	16	Emergency stop
	17	Control lever
4	18	Work area
7	19	Flour recovery bin
	20	Pressure setting
13	21	Pictogram indicating an electrocution hazard
	22	Circuit diagram
	23	Pictogram indicating a crushing hazard
14	24	Easyflour flour dispenser filling area
	25	Easyflour flour dispenser flow rate setting cursor

1	AVANT LA MISE EN SERVICE	18
2	GARANTIE	18
3	AVERTISSEMENTS	19
4	CARACTERISTIQUES TECHNIQUES	20
4.1	<i>Caractéristiques techniques</i>	20
4.2	<i>Détail des matériaux en contact direct avec la pâte</i>	20
5	INSTALLATION ET MISE EN SERVICE	21
5.1	<i>Déconditionnement de la machine</i>	21
5.2	<i>Emplacement</i>	21
5.3	<i>Raccordement électrique</i>	21
5.4	<i>Mise en service</i>	22
5.5	<i>Danger</i>	22
6	ORGANE DE COMMANDE ET DE SECURITE	23
6.1	<i>Organe de commande</i>	23
6.2	<i>Zone de réglage</i>	23
6.3	<i>Zone de travail</i>	23
7	UTILISATION	23
8	ENTRETIEN	25
8.1	<i>Journalier par un utilisateur formé</i>	25
8.2	<i>Hebdomadaire par un utilisateur formé</i>	25
8.3	<i>Annuel par un agent agréé</i>	25
9	CONSOMMABLES	26
9.1	<i>Liste des CONSOMMABLES</i>	26
10	INCIDENTS DE FONCTIONNEMENT	27
11	LISTE DES COMPOSANTS SUR LES FIGURES	28

1 AVANT LA MISE EN SERVICE

Merci d'avoir choisi une solution JAC. Veuillez impérativement lire ce mode d'emploi avant d'installer et de mettre en service cette machine. Vous pourrez ainsi vous protéger et éviter de détériorer votre machine.

Cette notice fait référence à différentes figures afin de faciliter la compréhension des instructions. Ces figures se trouvent en fin de notice. Veuillez vous y référer dès que vous rencontrez les symboles suivants (fig.x, n°y).

Pour que votre machine vous donne entière satisfaction au cours des prochaines années, nous vous invitons à prendre connaissance des conseils suivants :

- Faites-vous aider par votre agent agréé pour l'installation, la mise en service et le suivi.
- Afin de pouvoir bénéficier de la garantie de 5 ans (voir conditions reprises ci-après), faites compléter le carnet d'entretien par votre distributeur lors de l'installation de votre machine.

2 GARANTIE



JAC offre une garantie de 5 ans sur tous ses produits.

Cette garantie est valable sur toutes les pièces de votre machine, pièces électroniques incluses, hors consommables. La garantie prend effet à la date d'installation du matériel.

Sous les conditions restrictives suivantes :

- matériel acquis auprès d'un revendeur agréé ;
- installation effectuée par un agent agréé ;
- utilisation du matériel conformément aux indications du mode d'emploi et dans le but pour lequel il a été fabriqué ;
- matériel quotidiennement entretenu conformément aux indications du mode d'emploi ;
- entretiens suivis par l'agent agréé conformément aux spécifications d'entretien avec, au minimum, un entretien par an (entretien à charge de l'utilisateur) ;
- utilisation exclusive des pièces d'origine JAC.



S'il n'y a pas de suivi d'entretien par un agent agréé, la garantie se limite à un an.

Cette garantie ne couvre pas :

- le remplacement des consommables (§9) ;
- les pièces non reconnues défectueuses par nos services ;
- les problèmes résultant d'une utilisation anormale du matériel ;
- les problèmes résultant d'une installation non effectuée par un agent agréé ;
- les pièces ou les problèmes résultant d'un dégât de transport ou d'une manutention inappropriée.

Une réparation et/ou un remplacement de pièces défectueuses effectué(es) durant la période de garantie n'a (n'ont) pas pour effet de prolonger ladite garantie.

Il est très important que cette notice d'utilisation soit conservée avec l'appareil pour toute future consultation. Si cet appareil devait être vendu ou transféré à une autre personne, assurez-vous que la notice d'utilisation soit remise de façon à ce que l'utilisateur puisse être informé de son fonctionnement et des avertissements s'y rapportant.



Ces avertissements sont donnés pour votre sécurité et pour celle d'autrui. Nous vous prions donc de bien vouloir les lire attentivement avant d'installer et d'utiliser l'appareil.

Cette machine a été conçue pour être utilisée par des adultes autorisés et formés. Veillez donc à ce que les enfants n'y touchent pas ou qu'ils ne l'utilisent pas comme un jouet.

Cette machine est exclusivement réservée à un usage professionnel.

Il est dangereux de modifier ou d'essayer de modifier les caractéristiques de cette machine.

Après l'installation de cette machine, assurez-vous qu'elle ne repose pas sur le câble d'alimentation.

Suivez les instructions données pour l'utilisation.

Cette machine doit être stockée et utilisée à l'intérieur, dans un local à l'abri de l'humidité et de la chaleur.

Cette machine doit être suffisamment éclairée pour effectuer le travail.

Cette machine a un niveau sonore inférieur à 75 dB(A), suivant la norme EN ISO 3744.

Cette machine doit être utilisée par une seule personne à la fois.

(DIVIFORM, DIVIFORM+, TRADIFORM) N'utilisez jamais plus d'une plaque de tassage à la fois. N'empilez pas plusieurs plaques de tassage dans la cuve.



Ne laissez jamais de la pâte dans la cuve plus longtemps que ce qui est nécessaire pour les procédures. Ouvrez toujours le couvercle immédiatement après l'étape précédente de la procédure d'utilisation.

La pâte est un produit naturel vivant qui gonfle durant la fermentation. Il en résulte que la pâte fermentée laissée plus longtemps que quelques minutes dans la cuve peut exercer une forte pression sur le couvercle. Cette pression pourrait causer un violent mouvement du couvercle lors de son ouverture.

N'utilisez jamais d'outil pour forcer l'ouverture du couvercle.



Toujours débrancher la prise de courant avant de procéder au nettoyage intérieur/extérieur de l'appareil et aux opérations de maintenance (CF. chapitre 8).

Cet appareil est lourd. Prenez toutes les précautions de sécurité lors de sa manutention.

4 CARACTERISTIQUES TECHNIQUES

4.1 Caractéristiques techniques

	DIV	DIV-R	DIVIFORM	DIVIFORM+	TRADIFORM
Hauteur couvercle et encadrement ouvert (mm)	1759	1759	1604	1759	1759
Largeur (mm)	600	600	832	832	832
Profondeur (mm)	772	772	732		772
Colisage (mm)	800 x 880 x 1250	800 x 880 x 1250	800 x 880 x 1250	800 x 880 x 1250	800 x 880 x 1250
Poids net (kg)	Cuve ronde : 315 Cuve carrée : 300	Cuve ronde : 320 Cuve carrée : 305	260	285	315
Poids NET + emballage (kg)	Cuve ronde : 335 Cuve carrée : 320	Cuve ronde : 340 Cuve carrée : 325	280	305	335
Puissance moteur (kW)	50Hz : 1,5 60Hz : 1,8	50Hz : 1,5 60Hz : 1,8	50Hz : 1,5 60Hz : 1,8	50Hz : 1,5 60Hz : 1,8	50Hz : 1,5 60Hz : 1,8
Type moteur	Triphasé	Triphasé	Triphasé	Triphasé	Triphasé
220v (A)	50Hz : 8 60Hz : 11	50Hz : 8 60Hz : 11	50Hz : 8 60Hz : 11	50Hz : 8 60Hz : 11	50Hz : 8 60Hz : 11
380v (A)	50Hz : 4,5 60Hz : 6,5	50Hz : 4,5 60Hz : 6,5	50Hz : 4,5 60Hz : 6,5	50Hz : 4,5 60Hz : 6,5	50Hz : 4,5 60Hz : 6,5
Cadence en division formage (pièces/h)			De 400 à 3000 suivant le type de grille	De 400 à 3000 suivant le type de grille	De 400 à 3000 suivant le type de grille
Cadence en division en cuve	900	900			900
Poids des pâtons en division formage mini/maxi (g)			19 à 2500 suivant le type de grille	19 à 2500 suivant le type de grille	19 à 2500 suivant le type de grille
Poids des pâtons en division en cuve mini/maxi (g)	150/950 300/1900 si option 10/20	150/950 300/1900 si option 10/20			150/950 300/1900 si option 10/20
Capacité de la cuve (kg)	19	19	5	5	19 si division en cuve 5 si division formage

Pour un fonctionnement parfait, le taux d'hydratation doit être de 55 % minimum en division en cuve et 70 % minimum en division formage.

4.2 Détail des matériaux en contact direct avec la pâte

Cuve carrée : INOX 304

Cuve ronde : Fonte FGL200

Taloches cuve carrée : Aluminium revêtu GHA

Taloches cuve ronde : Fonte revêtue téflon

Couteaux : INOX 304

Couvercle : Aluminium AISi10Mg

Grille standard : INOX 430 revêtu téflon

Grille profilée : INOX 430 revêtu téflon + EN AW-6060

Plaque tasse-gras : PE-UHMW

5.1 Déconditionnement de la machine

Les machines sont livrées, sorties de nos ateliers, sur palettes, sanglées et protégées par du carton. Avant toute chose, l'emballage doit être observé et tout dommage dû au transport doit être déclaré directement au livreur.

- A. Retirer le carton.
- B. Retirer les portes latérales de la machine afin d'avoir accès aux vis qui maintiennent la machine sur la palette.
- C. Désolidariser la machine de sa palette en dévissant les 2 vis qui bloquent la machine (fig.5).
- D. Descendre la machine de la palette. Veiller à faire cette manipulation à au moins deux personnes afin d'amortir au mieux le contact avec le sol.
- E. **(TRADIFORM / DIVIFORM / DIVIFORM+)** Mettre en place l'encadrement sur son support (fig.6).
- F. **(Option EASYFLOUR)** Mettre en place le farineur et le remplir de farine (fig.6).

Après déballage de la machine, vérifier qu'elle n'a pas subi de dommages pendant le transport. Nous signaler toute anomalie.

5.2 Emplacement

Pour obtenir d'excellentes performances et une fiabilité à long terme, choisir un emplacement :

Bien ventilé, à l'abri du rayonnement solaire direct et éloigné des sources de chaleur, avec une surface plane et robuste exempte de vibrations.

5.3 Raccordement électrique

IMPORTANT : Mise à la terre obligatoire.

Il est conseillé de protéger l'installation avec un fusible et un disjoncteur différentiel.

Votre installation électrique alimentant la machine doit être protégée comme indiqué ci-dessous :

- Amérique du Nord : Protection 15A ;
- Reste du monde : Protection 16A.

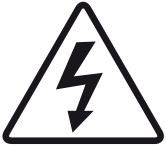
Pour les machines équipées d'un variateur, celles-ci doivent être impérativement raccordées à une boîte de dérivation sur une ligne équipée d'un différentiel de type B de 300mA.

Note : Tout problème résultant d'un autre type de raccordement ne sera pas pris en compte par la garantie.

Avant de connecter la machine au réseau et afin d'éviter une mise hors service du moteur à la mise sous tension, il est important de vérifier la concordance du réseau d'alimentation avec les caractéristiques de la machine (voir plaque signalétique de celle-ci).

Cet appareil est conforme aux Directives Machines 2006/42, 2014/35, 2014/30 et porte le marquage CE attestant cette conformité.

Veillez prendre connaissance des pictogrammes de sécurité figurant sur la machine :



Pictogramme signalant un risque d'électrocution. Veuillez débrancher la machine avant toute intervention sur celle-ci. Vous retrouverez ce pictogramme à l'intérieur de la machine sur le coffret électrique (fig.13, n°21).

Vous trouverez le schéma électrique de la machine à l'intérieur de la porte gauche de la diviseuse (fig.13, n°22).



Pictogramme signalant un risque d'écrasement. Veuillez débrancher la machine avant toute intervention sur celle-ci. Vous retrouverez ce pictogramme sur les portes latérales (fig.13, n°23).

5.4 Mise en service

Avant la mise en service, s'assurer de l'absence de tout objet parasite sur les parties en mouvement de la machine.

S'assurer tout d'abord (après vérification des concordances électriques) que le moteur tourne dans le bon sens ; il faut pour cela que les taloches montent lorsqu'on tire le levier de commande vers soi. Si ce n'est pas le cas, débrancher la prise et inverser 2 phases dans celle-ci.

Pour l'utilisation de la machine, se reporter au chapitre « Utilisation ».

5.5 Danger

En cas de danger pour l'utilisateur ou pour la machine, utiliser l'arrêt d'urgence pour arrêter la machine.

Retirer la fiche de la prise électrique avant toute opération de maintenance et d'entretien.

Toute opération de maintenance ou de remplacement de pièce doit être effectuée par un agent agréé.

6.1 Organe de commande

Votre machine est équipée de série d'un pupitre de commande mécanique (fig.3).

6.2 Zone de réglage

La zone de réglage de la pression et de récupération de farine se situe à l'avant de la machine (fig.7).

6.3 Zone de travail

La zone de travail se situe à l'avant de la machine (fig.4).

7 UTILISATION

Procédure d'utilisation en découpe en cuve (DIV, DIV-R, TRADIFORM uniquement) (fig.8, 9)

- A. Tourner d'1/4 de tour vers la droite le bouton d'arrêt d'urgence (fig.3, n°16), s'il n'est pas actionné.
- B. Ouvrir le couvercle (si le couvercle est difficile à ouvrir, veuillez vous référer au chapitre 10 Incidents de fonctionnement).
- C. Si besoin, fariner légèrement les taloches dans la cuve.
- D. Verser la pâte dans la cuve et la répartir grossièrement à la main.
- E. Si nécessaire, farinez légèrement le dessus de la pâte.
- F. **(DIV-R et TRADIFORM)** Régler la pression de tassage grâce à la poignée de réglage pression située en façade.
- G. Avec l'**option 10/20**, choisir de couper en 10 ou 20 divisions grâce au sélecteur en façade.
- H. Fermer le couvercle de la cuve.
- I. Tirer le levier de commande pour faire monter les taloches et diviser la pâte.
- J. Pousser brièvement le levier afin de décompresser pour pouvoir ouvrir le couvercle.
- K. Ouvrir le couvercle.
- L. Tirer le levier pour faire monter les taloches et récupérer les pâtons.

Le bouton d'arrêt d'urgence permet d'arrêter un cycle en cours.

Procédure d'utilisation en division fromage (DIVIFORM, DIVIFORM+, TRADIFORM uniquement) (fig.10, 11)

- A. Tourner d'1/4 de tour vers la droite le bouton d'arrêt d'urgence (fig.3, n°16), s'il n'est pas actionné.
- B. **(DIVIFORM+, TRADIFORM)** Ouvrez le couvercle et placez la plaque de tassage au fond de la cuve (si le couvercle est difficile à ouvrir, veuillez vous référer au chapitre 10 Incidents de fonctionnement).
N'utilisez jamais plus d'une plaque de tassage à la fois. N'empilez pas plusieurs plusieurs plaques de tassage dans la cuve.
- C. Si besoin, fariner légèrement le dessus de la plaque tasse-gras
- D. Verser la pâte dans la cuve et la répartir grossièrement à la main.
- E. Si nécessaire, farinez légèrement le dessus de la pâte
- F. **(TRADIFORM)** Régler la pression de tassage grâce à la poignée de réglage pression située en façade.
(DIVIFORM+) Régler la pression de tassage grâce à la poignée de réglage pression située sur le côté de la diviseuse.
(DIVIFORM) Passer à l'étape K.

- G. Fermez le couvercle.
- H. Tirer le levier de commande pour faire monter les taloches et diviser la pâte.
- I. Pousser brièvement le levier afin de décompresser pour pouvoir ouvrir le couvercle.
- J. Ouvrir le couvercle.
- K. Fermer l'encadrement.
- L. Tirer le levier pour diviser la pâte.
- M. Pousser brièvement le levier afin de décompresser pour pouvoir ouvrir l'encadrement.
- N. Ouvrir l'encadrement.
- O. Tirer le levier pour faire monter les taloches et récupérer les pâtons.

Le bouton d'arrêt d'urgence permet d'arrêter un cycle en cours.

Procédure de changement de grille système Click&Cut (DIVIFORM, DIVIFORM+, TRADIFORM uniquement) (fig.12)

- A. Appuyer sur le bouton d'arrêt d'urgence.
- B. Fermer l'encadrement.
- C. Ouvrir le compartiment grille grâce au loquet situé sur le côté gauche de l'encadrement.
- D. Ouvrir le volet du compartiment grille.
- E. Retirer l'ancienne grille.
- F. Insérer la nouvelle grille.
- G. Rabattre le volet du compartiment grille.
- H. Tourner d'1/4 de tour vers la droite le bouton d'arrêt d'urgence.

Procédure de remplissage du farineur Easyflour (OPTION EASYFLOUR) (fig.14)

- A. Ouvrez le couvercle du farineur.
- B. Versez la farine dans la zone de remplissage du farineur (fig.14,n°24).
- C. Fermez le couvercle du farineur.
- D. Réglez le débit du farineur à l'aide du curseur (fig.14,n°25).

8.1 Journalier par un utilisateur formé

(fig.15)

- A. Placez les taloches et les couteaux en position basse et nettoyez la cuve et le couvercle.
- B. Appuyez sur le bouton de nettoyage des couteaux afin de faire monter les couteaux.
- C. Actionner l'arrêt d'urgence, débrancher la machine et nettoyez les couteaux.
- D. Retirer l'arrêt d'urgence et rebrancher la machine.
- E. Tirer le levier pour faire monter les taloches et aspirer les résidus de pâte et de farine.

8.2 Hebdomadaire par un utilisateur formé

(fig.16)

- A. Appuyez sur le bouton de remontée des couteaux afin de faire monter les couteaux.
- B. Actionnez l'arrêt d'urgence, débrancher la machine et retirez les portes latérales à l'aide d'un tournevis.
- C. Aspirez toutes les parties intérieures de la machine ainsi que les parties mécaniques.
- D. Remplacez les portes latérales et videz le bac de récupération de farine.
- E. Lavez l'ensemble de la carrosserie à l'aide d'un chiffon humide.
- F. Retirer l'arrêt d'urgence et rebrancher la machine.

8.3 Annuel par un agent agréé

- A. Placer les taloches en position basse.
- B. Appuyer sur le bouton d'arrêt d'urgence, débrancher la machine et retirer la porte latérale droite à l'aide d'un tournevis.
- C. Contrôler le niveau d'huile (le niveau doit se situer entre 4 et 5 cm du bord supérieur de la bride en alu).

NOTE : Vous trouverez ci-dessous une liste non exhaustive des huiles hydrauliques compatibles :

CONDAT	HYDROLUB S46
ELF	HYDRELF DS46
CASTROL	AYSPIN AWS46
TOTAL	AZOLLA ZS32

- D. Retirer l'arrêt d'urgence et rebrancher la machine.
- E. Bien vérifier que votre agent agréé enregistre son intervention afin de conserver votre garantie de 5 ans.

9 CONSOMMABLES

Lors d'une commande d'une pièce de rechange, vérifier avec votre agent agréé de quelle pièce il s'agit sur la base du catalogue de pièces de rechange émis par le fabricant.

Toujours préciser le numéro de machine comme indiqué sur la plaque signalétique.

Votre agent effectue les commandes auprès de JAC.

9.1 Liste des CONSOMMABLES

REFERENCE	NOUVEAU LIBELLE	MODELE
F1500009	JOINT DE COUVERCLE	DIV-R, TRADIFORM
F1500004	RESSORT DE COUVERCLE	DIV, DIV-R, DIVIFORM+, TRADIFORM
F1513364	RESSORT CLICK&CUT DROIT	DIVIFORM, DIVIFORM+, TRADIFORM
10040012	PLAQUE D'USURE	DIV, DIV-R, DIVIFORM+, TRADIFORM
HUILEHYDROS46	HUILE HYDRAULIQUE	TOUTES
F140000311	EXCENTRIQUE DOUBLE	DIV, DIV-R, DIVIFORM+, TRADIFORM
F1513326	AXE VERROUILLAGE	DIVIFORM, DIVIFORM+, TRADIFORM

ATTENTION : La machine doit obligatoirement être mise hors tension pour toute intervention.

Problème	Vérification
Problème 1 : La machine ne se met pas en route	Ouvrez immédiatement le couvercle, afin de ne pas laisser la pâte fermenter à l'intérieur de la cuve. (Si la poignée est difficile à ouvrir manuellement, référez-vous au Problème 7.) Vérifier l'alimentation générale et celle du moteur Vérifier si le relais thermique s'est déclenché
Problème 2 : La centrale hydraulique se met en route mais les taloches ne montent pas	Inverser 2 phases sur la prise de la machine
Problème 3 : La machine manque de puissance	Vérifier le niveau d'huile. Le niveau doit se situer entre 4 et 5 cm du bord supérieur
Problème 4 : Les taloches montent mais les couteaux ne sortent pas	Contactez votre technicien
Problème 5 : Présence d'huile au sol	Contactez votre technicien
Problème 6 : Le couvercle ne peut pas être ouvert, ou La pâte a été laissée sans surveillance dans la cuve fermée	N'essayez pas de forcer l'ouverture du couvercle. Ne manipulez pas la machine à plus d'une personne. N'utilisez pas d'outil pour forcer l'ouverture du couvercle. Si de la pâte a fermenté plus de quelques minutes dans la cuve, soyez vigilant en essayant d'ouvrir le couvercle. Restez à distance de la trajectoire d'ouverture du couvercle. Si le couvercle ne peut pas être ouvert suivant les instructions de la notice d'utilisation, veuillez contacter votre technicien. Restez à distance de la trajectoire d'ouverture du couvercle jusqu'à l'intervention du technicien.
Problème 7 : En cas de coupure de courant	Ouvrez immédiatement le couvercle, afin de ne pas laisser la pâte fermenter à l'intérieur de la cuve. (Si la poignée est difficile à ouvrir manuellement, référez-vous au Problème 6.)



Si le problème persiste, veuillez contacter votre technicien.

11 LISTE DES COMPOSANTS SUR LES FIGURES

Figure	Bulle	Nom
1	1	Couvercle
	2	Joint de couvercle
	3	Cuve
	4	Taloches
	5	Evacuation de farine
	6	Poignée de manutention
	7	Roulettes freinées
	8	Poignée de fermeture du couvercle
	9	Excentrique de fermeture du couvercle
	10	Encadrement de grille
	11	Poignée de porte
	12	Compartiment de réglage de la pression
2	13	Couteaux
3	14	Nettoyage des couteaux (DIV, DIV-R et TRADIFORM uniquement)
	15	Bouton de sélection 10/20 (option 10/20)
	16	Arrêt d'urgence
	17	Levier de commande
4	18	Zone de travail
7	19	Bac de récupération de farine
	20	Réglage de la pression
13	21	Pictogramme signalant un risque d'électrocution
	22	Schéma électrique
	23	Pictogramme signalant un risque d'écrasement
14	24	Zone de remplissage du farineur Easyflour
	25	Curseur de réglage du débit du farineur Easyflour

1	VOR DER INBETRIEBNAHME	30
2	GARANTIE	30
3	WARNHINWEISE	32
4	TECHNISCHE DATEN	33
4.1	<i>Technische Daten</i>	33
4.2	<i>Material der Teile, die in Kontakt mit dem Teig kommen</i>	33
5	INSTALLATION UND INBETRIEBNAHME	34
5.1	<i>Auspacken der Maschine</i>	34
5.2	<i>Aufstellung</i>	34
5.3	<i>Elektrischer Anschluss</i>	34
5.4	<i>Inbetriebnahme</i>	35
5.5	<i>Gefahr</i>	35
6	BEDIENELEMENT UND SICHERHEITSVORRICHTUNG	36
6.1	<i>Bedienelement</i>	36
6.2	<i>Einstellbereich</i>	36
6.3	<i>Arbeitsbereich</i>	36
7	BEDIENUNG	36
8	INSTANDHALTUNG	38
8.1	<i>Taglich durch einen eingewiesenen Bediener</i>	38
8.2	<i>Wochentlich durch einen eingewiesenen Bediener</i>	38
8.3	<i>Jahrlich durch einen zugelassenen Vertreter</i>	38
9	ERSATZTEILE	39
9.1	<i>Liste der ERSATZTEILE</i>	39
10	STORUNGEN UND FEHLER	40
11	LISTE DER ABGEBILDETEN TEILE UND FUNKTIONEN	41

1 VOR DER INBETRIEBNAHME

Vielen Dank, dass Sie sich für ein Gerät von JAC entschieden haben. Bitte lesen Sie diese Bedienungsanleitung vor der Installation und Inbetriebnahme dieser Maschine aufmerksam durch. Dies dient zu Ihrer Sicherheit und zum Schutz der Maschine vor Schäden.

Diese Bedienungsanleitung enthält Verweise auf verschiedene Abbildungen, die das Verständnis der Anleitungen erleichtern. Die Abbildungen befinden sich am Schluss der Bedienungsanleitung. Bitte schlagen Sie die jeweilige Abbildung anhand des angegebenen Verweises (Fig. x Nr. y) nach.

Damit Sie sich viele Jahre an dieser Maschine erfreuen können, möchten wir Sie bitten, die folgenden Hinweise zu berücksichtigen:

- Lassen Sie sich bei der Installation, der Inbetriebnahme und der weiteren Nutzung von Ihrem zugelassenen Vertreter unterstützen.

- Um die Garantie von 5 Jahren (siehe nachfolgende Garantiebestimmungen) in Anspruch nehmen zu können, lassen Sie bitte von Ihrem Vertreter bei der Installation Ihrer Maschine das Wartungsheft ausfüllen.

2 GARANTIE



JAC bietet 5 Jahre Garantie auf all seine Produkte.

Diese Garantie gilt für alle Teile Ihrer Maschine, einschließlich elektronischer Bauteile, außer Ersatzteile. Die Garantiefrist beginnt zum Zeitpunkt der Installation der Anlage.

Es gelten die folgenden Beschränkungen:

- Das Produkt wurde bei einem zugelassenen Vertragshändler erworben:
- Die Installation wurde von einem zugelassenen Vertreter vorgenommen.
- Das Produkt wurde im Rahmen seines bestimmungsgemäßen Gebrauchs und entsprechend der Bedienungsanleitung verwendet.
- Das Produkt wurde täglich entsprechend den Vorgaben der Bedienungsanleitung instandgehalten.
- Die Wartung wird durch einen zugelassenen Vertreter entsprechend den Wartungsvorgaben durchgeführt und findet mindestens einmal jährlich statt (auf Kosten des Benutzers).
- Es werden ausschließlich Originalersatzteile von JAC verwendet.



Falls keine Wartung durch einen zugelassenen Vertreter erfolgt, ist die Garantie auf ein Jahr begrenzt.

Diese Garantie deckt nicht:

- den Austausch von Ersatzteilen (siehe Abschnitt 9)
- Teile, die unser Kundendienst nicht als defekt anerkennt
- Probleme, die sich aus einer ungewöhnlichen Nutzung des Produktes ergeben
- Probleme, die darauf zurückzuführen sind, dass die Installation nicht durch einen zugelassenen Vertreter durchgeführt wurde
- Beschädigungen oder Probleme, die auf einen Transportschaden oder auf die unsachgemäße Handhabung des Produktes zurückzuführen sind

Die Durchführung einer Reparatur und/oder der Austausch defekter Teile während der Garantiefrist führen nicht zur Verlängerung der Garantiefrist.

Bitte bewahren Sie diese Bedienungsanleitung unbedingt zusammen mit der Maschine zum späteren Nachlesen auf. Bei Verkauf oder Weitergabe der Maschine übergeben Sie bitte diese Bedienungsanleitung an den neuen Besitzer bzw. Benutzer, damit dieser über die Funktionsweise der Maschine und die Warnhinweise informiert ist und diese befolgen kann.



Diese Warnhinweise dienen Ihrer Sicherheit und der Sicherheit anderer. Bitte lesen Sie die Warnhinweise vor der Installation und Benutzung der Maschine aufmerksam durch.

Diese Maschine ist für die Verwendung durch befugte und geschulte erwachsene Personen bestimmt. Stellen Sie sicher, dass die Maschine nicht von Kindern angefasst oder als Spielzeug benutzt wird.

Diese Maschine ist ausschließlich für den professionellen Einsatz vorgesehen.

Die Modifizierung und der Versuch der Modifizierung der Eigenschaften und Merkmale dieser Maschine ist gefährlich.

Stellen Sie nach der Installation dieser Maschine sicher, dass diese nicht auf dem Netzkabel steht.

Befolgen Sie stets die Anleitungen zur Bedienung und Benutzung.

Die Maschine ist in einem Innenraum und vor Feuchtigkeit und Hitze geschützt aufzustellen.

Die Maschine muss im Betrieb ausreichend ausgeleuchtet sein.

Der Geräuschpegel der Maschine liegt unter 75 dB(A) und entspricht damit der Norm EN ISO 3744.

Die Maschine darf nicht von mehreren Personen gleichzeitig benutzt werden.

(DIVIFORM, DIVIFORM+, TRADIFORM) Verwenden Sie niemals mehr als eine Pressplatte gleichzeitig. Schichten Sie im Trog niemals mehrere Pressplatten übereinander.

Lassen Sie den Teig niemals länger im Trog, als für die Verfahren erforderlich ist. Öffnen Sie den Deckel stets unmittelbar nach dem vorhergehenden Bedienschritt.



Der Teig ist ein natürliches und lebendiges Produkt, welches während der Fermentierung aufgeht. Wenn der fermentierte Teig länger als einige Minuten im Trog gelassen wird, kann er dadurch einen starken Druck auf den Deckel ausüben. Dieser Druck könnte eine heftige Bewegung des Deckels bei dessen Öffnen bewirken.

Niemals ein Werkzeug verwenden, um das Öffnen des Deckels zu erzwingen.



Vor Reinigungsarbeiten innen und außen am Gerät und vor Wartungsarbeiten immer den Stecker aus der Steckdose ziehen (vgl. Abschnitt 8).

Diese Anlage ist sehr schwer. Beim Transport und Bewegen der Anlage sind angemessene Vorsichtsmaßnahmen zu ergreifen.

4 TECHNISCHE DATEN

4.1 Technische Daten

	DIV	DIV-R	DIVIFORM	DIVIFORM+	TRADIFORM
Höhe geöffneter Deckel und Rahmen (mm)	1759	1759	1604	1759	1759
Breite (mm)	600	600	832	832	832
Tiefe (mm)	772	772	732		772
Verpackungsmaße (mm)	800 x 880 x 1250	800 x 880 x 1250	800 x 880 x 1250	800 x 880 x 1250	800 x 880 x 1250
Nettogewicht (kg)	Runder Trog: 315 Viereckiger Trog: 300	Runder Trog: 320 Viereckiger Trog: 305	260	285	315
Nettogewicht + Verpackung (kg)	Runder Trog: 335 Viereckiger Trog: 320	Runder Trog: 340 Viereckiger Trog: 325	280	305	335
Motorleistung (kW)	50Hz: 1,5 60Hz: 1,8	50Hz: 1,5 60Hz: 1,8	50Hz: 1,5 60Hz: 1,8	50Hz: 1,5 60Hz: 1,8	50Hz: 1,5 60Hz: 1,8
Motortyp	Dreiphasig	Dreiphasig	Dreiphasig	Dreiphasig	Dreiphasig
220V (A)	50Hz: 8 60Hz: 11	50Hz: 8 60Hz: 11	50Hz: 8 60Hz: 11	50Hz: 8 60Hz: 11	50Hz: 8 60Hz: 11
380V (A)	50Hz: 4,5 60Hz: 6,5	50Hz: 4,5 60Hz: 6,5	50Hz: 4,5 60Hz: 6,5	50Hz: 4,5 60Hz: 6,5	50Hz: 4,5 60Hz: 6,5
Taktung bei der Teilung/Formgebung (Stück/h)			Zwischen 400 und 3000 je nach Gitter	Zwischen 400 und 3000 je nach Gitter	Zwischen 400 und 3000 je nach Gitter
Taktung bei der Teigteilung im Trog	900	900			900
Gewicht der Teiglinge bei der Teilung/Formgebung min./max. (g)			19 bis 2500 je nach Gitter	19 bis 2500 je nach Gitter	19 bis 2500 je nach Gitter
Gewicht der Teiglinge bei der Teilung im Trog min./max. (g)	150/950 300/1900 bei Option 10/20	150/950 300/1900 bei Option 10/20			150/950 300/1900 bei Option 10/20
Fassungsvermögen des Trogs (in kg)	19	19	5	5	19 bei Teilung im Trog 5 bei Teilung Formgebung

Damit die Maschine optimal funktioniert, muss der Feuchtigkeitsgehalt mindestens 55 % bei der Teilung im Trog und 70 % bei der Teilung/Formgebung betragen.

4.2 Material der Teile, die in Kontakt mit dem Teig kommen

Viereckiger Trog: Edelstahl 304

Runder Trog: Gusseisen FGL200

Gusswannen rechteckiger Trog: GHA-beschichtetes Aluminium

Gusswannen runder Trog: mit Teflon beschichtetes Gusseisen

Messer: EDELSTAHL 304

Deckel: Aluminium AlSi10Mg

Standardgitter: EDELSTAHL 430 mit Teflonbeschichtung

Profilgitter: EDELSTAHL 430 mit Teflonbeschichtung + EN AW-6060

Pressplatte: PE-UHMW

5.1 Auspacken der Maschine

Unsere Maschinen werden zur Lieferung ab Werk auf Paletten verpackt, mit Umreifungsbändern gesichert und mit einer Kartonverpackung geschützt. Prüfen Sie die Verpackung bei Erhalt auf Beschädigungen und teilen Sie dem Spediteur etwaige Transportschäden direkt mit.

- A. Den Karton entfernen.
- B. Die seitlichen Türen von der Maschine entfernen, um Zugang zu den Schrauben zu haben, mit denen die Maschine auf der Palette gesichert ist.
- C. Die 2 Schrauben zur Sicherung der Maschine lösen und die Maschine von der Palette entfernen (Fig.5).
- D. Heben Sie die Maschine von der Palette. Dies muss durch mindestens zwei Personen erfolgen, so dass die Maschine möglichst sicher auf dem Boden abgesetzt werden kann.
- E. (**TRADIFORM / DIVIFORM / DIVIFORM+**) Den Rahmen auf den Träger aufsetzen (Fig.6).
- F. (**Option EASYFLOUR**) Bemehler einsetzen und mit Mehl befüllen (Fig.6)

Die Maschine nach dem Auspacken auf Transportschäden überprüfen. Melden Sie uns bitte alle Fehler und Schäden.

5.2 Aufstellung

Um eine hohe Leistung, eine lange Lebensdauer und einen zuverlässigen Betrieb sicherzustellen, sollte der Aufstellort wie folgt beschaffen sein:

Gut belüftet, vor direkter Sonneneinstrahlung geschützt, in ausreichender Entfernung zu Wärmequellen, auf einem ebenen, tragfähigen und schwingungsfreien Boden.

5.3 Elektrischer Anschluss

WICHTIG: Die Maschine muss geerdet werden.

Wir empfehlen den Schutz der Anlage durch eine Sicherung und einen FI-Schutzschalter.

Ihr Stromnetz zur Versorgung der Maschine muss folgendermaßen geschützt werden:

- Nordamerika: Schutz 15 A;
- Rest der Welt: Schutz 16 A.

Maschinen mit Frequenzregler müssen auf jeden Fall an eine Abzweigdose mit einem FI-Schutzschalter vom Typ B für 300 mA angeschlossen werden.

Hinweis: Probleme und Störungen durch eine abweichende Ausführung des Anschlusses sind nicht durch die Garantie gedeckt.

Prüfen Sie vor dem Anschließen der Maschine an das Stromnetz unbedingt, ob die Spannungsversorgung für die Maschine geeignet ist (siehe Angaben auf dem Typenschild), um eine Außerbetriebnahme beim Einschalten zu vermeiden.

Dieses Gerät entspricht den Maschinenrichtlinien 2006/42/EG, 2014/35/EU, 2014/30/EU und ist daher mit dem CE-Zeichen gekennzeichnet.

Bitte beachten Sie die an der Maschine angebrachten Warnsymbole:



Piktogramm Stromschlaggefahr. Die Maschine vor jedem Eingriff vom Stromnetz nehmen. Das Piktogramm befindet sich innen in der Maschine auf dem Schaltkasten (Fig.13, Nr.21)

Der Schaltplan der Maschine befindet sich auf der Innenseite der linken Tür des Teigtellers (Fig.13 Nr.22).



Piktogramm Quetschgefahr. Vor jedem Eingriff an der Maschine muss der Netzstecker gezogen werden. Dieses Piktogramm finden Sie an den seitlichen Türen (Fig.13 Nr.23).

5.4 Inbetriebnahme

Stellen Sie vor der Inbetriebnahme sicher, dass sich keine Fremdkörper auf den beweglichen Teilen der Maschine befinden.

Zunächst (nach Überprüfung der elektrischen Übereinstimmung) sicherstellen, dass der Motor in die richtige Richtung dreht. Dazu müssen die Gusswannen nach oben bewegt werden, wenn Sie den Bedienhebel zu sich ziehen. Ist dies nicht der Fall, den Stecker ziehen und die beiden Phasen darin umkehren.

Weitere Informationen zur Benutzung der Maschine finden Sie im Abschnitt „Bedienung“.

5.5 Gefahr

Bei einer akuten Gefahr für Bediener oder Maschine schalten Sie die Maschine mit dem Not-Aus aus.

Vor Wartungs- oder Instandhaltungsarbeiten immer den Stecker aus der Steckdose ziehen.

Wartungsarbeiten und der Austausch von Teilen dürfen nur von einem zugelassenen Vertreter vorgenommen werden.

6.1 **Bedienelement**

Ihre Maschine ist serienmäßig mit einem Pult für die mechanische Bedienung ausgestattet (Fig.3).

6.2 **Einstellbereich**

Der Einstellbereich für die Druckregelung und das Mehlauffangsystem befindet sich an der Vorderseite der Maschine (Fig. 7).

6.3 **Arbeitsbereich**

Der Arbeitsbereich befindet sich an der Vorderseite der Maschine (Fig.4).

7 **BEDIENUNG**

Verwendung Schneiden im Trog (nur DIV, DIV-R, TRADIFORM) (Fig.8, 9)

- A. Den Not-Aus-Schalter (Fig.3, Nr.16), sofern er nicht betätigt ist, um eine 1/4-Umdrehung nach rechts drehen.
- B. Den Deckel öffnen (falls der Deckel schwer zu öffnen ist, erhalten Sie dazu Hinweise im Abschnitt 10 „Störungen und Fehler“).
- C. Soweit erforderlich, die Gusswannen im Trog leicht bemehlen.
- D. Teig in den Trog geben und grob mit der Hand verteilen.
- E. Soweit erforderlich, die Oberseite des Teigs leicht bemehlen.
- F. **(DIV-R und TRADIFORM)** Der Stapeldruck lässt sich mit dem Griff an der Vorderseite einstellen.
- G. Mit der **Option 10/20** können Sie mit dem Wahlschalter an der Vorderseite einstellen, ob der Teig in 10 oder 20 Teiglinge geteilt wird.
- H. Den Trogdeckel schließen.
- I. Am Bedienhebel ziehen, um die Gusswannen nach oben zu bewegen und den Teig zu teilen.
- J. Leicht gegen den Hebel drücken, um Druck entweichen zu lassen und den Deckel zu öffnen.
- K. Den Deckel öffnen.
- L. Am Hebel ziehen, um die Gusswannen nach oben zu bewegen, um die Teiglinge entnehmen zu können.

Mit dem Not-Aus-Schalter kann ein Zyklus unterbrochen werden.

Verwendung Teigteilung/Formgebung (nur DIVIFORM, DIVIFORM+, TRADIFORM) (Fig.10, 11)

- A. Den Not-Aus-Schalter (Fig.3, Nr.16), sofern er nicht betätigt ist, um eine 1/4-Umdrehung nach rechts drehen.
- B. **(DIVIFORM+, TRADIFORM)** Den Deckel öffnen und die Pressplatte auf dem Boden des Trogs absetzen (falls der Deckel schwer zu öffnen ist, erhalten Sie dazu Hinweise im Abschnitt 10 "Störungen und Fehler".)
Verwenden Sie niemals mehr als eine Pressplatte gleichzeitig. Schichten Sie im Trog niemals mehrere Pressplatten übereinander.
- C. Soweit erforderlich, die Oberseite der Pressplatte leicht bemehlen.
- D. Teig in den Trog geben und grob mit der Hand verteilen.
- E. Soweit erforderlich, die Oberseite des Teigs leicht bemehlen.
- F. **(TRADIFORM)** Der Stapeldruck lässt sich mit dem Griff an der Vorderseite einstellen.
(DIVIFORM+) Der Stapeldruck lässt sich mit dem Griff neben dem Teigteller einstellen.
(DIVIFORM) Zum Schritt K wechseln.
- G. Den Deckel schließen.

- H. Am Bedienhebel ziehen, um die Gusswannen nach oben zu bewegen und den Teig zu teilen.
- I. Leicht gegen den Hebel drücken, um Druck entweichen zu lassen und den Deckel zu öffnen.
- J. Den Deckel öffnen.
- K. Den Rahmen schließen.
- L. Am Hebel ziehen, um den Teig zu teilen.
- M. Leicht gegen den Hebel drücken, um Druck entweichen zu lassen und den Rahmen zu öffnen.
- N. Den Rahmen öffnen.
- O. Am Hebel ziehen, um die Gusswannen nach oben zu bewegen, um die Teiglinge entnehmen zu können.

Mit dem Not-Aus-Schalter kann ein Zyklus unterbrochen werden.

Verfahren zum Austausch des Gitters Click&Cut-System (nur DIVIFORM, DIVIFORM+, TRADIFORM) (Fig.12)

- A. Den Not-Aus-Schalter betätigen.
- I. Den Rahmen schließen.
- J. Den Gitterbereich über das Schloss auf der linken Rahmenseite öffnen.
- K. Die Klappe zum Gitterbereich öffnen.
- L. Das alte Gitter herausnehmen.
- M. Das neue Gitter einsetzen.
- N. Die Klappe zum Gitterbereich wieder schließen.
- O. Den Not-Aus-Schalter um eine 1/4-Umdrehung nach rechts drehen.

Befüllen des Easyflour-Bemehlers (OPTION EASYFLOUR) (Fig. 14)

- A. Öffnen Sie den Deckel des Bemehlers.
- B. Füllen Sie Mehl in den Behälter des Bemehlers ein (Fig.14, Nr.°24).
- C. Schließen Sie den Deckel des Bemehlers.
- D. Stellen Sie die Leistung des Bemehlers mit dem Cursor ein (Fig.14, Nr.°25).

8.1 Täglich durch einen eingewiesenen Bediener

(Fig.15)

- A. Gusswannen und Messer absenken und den Trog und den Deckel reinigen.
- B. Drücken Sie die Taste zur Messerreinigung, damit die Messer hochgefahren werden.
- C. Das Not-Aus betätigen, die Maschine vom Stromnetz nehmen und die Messer reinigen.
- D. Das Not-Aus zurücksetzen und die Maschine wieder an das Stromnetz anschließen.
- E. Am Hebel ziehen, um die Gusswanne nach oben zu bewegen und Teig- und Mehreste absaugen.

8.2 Wöchentlich durch einen eingewiesenen Bediener

(Fig.16)

- A. Drücken Sie die Taste zum Hochfahren der Messer, damit die Messer hochgefahren werden.
- B. Das Not-Aus betätigen, die Maschine vom Stromnetz nehmen und seitliche Türen mit einem Schraubendreher abnehmen.
- C. Gesamten Innenbereich und alle mechanischen Teile der Maschine absaugen.
- D. Seitliche Türen wieder einsetzen und den Mehlauffangbehälter ausleeren.
- E. Das gesamte Gehäuse mit einem weichen Tuch abwischen.
- F. Das Not-Aus zurücksetzen und die Maschine wieder an das Stromnetz anschließen.

8.3 Jährlich durch einen zugelassenen Vertreter

- A. Die Gusswannen absenken.
- B. Not-Aus-Schalter betätigen, die Maschine vom Stromnetz nehmen und die rechte seitliche Tür mit einem Schraubendreher abnehmen.
- C. Den Ölstand überprüfen (der Ölstand muss zwischen 4 und 5 cm entfernt vom oberen Rands des Alubügels stehen).

HINWEIS: Im Folgenden haben wir eine unvollständige Liste mit kompatiblen Hydraulikölen zusammengestellt.

CONDAT	HYDROLUB S46
ELF	HYDRELF DS46
CASTROL	AYSPIN AWS46
TOTAL	AZOLLA ZS32

- D. Das Not-Aus zurücksetzen und die Maschine wieder an das Stromnetz anschließen.
- E. Hier bitte sicherstellen, dass Ihr zugelassener Vertreter diese Maßnahmen festhält, um Ihren Garantieanspruch von fünf Jahren zu erhalten.

9 ERSATZTEILE

Bitte lassen Sie bei der Bestellung von Ersatzteilen von Ihrem Vertreter anhand des Ersatzteilkatalogs des Herstellers prüfen, um welche Teile es sich genau handelt. Dabei stets die Maschinenummer auf dem Typenschild mitteilen. Ihr Vertreter bestellt das Ersatzteil dann bei JAC.

9.1 Liste der ERSATZTEILE

NAME	NEUE BEZEICHNUNG	MODELL
F1500009	DECKELDICHTUNG	DIV-R, TRADIFORM
F1500004	FEDER DES DECKELS	DIV, DIV-R, DIVIFORM+, TRADIFORM
F1513364	FEDER DES DECKELS CLICK&CUT DR	DIVIFORM, DIVIFORM+, TRADIFORM
10040012	VERSCHLEISSPLATTE	DIV, DIV-R, DIVIFORM+, TRADIFORM
HUILEHYDROS46	HYDRAULIKÖL	TOUTES
F140000311	DOPPELEXZENTER	DIV, DIV-R, DIVIFORM+, TRADIFORM
F1513326	VERRIEGELUNGSACHSE	DIVIFORM, DIVIFORM+, TRADIFORM

ACHTUNG: Vor jedem Eingriff an der Maschine ist die Maschine zwingend von der Stromversorgung zu trennen.

Problem	Fehlersuche
Problem 1: Die Maschine lässt sich nicht einschalten.	Sofort den Deckel öffnen, damit der Teig im Troginneren nicht fermentiert. (Falls der Griff von Hand schwer zu öffnen ist, richten Sie sich nach Problem 7.) Die allgemeine Versorgung und die Versorgung des Motors überprüfen. Überprüfen, ob das Thermorelais geschaltet hat.
Problem 2: Die Hydraulikzentrale schaltet zu, aber die Gusswannen bewegen sich nicht nach oben	Die beiden Phasen am Maschinenanschluss umkehren.
Problem 3: Die Maschine hat nicht genug Leistung	Den Ölstand überprüfen. (Der Ölstand muss zwischen 4 und 5 cm vom oberen Rand entfernt stehen).
Problem 4: Die Gusswannen bewegen sich nach oben, aber die Messer fahren nicht aus	Wenden Sie sich bitte an Ihren Servicetechniker.
Problem 5: Ölsuren am Boden	Wenden Sie sich bitte an Ihren Servicetechniker.
Problem 6: Der Deckel kann nicht geöffnet werden oder Der Teig wurde ohne Überwachung im geschlossenen Trog gelassen	Nicht versuchen, das Öffnen des Deckels zu erzwingen. Die Maschine nicht mit mehr als einer Person bedienen. Kein Werkzeug verwenden, um das Öffnen des Deckels zu erzwingen. Falls der Teig länger als einige Minuten im Trog fermentiert hat, müssen Sie beim Versuch, den Deckel zu öffnen, gut aufpassen. Halten Sie Abstand zum Öffnungsweg des Deckels. Falls der Deckel nicht gemäß den Anweisungen der Bedienungsanleitung geöffnet werden kann, wenden Sie sich bitte an Ihren Servicetechniker. Bleiben Sie bis zum Eingriff
Problem 7: Bei einem Stromausfall	Sofort den Deckel öffnen, damit der Teig im Troginneren nicht fermentiert. (Falls der Griff von Hand schwer zu öffnen ist, richten Sie sich nach Problem 6.)



Bei Anhalten des Problems wenden Sie sich bitte an Ihren Servicetechniker.

11 LISTE DER ABGEBILDETEN TEILE UND FUNKTIONEN

Abbildung	Nummer	Name
1	1	Deckel
	2	Deckeldichtung
	3	Trog
	4	Gusswannen
	5	Mehlaustrag
	6	Tragegriff
	7	Rollen mit Bremse
	8	Schließhebel des Deckels
	9	Deckelverschlussexzenter
	10	Gitterrahmen
	11	Türgriff
	12	Druckregelungsschalter
2	13	Messer
3	14	Messerreinigung (nur DIV, DIV-R und TRADIFORM)
	15	Wahlschalter 10/20 (Option 10/20)
	16	Not-Aus
	17	Bedienhebel
4	18	Arbeitsbereich
7	19	Mehlauffangbehälter
	20	Druckregelung
13	21	Piktogramm Stromschlaggefahr
	22	Schaltplan
	23	Piktogramm Quetschgefahr.
14	24	Befüllvorrichtung für Easyflour-Bemehler
	25	Einstellcursor für die Leistung des Easyflour-Bemehlers

1	VÓÓR DE INBEDRIJFSTELLING	44
2	GARANTIE	44
3	WAARSCHUWINGEN	46
4	TECHNISCHE GEGEVENS	47
4.1	<i>Technische kenmerken</i>	47
4.2	<i>Materialen die in direct contact met het deeg komen</i>	47
5	INSTALLATIE EN INBEDRIJFSTELLING	48
5.1	<i>De machine uit de verpakking halen</i>	48
5.2	<i>Plaatsing</i>	48
5.3	<i>Elektrische aansluiting</i>	48
5.4	<i>Inbedrijfstelling</i>	49
5.5	<i>Gevaar</i>	49
6	BEDIENINGS- EN VEILIGHEIDSAPPARAAT	50
6.1	<i>Bedieningsapparaat</i>	50
6.2	<i>Afstelzone</i>	50
6.3	<i>Werkzone</i>	50
7	GEBRUIK	50
8	ONDERHOUD	52
8.1	<i>Dagelijks door een opgeleide gebruiker</i>	52
8.2	<i>Wekelijks door een opgeleide gebruiker</i>	52
8.3	<i>Jaarlijks door een erkende dealer</i>	52
9	VERBRUIKSGOEDEREN	53
9.1	<i>Lijst met VERBRUIKSGOEDEREN</i>	53
10	FUNCTIONERINGSINCIDENTEN	54
11	LIJST MET ONDERDELEN OP DE AFBEELDINGEN	55

1 VÓÓR DE INBEDRIJFSTELLING

Bedankt voor uw keuze van een JAC-oplossing. Neem deze gebruikershandleiding grondig door voordat u deze machine installeert en in werking stelt. Zo kunt u zich beschermen en schade aan uw machine vermijden.

Deze handleiding verwijst naar diverse afbeeldingen zodat u de instructies beter kunt begrijpen. Deze afbeeldingen bevinden zich op het einde van de handleiding. Raadpleeg ze wanneer u de volgende symbolen tegenkomt (fig.x, n°y).

Om in de volgende jaren uw machine tot volledige tevredenheid te kunnen gebruiken, raden we u aan om de volgende adviezen na te leven:

- Doe een beroep op uw erkende dealer voor de installatie, inbedrijfstelling en follow-up.
- Om te kunnen genieten van de garantie van vijf jaar (zie verder voor de voorwaarden), moet u bij de installatie van uw machine het onderhoudsboekje laten invullen door uw verdeler.

2 GARANTIE



JAC biedt een garantie van vijf jaar op al zijn producten.

Deze garantie is geldig voor alle onderdelen van uw machine, inclusief de elektronische, maar uitgezonderd de verbruiksgoederen. De garantie gaat in op de installatiedatum van het materiaal.

Onder de volgende beperkende voorwaarden:

- Het materiaal moet bij een erkende verdeler zijn aangekocht.
- De installatie moet door een erkende dealer zijn uitgevoerd.
- Het materiaal moet worden gebruikt in overeenstemming met de aanwijzingen in de gebruikershandleiding en voor het doel waarvoor het werd geproduceerd.
- Het materiaal moet dagelijks worden onderhouden in overeenstemming met de aanwijzingen in de gebruikershandleiding.
- Ten minste een keer per jaar moet onderhoud worden uitgevoerd door de erkende dealer en dit in overeenstemming met de onderhoudsspecificaties (onderhoud ten laste van de gebruiker).
- Alleen originele JAC-onderdelen mogen worden gebruikt.



Als er geen onderhoud wordt uitgevoerd door een erkende dealer, is de garantie beperkt tot één jaar.

De volgende zaken vallen niet onder deze garantie:

- De vervanging van verbruiksgoederen (§9).
- Defecte stukken die door onze diensten niet worden erkend.
- Problemen ten gevolge van een abnormaal gebruik van het materiaal.
- Problemen doordat de installatie niet door een erkende dealer is uitgevoerd.
- De onderdelen of problemen die het gevolg zijn van transportschade of een ongepaste behandeling.

Een reparatie en/of een vervanging van defecte onderdelen tijdens de garantieperiode verlengt deze garantie niet.

Het is heel belangrijk dat deze gebruikershandleiding bij het apparaat wordt bewaard zodat ze later kan worden geraadpleegd. Als dit apparaat wordt verkocht of aan een andere persoon wordt overgedragen, zorg er dan voor dat de gebruikershandleiding wordt overhandigd zodat de gebruiker op de hoogte is van de werking ervan en van de daarin vermelde waarschuwingen.



Deze waarschuwingen worden gegeven voor uw veiligheid en die van anderen. We vragen u dan ook ze aandachtig te lezen voordat u het apparaat installeert en gebruikt.

Deze machine werd ontworpen om door bevoegde en opgeleide volwassenen te worden gebruikt. Zorg er dus voor dat ze niet door kinderen wordt aangeraakt en dat ze het niet als speelgoed beschouwen.

Deze machine is uitsluitend voorbehouden voor professioneel gebruik.

Het is gevaarlijk om de eigenschappen van deze machine te wijzigen of te proberen wijzigen.

Zorg er na de installatie van deze machine voor dat ze niet op het netsnoer staat.

Volg de verstrekte gebruiksinstructies.

Deze machine moet worden bewaard en gebruikt in een ruimte die niet vochtig of warm wordt.

Deze machine moet voldoende verlicht zijn om het werk uit te voeren.

Deze machine heeft een geluidsniveau van minder dan 75 dB(A) conform de norm EN ISO 3744.

Deze machine moet door één enkele persoon tegelijkertijd worden gebruikt.

(DIVIFORM, DIVIFORM+, TRADIFORM) Gebruik nooit meer dan één persplaat tegelijkertijd. Plaats niet meerdere persplaten opeen in de kuip.

Laat deeg nooit langer in de kuip dan nodig is voor de procedures. Open het deksel altijd onmiddellijk na de vorige stap van de gebruiksaanwijzing.



Het deeg is een levend natuurlijk product dat tijdens het gisten opzwellt. Daarom kan gegist deeg dat langer dan enkele minuten in de kuip is gelaten een sterke druk op het deksel uitoefenen. Door deze druk kan het deksel hevig bewegen wanneer u het openmaakt.

Gebruik nooit gereedschap om de opening van het deksel te forceren.



Haal altijd de stekker uit het stopcontact voordat u de buiten- of binnenkant van het apparaat schoonmaakt of onderhoud uitvoert (zie hoofdstuk 8).

Dit apparaat is zwaar. Neem alle veiligheidsmaatregelen tijdens het onderhoud.

4 TECHNISCHE GEGEVENS

4.1 Technische kenmerken

	DIV	DIV-R	DIVIFORM	DIVIFORM+	TRADIFORM
Hoogte deksel en open kader (mm)	1759	1759	1604	1759	1759
Breedte (mm)	600	600	832	832	832
Diepte (mm)	772	772	732		772
Verpakking (mm)	800 x 880 x 1250	800 x 880 x 1250	800 x 880 x 1250	800 x 880 x 1250	800 x 880 x 1250
Nettogewicht (kg)	Ronde kuip: 315 Vierkante kuip: 300	Ronde kuip: 320 Vierkante kuip: 305	260	285	315
Nettogewicht + verpakking (kg)	Ronde kuip: 335 Vierkante kuip: 320	Ronde kuip: 340 Vierkante kuip: 325	280	305	335
Motorvermogen (kW)	50 Hz: 1,5 60 Hz: 1,8	50 Hz: 1,5 60 Hz: 1,8	50 Hz: 1,5 60 Hz: 1,8	50 Hz: 1,5 60 Hz: 1,8	50 Hz: 1,5 60 Hz: 1,8
Motortype	Driefasig	Driefasig	Driefasig	Driefasig	Driefasig
220 V (A)	50 Hz: 8 60 Hz: 11	50 Hz: 8 60 Hz: 11	50 Hz: 8 60 Hz: 11	50 Hz: 8 60 Hz: 11	50 Hz: 8 60 Hz: 11
380 V (A)	50 Hz: 4,5 60 Hz: 6,5	50 Hz: 4,5 60 Hz: 6,5	50 Hz: 4,5 60 Hz: 6,5	50 Hz: 4,5 60 Hz: 6,5	50 Hz: 4,5 60 Hz: 6,5
Tempo bij vormverdeling (stukken/u)			Tussen 400 en 3000 afhankelijk van het type rooster	Tussen 400 en 3000 afhankelijk van het type rooster	Tussen 400 en 3000 afhankelijk van het type rooster
Tempo bij vormverdeling in kuip	900	900			900
Min./max. gewicht (g) van de deegklompen bij vormverdeling			19 tot 2500 afhankelijk van het type rooster	19 tot 2500 afhankelijk van het type rooster	19 tot 2500 afhankelijk van het type rooster
Gewicht des deegbal en verdeling en kuip mini/maxi (g)	150/950 300/1900 bij optie 10/20	150/950 300/1900 bij optie 10/20			150/950 300/1900 bij optie 10/20
Capaciteit van de kuip (kg)	19	19	5	5	19 bij verdeling in kuip 5 bij vormverdeling

Voor een perfecte werking moet het hydratatiegehalte minimaal 55% bedragen bij verdeling in de kuip en minimaal 70% bij vormverdeling.

4.2 Materialen die in direct contact met het deeg komen

Vierkante kuip: INOX 304

Ronde kuip: Gietijzer FGL200

Afstrijkers van vierkante kuip: Bekleed aluminium GHA

Afstrijkers van ronde kuip: Gietijzer bekleed met teflon

Messen: INOX 304

Deksel: Aluminium AISi10Mg

Standaardrooster: Inox 430 met teflon bedekt

Profielrooster: Inox 430 met teflon bedekt + EN AW-6060

Persplaat: PE-UHMW

5.1 De machine uit de verpakking halen

De machines worden uit onze ateliers op paletten, verankerd en met karton beschermd geleverd. U moet eerst en vooral de verpakking bekijken en elke transportschade rechtstreeks aan de koerier melden.

- A. Haal het karton weg.
- B. Haal de laterale deuren van de machine af om toegang te krijgen tot de moeren die de machine op de pallet houden.
- C. Maak de machine los van de pallet door de twee schroeven los te draaien die de machine blokkeren (fig. 5).
- D. Haal de machine van de pallet. Doe dit met ten minste twee personen zodat de machine niet hard in contact komt met de grond.
- E. **(TRADIFORM / DIVIFORM / DIVIFORM+)** Plaats het kader op zijn ondersteuning (fig.6).
- F. **(Optie EASYFLOUR)** Plaats de bloemstrooier op zijn plaats en vul hem met bloem (fig.6).

Na het uitpakken van de machine moet u nakijken of ze tijdens het transport geen schade heeft opgelopen. Meld ons elke afwijking.

5.2 Plaatsing

Voor uitstekende prestaties en betrouwbaarheid op lange termijn moet u een plaats kiezen die:

Goed verlucht is, niet blootgesteld is aan direct zonlicht en uit de buurt is van warmtebronnen, met een vlak, stevig en trillingsvrij oppervlak.

5.3 Elektrische aansluiting

BELANGRIJK: Verplichte aarding.

Er wordt aangeraden om de installatie te beveiligen met een zekering en differentiaalschakelaar.

Uw elektriciteitsinstallatie die stroom levert aan de machine moet zoals hieronder aangegeven worden beveiligd:

- Noord-Amerika: Bescherming van 15 A
- Rest van de wereld: Bescherming van 16 A

De machines die uitgerust zijn met een regelaar moet verplicht worden aangesloten op een aftakdoos op een lijn die uitgerust is met een differentieel van type B van 300 mA.

Opmerking: Elk probleem dat te wijten is aan een andere soort aansluiting wordt niet gedekt door de garantie.

Voordat u de machine op het net aansluit en om een buitenbedrijfstelling van de motor bij het onder spanning zetten te vermijden, is het belangrijk dat u controleert of het elektriciteitsnet overeenstemt met de eigenschappen van de machine (zie het identificatieplaatje).

Dit apparaat is conform de machinerichtlijnen 2006/42, 2014/35, 2014/30 en draagt de CE-markering die van deze conformiteit getuigt.

Neem kennis van de veiligheidspictogrammen op de machine:



Pictogram dat wijst op elektrocutiegevaar. Schakel de machine voor elke interventie uit. Dit pictogram vindt u binnenin de machine op de schakelkast (fig.13, n°21).

U vindt het elektrische schema van de machine aan de binnenkant van de linkerdeur van de verdeler. (fig.13, n°22).



Pictogram dat wijst op gevaar op verplettering. Schakel de machine voor elke interventie uit. U vindt dit pictogram op de laterale deuren (fig.13, n°23).

5.4 Inbedrijfstelling

Zorg er vóór de inbedrijfstelling voor dat er zich geen enkel storend voorwerp bevindt op de bewegende onderdelen van de machine.

Wees er eerst zeker van (na controle van de elektrische overeenstemming) dat de motor in de goede richting draait. Daartoe moeten de afstrijkers omhooggaan wanneer u de bedieningshendel naar u toe trekt. Als dit niet het geval is, trek dan de stekker uit het stopcontact en keer de twee fasen erin om.

Raadpleeg het hoofdstuk "Gebruik" voor informatie over het gebruik van de machine.

5.5 Gevaar

Als er gevaar is voor de gebruiker of voor de machine, gebruikt u de noodstop om de machine te onderbreken.

Haal de stekker uit het stopcontact voordat u onderhoud uitvoert.

Elk onderhoud of vervanging van een onderdeel moet door een bevoegde dealer worden uitgevoerd.

6.1 **Bedieningsapparaat**

Uw machine is standaard uitgerust met een mechanisch bedieningspaneel (fig. 3).

6.2 **Afstelzone**

De zone voor de drukafregeling en het ophalen van het bloem bevindt zich aan de voorkant van de machine (fig.7).

6.3 **Werkzone**

De werkzone bevindt zich aan de voorkant van de machine (fig.4).

7 **GEBRUIK**

Gebruiksprocedure bij snijden in kuip (alleen DIV, DIV-R, TRADIFORM) (fig.8, 9)

- A. Draai de noodstopknop (fig.3, n°16) een kwartdraai naar rechts als deze niet ingeschakeld is.
- B. Open het deksel (als het deksel moeilijk te openen is, raadpleeg dan hoofdstuk 10 Functioneringsincidenten).
- C. Bestrooi de afstrijkers in de kuip indien nodig licht met bloem.
- D. Plaats het deeg in de kuip en verdeel het ruwweg met de hand.
- E. Bestrooi indien nodig het oppervlak van het deeg licht met bloem.
- F. **(DIV-R et TRADIFORM)** Regel de persdruk met de drukregelhendel aan de voorkant.
- G. Kies met **de optie 10/20** om te snijden in 10 of 20 verdelingen dankzij de keuzeschakelaar aan de voorkant.
- H. Sluit het deksel van de kuip.
- I. Trek aan de bedieningshendel om de afstrijkers omhoog te brengen en het deeg te verdelen.
- J. Druk kort op de hendel om de druk te verminderen zodat het deksel kan worden geopend.
- K. Open het deksel.
- L. Trek aan de hendel om de afstrijkers omhoog te brengen en de deegklompen te nemen.

Met de noodstopknop kunt u een lopende cyclus stoppen.

Gebruiksprocedure en verdeling vormgeving (alleen DIVIFORM, DIVIFORM+, TRADIFORM) (fig.10, 11)

- A. Draai de noodstopknop (fig.3, n°16) een kwartdraai naar rechts als deze niet ingeschakeld is.
- B. **(DIVIFORM+, TRADIFORM)** Open het deksel en plaats de persplaat op de bodem van de kuip (als het deksel moeilijk te openen is, raadpleeg dan hoofdstuk 10 Functioneringsincidenten).
Gebruik nooit meer dan één persplaat tegelijkertijd. Plaats niet meerdere persplaten open in de kuip.
- C. Bestrooi het oppervlak van de persplaat indien nodig licht met bloem.
- D. Plaats het deeg in de kuip en verdeel het ruwweg met de hand.
- E. Bestrooi indien nodig het oppervlak van het deeg licht met bloem.
- F. **(TRADIFORM)** Regel de persdruk met de drukregelhendel aan de voorkant.
(DIVIFORM+) Regel de persdruk met de drukregelhendel aan de zijkant van de verdeler.
(DIVIFORM) Ga naar stap K.
- G. Sluit het deksel.
- H. Trek aan de bedieningshendel om de afstrijkers omhoog te brengen en het deeg te verdelen.
- I. Druk kort op de hendel om de druk te verminderen zodat het deksel kan worden geopend.
- J. Open het deksel.
- K. Sluit het kader.

- L. Trek aan de hendel om het deeg te verdelen.
- M. Druk kort op de hendel om de druk te verminderen zodat het kader kan worden geopend.
- N. Open het kader.
- O. Trek aan de hendel om de afstrijkers omhoog te brengen en de deegklompen te nemen.

Met de noodstopknop kunt u een lopende cyclus stoppen.

Vervangprocedure voor het rooster met Click&Cut-systeem (alleen DIVIFORM, DIVIFORM+, TRADIFORM) (fig.12)

- A. Druk op de noodstopknop.
- B. Sluit het kader.
- C. Open het roostercompartiment met de klink aan de linkerkant van het kader.
- D. Open het luik van het roostercompartiment.
- E. Neem het oude rooster weg.
- F. Plaats het nieuwe rooster.
- G. Sluit het luik van het roostercompartiment.
- H. Draai de noodstopknop een kwartdraai naar rechts.

Procedure de bloemstrooier Easyflour te vullen (OPTIE EASYFLOUR) (fig.14)

- A. Open het deksel van de bloemstrooier.
- B. Giet de bloem in de vulzone van de bloemstrooier (fig.14, n°24).
- C. Sluit het deksel van de bloemstrooier.
- D. Stel het debiet van de bloemstrooier af met behulp van de schuifregelaar (fig.14, n°25).

8.1 Dagelijks door een opgeleide gebruiker

(fig.15)

- A. Plaats de afstrijkers en de messen in lage positie en maak de kuip en het deksel schoon.
- B. Druk op de knop voor het schoonmaken van de messen om de messen omhoog te halen.
- C. Schakel de noodstop in, schakel de machine uit en maak de messen schoon.
- D. Verwijder de noodstop en schakel de machine opnieuw in.
- E. Trek aan de hendel om de afstrijkers omhoog te halen en zuig de deeg- en bloemresten op.

8.2 Wekelijks door een opgeleide gebruiker

(fig.16)

- A. Druk op de knop voor het omhooghalen van de messen om de messen omhoog te halen.
- B. Schakel de noodstop in, schakel de machine uit en verwijder de laterale deuren met een schroevendraaier.
- C. Stofzuig alle interne onderdelen van de machine evenals de mechanische onderdelen.
- D. Plaats de laterale deuren opnieuw op hun plaats en maak de bloemopvangbak leeg.
- E. Was de hele carrosserie met behulp van een vochtige doek.
- F. Verwijder de noodstop en schakel de machine opnieuw in.

8.3 Jaarlijks door een erkende dealer

- A. Plaats de afstrijkers in de lage positie.
- B. Druk op de noodstopknop, schakel de machine uit en verwijder de laterale rechterdeur met een schroevendraaier.
- C. Controleer het oliepeil (het niveau moet zich op 4 tot 5 cm van de aluminiumflens bevinden.)

OPMERKING: Hieronder vindt u een onvolledige lijst van de compatibele hydraulische oliën:

CONDAT	HYDROLUB S46
ELF	HYDRELF DS46
CASTROL	AYSPIN AWS46
TOTAL	AZOLLA ZS32

- D. Verwijder de noodstop en schakel de machine opnieuw in.
- E. Controleer goed of uw erkende dealer zijn interventie heeft genoteerd zodat u uw garantie van vijf jaar behoudt.

9 VERBRUIKSGOEDEREN

Ga bij de bestelling van een wisselstuk met uw dealer na om welk stuk het gaat op basis van de wisselstukcatalogus van de fabrikant.

Geef altijd het machinenummer op zoals vermeld op het identificatieplaatje.

Uw dealer doet de bestellingen bij JAC.

9.1 Lijst met VERBRUIKSGOEDEREN

REFERENTIE	NIEUWE OMSCHRIJVING	MODEL
F1500009	DEKSELAFDICHTING	DIV-R, TRADIFORM
F1500004	DEKSELVEER	DIV, DIV-R, DIVIFORM+, TRADIFORM
F1513364	CLICK&CUT VEER RECHTS	DIVIFORM, DIVIFORM+, TRADIFORM
10040012	SLIJTPLAAT	DIV, DIV-R, DIVIFORM+, TRADIFORM
HUILEHYDROS46	HYDRAULISCHE OLIE	TOUTES
F140000311	DUBBEL EXCENTRISCH	DIV, DIV-R, DIVIFORM+, TRADIFORM
F1513326	ONTGREDELINGSAS	DIVIFORM, DIVIFORM+, TRADIFORM

OPGELET: De machine moet bij elke tussenkomst verplicht worden uitgeschakeld.

Probleem	Verificatie
Probleem 1: De machine start niet op	Open het deksel onmiddellijk zodat er geen deeg in de kuip kan gisten. (Als de hendel moeilijk handmatig te openen is, raadpleeg dan Probleem 7.) Controleer de algemene voeding en die van de motor. Controleer of het thermische relais is ingeschakeld.
Probleem 2: De hydraulische centrale gaat van start maar de afstrijkers komen niet omhoog	Keer twee fasen om op de stekker van de machine.
Probleem 3: De machine heeft onvoldoende vermogen	Controleer het oliepeil. Het niveau moet zich op 4 tot 5 cm van de bovenrand bevinden.
Probleem 4: De strijkers gaan omhoog maar de messen komen niet naar buiten	Neem contact op met uw technicus.
Probleem 5: Oliesporen op de grond	Neem contact op met uw technicus.
Probleem 6: Het deksel kan niet worden geopend, of Het deeg wordt zonder toezicht in de gesloten kuip gelaten	Probeer de opening van het deksel niet te forceren. Bedien de machine niet met meer dan één persoon. Gebruik geen gereedschap om de opening van het deksel te forceren. Als het deeg langer dan enkele minuten in de kuip heeft gegist, wees dan voorzichtig bij het openen van het deksel. Blijf op afstand van het openingstraject van het deksel. Als het deksel niet kan worden geopend volgens de instructies van de gebruikershandleiding, neem dan contact op met uw technicus. Blijf op afstand van het openingstraject van het deksel tot de technicus is tussengekomen.
Probleem 7: Wanneer er een stroompanne is	Open het deksel onmiddellijk zodat er geen deeg in de kuip kan gisten. (Als de hendel moeilijk handmatig te openen is, raadpleeg dan Probleem 6.)



Als het probleem zich blijft voordoen, neem dan contact op met uw technicus.

11 LIJST MET ONDERDELEN OP DE AFBEELDINGEN

Afbeelding	Bol	Naam
1	1	Deksel
	2	Dekselafdichting
	3	Kuip
	4	Afstrijkers
	5	Bloemafvoer
	6	Manipulatiegreep
	7	Wieltjes met rem
	8	Sluithendel van het deksel
	9	Excentrische sluiting van het deksel
	10	Kader van het rooster
	11	Deurklink
	12	Drukafregelingcompartiment
2	13	Messen
3	14	Schoonmaak van de messen (alleen DIV, DIV-R en TRADIFORM)
	15	Selectieknop 10/20 (optie 10/20)
	16	Noodstop
	17	Bedieningshendel
4	18	Werkzone
7	19	Bloemopvangbak
	20	Drukafregeling
13	21	Pictogram dat wijst op elektrocutiegevaar
	22	Elektrisch schema
	23	Pictogram dat wijst op gevaar op verplettering
14	24	Vulzone van de bloemstrooier Easyflour
	25	Debietregelaar van de bloemstrooier Easyflour

1	ПЕРЕД ВВОДОМ В ЭКСПЛУАТАЦИЮ	58
2	ГАРАНТИЯ	58
3	ПРЕДУПРЕЖДЕНИЯ	60
4	ТЕХНИЧЕСКИЕ ХАРАКТЕРИСТИКИ	62
4.1	<i>Технические характеристики</i>	62
4.2	<i>Данные о материалах, находящиеся в непосредственном контакте с тестом</i>	63
5	УСТАНОВКА И ВВОД В ЭКСПЛУАТАЦИЮ	64
5.1	<i>Распаковка машины</i>	64
5.2	<i>Место установки</i>	64
5.3	<i>Электрическое подключение</i>	64
5.4	<i>Ввод в эксплуатацию</i>	65
5.5	<i>Опасность</i>	65
6	ОРГАНЫ УПРАВЛЕНИЯ И ПРЕДОХРАНИТЕЛЬНЫЕ УСТРОЙСТВА	66
6.1	<i>Органы управления</i>	66
6.2	<i>Зона регулировки</i>	66
6.3	<i>Рабочая зона</i>	66
7	ЭКСПЛУАТАЦИЯ	66
8	ТЕХНИЧЕСКОЕ ОБСЛУЖИВАНИЕ	68
8.1	<i>Ежедневное, выполняется пользователем, прошедшим подготовку</i>	68
8.2	<i>Еженедельное, выполняется пользователем, прошедшим подготовку</i>	68
8.3	<i>Ежегодное, выполняется аккредитованным специалистом</i>	68
9	РАСХОДНЫЕ МАТЕРИАЛЫ	69
9.1	<i>Список РАСХОДНЫХ МАТЕРИАЛОВ</i>	69
10	НЕПОЛАДКИ В РАБОТЕ	70
11	СПИСОК КОМПЛЕКТУЮЩИХ НА ИЗОБРАЖЕНИЯХ	71

1 ПЕРЕД ВВОДОМ В ЭКСПЛУАТАЦИЮ

Благодарим за то, что выбрали компанию JAC. Перед установкой машины и ее вводом в эксплуатацию обязательно прочтите настоящее руководство. Таким образом вы сможете защитить себя и избежать повреждений машины.

В настоящем руководстве содержатся ссылки на различные изображения, облегчающие понимание инструкций. Эти изображения находятся в конце руководства. Обращайтесь к ним, когда встретите в тексте обозначения следующего вида: (fig.x, n°y).

Для обеспечения бесперебойной работы машины в будущем предлагаем ознакомиться с представленными ниже правилами:

— Для установки машины, ее ввода в эксплуатацию и контроля работы обращайтесь к аккредитованному специалисту.

— Чтобы на машину действовала 5-летняя гарантия (см. необходимые условия далее), дистрибьютор должен заполнить журнал технического обслуживания при установке машины.

2 ГАРАНТИЯ



Компания JAC предоставляет 5-летнюю гарантию на всю свою продукцию.

Гарантия распространяется на все детали машины, в том числе электронные, кроме расходных материалов. Гарантия вступает в силу с даты установки оборудования.

Гарантия действует при соблюдении следующих ограничительных условий:

- приобретение оборудования у аккредитованного дистрибьютора;
- выполнение установки аккредитованным специалистом;
- использование оборудования в соответствии с указаниями в руководстве по эксплуатации и по назначению, предусмотренному при производстве;
- ежедневное техническое обслуживание оборудования в соответствии с указаниями в руководстве по эксплуатации;
- выполнение технического обслуживания аккредитованным специалистом в соответствии с требованиями по техническому обслуживанию не реже одного раза в год (производится за счет пользователя);
- использование исключительно оригинальных деталей компании JAC.



При отсутствии технического обслуживания со стороны аккредитованного специалиста действие гарантии ограничивается одним годом.

Гарантия не распространяется:

- на замену расходных материалов (§ 9);
- на детали, признанные неисправными не вследствие нашего обслуживания;
- на проблемы, возникшие вследствие неправильной эксплуатации оборудования;
- на проблемы, возникшие вследствие установки машины не аккредитованным специалистом;
- на детали или проблемы, связанные с нанесением ущерба во время транспортировки или ненадлежащим обращением при погрузочно-разгрузочных работах.

Ремонт и/или замена неисправных деталей, выполненные в течение гарантийного периода, не могут служить основанием для продления данной гарантии.

Настоящее руководство следует сохранить для получения справочной информации при дальнейшей эксплуатации машины. В случае продажи или передачи машины другому лицу следует удостовериться, что руководство по эксплуатации передается вместе с ней, чтобы пользователь мог получить информацию о ее работе и связанных с ней предупреждениях.



Предупреждения изложены для обеспечения вашей безопасности и безопасности других лиц. Просим вас внимательно прочесть эти предупреждения перед установкой и эксплуатацией машины.

Машина разработана для использования совершеннолетними лицами, имеющими соответствующее разрешение и квалификацию. Поэтому нужно следить за тем, чтобы дети не прикасались к машине и не использовали ее в качестве игрушки.

Машина предназначена исключительно для использования в рабочих целях.

Опасно вносить изменения в характеристики машины или предпринимать соответствующие попытки.

После установки машины убедитесь в том, что она не стоит на кабеле электропитания.

Соблюдайте данные инструкции по эксплуатации.

Машина должна храниться и использоваться в помещении, защищенном от сырости и жары.

Машина должна быть достаточно освещена для выполнения работы.

Уровень шума машины ниже 75 дБА согласно стандарту EN ISO 3744.

Машина не должна использоваться несколькими операторами параллельно.

(DIVIFORM, DIVIFORM+, TRADIFORM) Никогда не используйте одновременно более одной пластины для прессовки. Не устанавливайте в кювету несколько пластин для прессовки.



Никогда не оставляйте тесто в кювете дольше, чем это необходимо для операций. Всегда открывайте крышку сразу после предыдущего этапа работы.

Тесто является натуральным ферментируемым продуктом, который увеличивается в объеме. В результате ферментируемое тесто, оставленное в кювете дольше чем на несколько минут, может создать сильное давление на крышку. Это давление может вызвать резкое перемещение крышки при ее открытии.

Запрещается использовать инструмент для принудительного открытия крышки.



Всегда отключайте разъем электропитания перед выполнением чистки внутренних/внешних поверхностей и операций по техническому обслуживанию (см. раздел 8).

Машина тяжелая. Принимайте все необходимые меры предосторожности при транспортировке и погрузочно-разгрузочных работах.

4 ТЕХНИЧЕСКИЕ ХАРАКТЕРИСТИКИ

4.1 Технические характеристики

	DIV	DIV-R	DIVIFORM	DIVIFORM+	TRADIFORM
Высота с открытой крышкой и рамкой (мм)	1759	1759	1604	1759	1759
Ширина (мм)	600	600	832	832	832
Глубина (мм)	772	772	732		772
Упаковка (мм)	800 × 880 × 1 250	800 × 880 × 1 250	800 × 880 × 1 250	800 × 880 × 1 250	800 × 880 × 1 250
Масса нетто (кг)	Круглая кювета: 315 Квадратная кювета: 300	Круглая кювета: 320 Квадратная кювета: 305	260	285	315
Масса нетто + упаковка (кг)	Круглая кювета: 335 Квадратная кювета: 320	Круглая кювета: 340 Квадратная кювета: 325	280	305	335
Мощность мотора (кВт)	50 Гц: 1,5 60 Гц: 1,8	50 Гц: 1,5 60 Гц: 1,8	50 Гц: 1,5 60 Гц: 1,8	50 Гц: 1,5 60 Гц: 1,8	50 Гц: 1,5 60 Гц: 1,8
Тип двигателя	Трехфазный	Трехфазный	Трехфазный	Трехфазный	Трехфазный
220 В (пер.)	50 Гц: 8 60 Гц: 11	50 Гц: 8 60 Гц: 11	50 Гц: 8 60 Гц: 11	50 Гц: 8 60 Гц: 11	50 Гц: 8 60 Гц: 11
380 В (пер.)	50 Гц: 4,5 60 Гц: 6,5	50 Гц: 4,5 60 Гц: 6,5	50 Гц: 4,5 60 Гц: 6,5	50 Гц: 4,5 60 Гц: 6,5	50 Гц: 4,5 60 Гц: 6,5
Темп производства в режиме деления и формовки (шт/ч)			400...3 000 в зависимости от типа решетки	400...3 000 в зависимости от типа решетки	400...3 000 в зависимости от типа решетки
Темп производства в режиме деления в кювете	900	900			900
Вес тестовых заготовок в режиме деления и формовки мин./макс. (г)			19...2 500 в зависимости от типа решетки	19...2 500 в зависимости от типа решетки	19...2 500 в зависимости от типа решетки
Вес тестовых заготовок в режиме деления в кювете мин./макс. (г)	150/950 300 / 1 900 при опции 10/20	150/950 300 / 1 900 при опции 10/20			150/950 300 / 1 900 при опции 10/20
Вместимость кюветы (кг)	19	19	5	5	19 в режиме деления в кювете 5 в режиме деления и формовки

Для правильной работы коэффициент гидратации должен составлять не менее 55 % в режиме деления в кювете и не менее 70 % в режиме деления и формовки.

4.2 Данные о материалах, находящихся в непосредственном контакте с тестом

Квадратная кювета: нерж. 304

Круглая кювета: чугун FGL200

Прижимные пластины квадратной кюветы: алюминий с покрытием GHA

Прижимные пластины круглой кюветы: чугун с тефлоновым покрытием

Ножи: нерж. 304

Крышка: алюминий AISi10Mg

Стандартная решетка: нерж. 430 с тефлоновым покрытием

Профилированная решетка: нерж. 430 с тефлоновым покрытием + EN AW-6060

Пластина для жирной прессовки: ПЭ-СВМ

5.1 Распаковка машины

Машины из наших цехов поставляются на поддонах, закрепленные ремнями и в защитной картонной коробке. Прежде всего следует осмотреть упаковку на предмет наличия повреждений, полученных во время транспортировки, и сообщить о них непосредственно экспедитору.

- A. Удалите картонную коробку.
- B. Снимите боковые дверцы машины, чтобы получить доступ к винтам, удерживающим машину на поддоне.
- C. Открепите машину от поддона, открутив 2 винта, фиксирующих машину (fig.5).
- D. Снимите машину с поддона. В этой операции должно участвовать не менее двух человек для обеспечения максимально плавного соприкосновения машины с полом.
- E. (**TRADIFORM/DIVIFORM/DIVIFORM+**) Установите на место рамку и ее опоры (fig.6).
- F. (**Опция EASYFLOUR**) Установите на место посыпатель муки и наполните его мукой (fig.6).

После распаковки машины убедитесь, что она не получила повреждений при транспортировке. Сообщайте нам о любых дефектах.

5.2 Место установки

Для обеспечения долгосрочной высокой производительности и надежности машины следует правильно выбрать место установки:

оно должно быть хорошо проветриваемым, защищенным от воздействия прямых солнечных лучей, удаленным от источников тепла, с ровной и прочной поверхностью, не подвергающейся вибрации.

5.3 Электрическое подключение

ВАЖНО! Обязательно наличие заземления.

Рекомендуется защитить электрическую цепь с помощью плавкого предохранителя и дифференциального автоматического выключателя.

Электрическая установка, обеспечивающая питание машины, должна быть защищена следующим образом:

- Северная Америка: предохранитель 15 А;
- остальные страны: предохранитель 16 А.

Машины, оборудованные регулятором скорости, обязательно должны подключаться к разветвительной коробке на линии с дифференциальным автоматом типа В 300 мА.

Примечание. Любые проблемы, возникшие в связи с иным видом подключения, не будут покрываться гарантией.

Перед подключением машины к электросети и во избежание выхода двигателя из строя в момент подключения следует убедиться в соответствии электросети характеристикам машины (см. заводскую табличку).

Машина соответствует Директивам по механическому оборудованию 2006/42, 2014/35, 2014/30 и имеет подтверждающую маркировку CE.

Ознакомьтесь с пиктограммами техники безопасности, имеющимися на машине.



Пиктограмма, предупреждающая об опасности поражения электрическим током. Отключайте машину перед выполнением любых работ. Пиктограмма находится внутри машины, на отсеке электрощитка (fig.13, n°21).

Электросхема машины находится на внутренней стороне левой дверцы делителя (fig.13, n°22).



Пиктограмма, предупреждающая об опасности заземления. Отключите машину от электросети перед выполнением любых работ. Пиктограмма находится на боковых дверцах (fig.13, n°23).

5.4 Ввод в эксплуатацию

Перед вводом в эксплуатацию убедитесь в отсутствии любых посторонних предметов на подвижных частях машины.

В первую очередь после проверки соответствия электрических характеристик убедитесь в том, что мотор вращается в правильном направлении: если потянуть рычаг управления на себя, прижимные пластины должны подниматься. Если это не так, отключите разъем и поменяйте местами 2 фазы на разъеме.

Для получения ответов на все вопросы, касающиеся эксплуатации машины, см. раздел «Эксплуатация».

5.5 Опасность

В случае возникновения опасности для пользователя или машины следует остановить машину с помощью кнопки аварийного останова.

Извлеките штекер из электрической розетки перед выполнением любых операций по техническому или периодическому обслуживанию.

Все операции по техническому обслуживанию или замене деталей должны осуществляться аккредитованным специалистом.

6.1 Органы управления

Машина серийно оборудована механическим пультом управления (fig.3).

6.2 Зона регулировки

Зона регулировки давления и сбора муки находится в передней части машины (fig.7).

6.3 Рабочая зона

Рабочая зона находится в передней части машины (fig.4).

7 ЭКСПЛУАТАЦИЯ

Порядок эксплуатации в режиме резки (только DIV, DIV-R, TRADIFORM) (fig.8, 9)

- A. Поверните на 1/4 оборота вправо кнопку аварийного останова (fig.3, n°16), если она не включена.
- B. Откройте крышку (если крышку открыть трудно, см. раздел 10 «Неполадки в работе»).
- C. В случае необходимости слегка посыпьте мукой прижимные пластины кюветы.
- D. Выгрузите тесто в кювету и приблизительно распределите его рукой по поверхности.
- E. В случае необходимости слегка посыпьте тесто мукой.
- F. **(DIV-R и TRADIFORM)** Давление прессовки можно регулировать с помощью ручки регулировки прессовки, расположенной на передней панели.
- G. При наличии **опции 10/20** выберите вариант резки на 10 или 20 частей с помощью переключателя на передней панели.
- H. Закройте крышку кюветы.
- I. Потяните рычаг управления, чтобы поднять прижимные пластины и разделить тесто.
- J. Быстрым движением надавите на рычаг, чтобы снять давление и открыть крышку.
- K. Откройте крышку.
- L. Потяните рычаг, чтобы поднять прижимные пластины и извлечь тестовые заготовки.

Текущий цикл можно остановить с помощью кнопки аварийного останова.

Порядок эксплуатации в режиме деления и формовки (только DIVIFORM, DIVIFORM+, TRADIFORM) (fig.10, 11)

- A. Поверните на 1/4 оборота вправо кнопку аварийного останова (fig.3, n°16), если она не включена.
 - B. **(DIVIFORM+, TRADIFORM)** Откройте крышку и установите пластину для прессовки в нижней части кюветы (если крышку открыть трудно, см. раздел 10 «Неполадки в работе»).
- Никогда не используйте одновременно более одной пластины для прессовки. Не устанавливайте в кювету несколько пластин для прессовки.**
- C. В случае необходимости слегка посыпьте мукой пластину для жирной прессовки.
 - D. Выгрузите тесто в кювету и приблизительно распределите его рукой по поверхности.
 - E. В случае необходимости слегка посыпьте тесто мукой.
 - F. **(TRADIFORM)** Отрегулируйте давление прессовки с помощью ручки регулировки прессовки, расположенной на передней панели.
(DIVIFORM+) Давление прессовки можно регулировать с помощью ручки регулировки прессовки, расположенной сбоку делителя.
(DIVIFORM) Перейдите к этапу K.
 - G. Закройте крышку.

- H. Потяните рычаг управления, чтобы поднять прижимные пластины и разделить тесто.
- I. Быстрым движением надавите на рычаг, чтобы снять давление и открыть крышку.
- J. Откройте крышку.
- K. Закройте рамку.
- L. Потяните рычаг, чтобы разделить тесто.
- M. Быстрым движением надавите на рычаг, чтобы снять давление и открыть рамку.
- N. Откройте рамку.
- O. Потяните рычаг, чтобы поднять прижимные пластины и извлечь тестовые заготовки.

Текущий цикл можно остановить с помощью кнопки аварийного останова.

Процедура замены решетки системы Click&Cut (только DIVIFORM, DIVIFORM+, TRADIFORM) (fig.12)

- A. Нажмите на кнопку аварийного останова.
- B. Закройте рамку.
- C. Откройте отсек решетки с помощью защелки, расположенной на левой стороне рамки.
- D. Откройте створку отсека решетки.
- E. Извлеките старую решетку.
- F. Вставьте новую решетку.
- G. Захлопните створку отсека решетки.
- H. Поверните на 1/4 оборота вправо кнопку аварийного останова.

Процедура наполнения посыпателя муки Easyflour (ОПЦИЯ EASYFLOUR) (fig.14)

- A. Откройте крышку посыпателя муки.
- B. Насыпьте муку в зону наполнения посыпателя муки (fig.14, n°24).
- C. Закройте крышку посыпателя муки.
- D. Отрегулируйте расход посыпателя муки с помощью указателя (fig.14, n°25).

8.1 Ежедневное, выполняется пользователем, прошедшим подготовку

(fig.15)

- A. Установите прижимные пластины и ножи в нижнее положение и очистите кювету и крышку.
- B. Нажмите на кнопку очистки ножей, чтобы поднять ножи.
- C. Включите аварийный останов, отключите машину от электросети и очистите ножи.
- D. Отожмите кнопку аварийного останова и снова подключите машину к электросети.
- E. Потяните рычаг, чтобы поднять прижимные пластины и удалить с помощью пылесоса остатки теста и муки.

8.2 Еженедельное, выполняется пользователем, прошедшим подготовку

(fig.16)

- A. Нажмите на кнопку подъема ножей, чтобы поднять ножи.
- B. Нажмите кнопку аварийного останова, отключите машину от электросети и снимите боковые дверцы с помощью отвертки.
- C. Почистите пылесосом все внутренние части и механические узлы машины.
- D. Установите на место боковые дверцы и опорожните бак для сбора муки.
- E. Протрите весь корпус машины влажной салфеткой.
- F. Отожмите кнопку аварийного останова и снова подключите машину к электросети.

8.3 Ежегодное, выполняется аккредитованным специалистом

- A. Установите прижимные пластины в нижнее положение.
- B. Нажмите кнопку аварийного останова, отключите машину от электросети и снимите правую боковую дверцу с помощью отвертки.
- C. Проверьте уровень масла (уровень должен находиться в 4—5 см от верхнего края алюминиевой скобы).

ПРИМЕЧАНИЕ. Ниже приведен неполный список совместимых гидравлических масел:

CONDAT	HYDROLUB S46
ELF	HYDRELF DS46
CASTROL	AYSPIN AWS46
TOTAL	AZOLLA ZS32

- D. Отожмите кнопку аварийного останова и снова подключите машину к электросети.
- E. Проверьте внесение аккредитованным специалистом записи о выполненной работе для сохранения 5-летней гарантии.

9 РАСХОДНЫЕ МАТЕРИАЛЫ

При заказе запчасти проверьте вместе с аккредитованным специалистом, о какой детали идет речь, по каталогу запчастей, выпускаемому производителем.

Всегда уточняйте номер машины, указанный на заводской табличке.

Заказ в компании JAC может разместить ваш аккредитованный специалист.

9.1 Список РАСХОДНЫХ МАТЕРИАЛОВ

АРТИКУЛ	НОВОЕ НАЗВАНИЕ	МОДЕЛЬ
F1500009	УПЛОТНЕНИЕ КРЫШКИ	DIV-R, TRADIFORM
F1500004	ПРУЖИНА КРЫШКИ	DIV, DIV-R, DIVIFORM+, TRADIFORM
F1513364	ПРАВАЯ ПРУЖИНА CLICK&CUT	DIVIFORM, DIVIFORM+, TRADIFORM
10040012	ИЗНАШИВАЕМАЯ ПЛАСТИНА	DIV, DIV-R, DIVIFORM+, TRADIFORM
HUILEHYDROS46	ГИДРАВЛИЧЕСКОЕ МАСЛО	TOUTES
F140000311	ДВОЙНОЙ ЭКСЦЕНТРИК	DIV, DIV-R, DIVIFORM+, TRADIFORM
F1513326	ФИКСАТОР	DIVIFORM, DIVIFORM+, TRADIFORM

ВНИМАНИЕ! При любых работах машину необходимо отключать от электропитания.

Проблема	Проверка
Проблема 1. Машина не запускается	<p>Незамедлительно откройте крышку, чтобы не оставлять тесто ферментироваться внутри кюветы. (Если ручку трудно открыть вручную, см. описание проблемы 7.)</p> <p>Проверить общее питание и питание двигателя</p> <p>Проверить срабатывание термореле.</p>
Проблема 2. Гидравлическая установка работает, но прижимные пластины не поднимаются.	Поменять местами 2 фазы на разъеме машины.
Проблема 3. У машины недостаточная мощность.	Проверить уровень масла. Уровень должен находиться в 4—5 см от верхнего края.
Проблема 4. Прижимные пластины поднимаются, но ножи не выходят.	Обратиться к своему техническому специалисту.
Проблема 5. Наличие масла на полу.	Обратиться к своему техническому специалисту.
Проблема 6. Крышку невозможно открыть, или тесто оставлено без присмотра в закрытой кювете	<p>Не пытайтесь открыть крышку принудительно. С машиной должен работать только один работник.</p> <p>Не используйте инструмент для принудительного открытия крышки.</p> <p>Если тесто ферментировалось в кювете дольше нескольких минут, при попытке открыть крышку соблюдайте меры предосторожности. Не находитесь в зоне траектории открытия крышки.</p> <p>Если крышку невозможно открыть в соответствии с указаниями в руководстве по эксплуатации, обратитесь к своему техническому специалисту. Не находитесь в зоне</p>
Проблема 7. В случае прекращения электропитания	<p>Незамедлительно откройте крышку, чтобы не оставлять тесто ферментироваться внутри кюветы. (Если ручку трудно открыть вручную, см. описание проблемы 6.)</p>



Если проблема не устраняется, обратитесь к вашему техническому специалисту.

11 СПИСОК КОМПЛЕКТУЮЩИХ НА ИЗОБРАЖЕНИЯХ

Рисунок	Позиция	Наименование
1	1	Крышка
	2	Уплотнение крышки
	3	Кювета
	4	Прижимные пластины
	5	Отвод муки
	6	Рукоятка для транспортировки
	7	Тормозные ролики
	8	Ручка для закрытия крышки
	9	Эксцентрик для закрытия крышки
	10	Рамка решетки
	11	Рукоятка дверцы
	12	Отсек регулировки давления
2	13	Ножи
3	14	Очистка ножей (только DIV, DIV-R и TRADIFORM)
	15	Переключатель 10/20 (при опции 10/20)
	16	Аварийный останов
	17	Рычаг управления
4	18	Рабочая зона
7	19	Бак для сбора муки
	20	Регулировка давления
13	21	Пиктограмма, предупреждающая об опасности поражения электрическим током
	22	Электрическая схема
	23	Пиктограмма, предупреждающая об опасности заземления
14	24	Зона наполнения посыпателя муки Easyflour
	25	Регулировочный указатель расхода посыпателя муки Easyflour

1	ANTES DE LA PUESTA EN SERVICIO	74
2	GARANTÍA	74
3	ADVERTENCIAS	76
4	CARACTERÍSTICAS TÉCNICAS	77
4.1	<i>Características técnicas</i>	77
4.2	<i>Detalle de materiales en contacto directo con la masa</i>	77
5	INSTALACIÓN Y PUESTA EN SERVICIO	78
5.1	<i>Desembalaje de la máquina</i>	78
5.2	<i>Ubicación</i>	78
5.3	<i>Conexión eléctrica</i>	78
5.4	<i>Puesta en servicio</i>	79
5.5	<i>Peligro</i>	79
6	CUADRO DE CONTROL Y DE SEGURIDAD	80
6.1	<i>Cuadro de control</i>	80
6.2	<i>Zona de ajuste</i>	80
6.3	<i>Área de trabajo</i>	80
7	USO	80
8	LIMPIEZA	82
8.1	<i>Diaria por un usuario formado</i>	82
8.2	<i>Semanal por un usuario formado</i>	82
8.3	<i>Anual por un agente autorizado</i>	82
9	CONSUMIBLES	83
9.1	<i>Lista de CONSUMIBLES</i>	83
10	INCIDENTES DE FUNCIONAMIENTO	84
11	LISTA DE COMPONENTES DE LAS FIGURAS	85

1 ANTES DE LA PUESTA EN SERVICIO

Gracias por elegir una solución JAC. Lea con atención este manual de uso antes de instalar y poner en servicio esta máquina. De esta forma, puede protegerse y evitar el deterioro de su máquina.

Este manual hace referencia a distintas figuras con el fin de facilitar la comprensión de las instrucciones. Estas figuras se encuentran al final del manual. Consúltelas cuando vea los siguientes símbolos (fig. x, n.º y).

Para que el funcionamiento de su máquina sea satisfactorio a lo largo de los próximos años, le aconsejamos que lea los siguientes consejos:

- Solicite ayuda a su agente autorizado para la instalación, la puesta en servicio y el seguimiento.
- Para poder beneficiarse de la garantía de 5 años (consulte las condiciones recogidas a continuación), solicite a su distribuidor que complete la tarjeta de mantenimiento al instalar su máquina.

2 GARANTÍA



JAC ofrece una garantía de 5 años en todos sus productos.

Esta garantía es válida para todas las piezas de su máquina, incluidas las electrónicas, excluyendo los consumibles. La garantía entra en vigor a partir de la fecha de instalación del material.

Con las siguientes condiciones restrictivas:

- el material debe haberse adquirido a un revendedor autorizado;
- la instalación deberá efectuarla un agente autorizado;
- el material debe utilizarse conforme a las indicaciones del manual de uso y para la finalidad para la que ha sido fabricado;
- el mantenimiento diario del material debe efectuarse conforme a las indicaciones del manual de uso;
- el agente autorizado debe hacer un seguimiento del mantenimiento conforme a las especificaciones de mantenimiento, como mínimo, una vez al año (mantenimiento a cargo del usuario);
- deben utilizarse exclusivamente piezas originales JAC.



Si un agente autorizado no efectúa el seguimiento del mantenimiento, la garantía se limita a un año.

Esta garantía no cubre:

- la sustitución de consumibles (§9);
- las piezas que nuestros servicios no reconozcan como defectuosas;
- los problemas derivados de un uso anormal del material;
- los problemas derivados de una instalación no efectuada por un agente autorizado;
- las piezas o los problemas causados por daños en el transporte o por un mantenimiento inadecuado.

Una reparación y/o una sustitución de piezas defectuosas efectuada(s) durante el periodo de garantía no supondrá(n) la prolongación de dicha garantía.

Es muy importante conservar este manual de uso junto con el aparato para futuras consultas. Si este aparato se vende o se transfiere a otra persona, asegúrese de que se le entrega también el manual de uso para que el usuario pueda estar informado de su funcionamiento y de las advertencias que se recogen aquí.



Estas advertencias se dan por su seguridad y la de los demás. Le rogamos que las lea con atención antes de instalar y utilizar el aparato.

Esta máquina está diseñada para su uso por adultos autorizados y con formación. Asegúrese de que los niños no la toquen o que no la usen como un juguete.

Esta máquina está destinada únicamente a un uso profesional.

Es peligroso modificar o intentar modificar las características de esta máquina.

Después de instalar la máquina, asegúrese de que no aplasta el cable de alimentación.

Siga las instrucciones de uso.

Esta máquina debe almacenarse y utilizarse dentro de un local protegido de la humedad y del calor.

Esta máquina debe estar suficientemente iluminada para efectuar el trabajo.

Esta máquina tiene un nivel sonoro inferior a 75 dB(A), de conformidad con la norma EN ISO 3744.

Esta máquina debe utilizarla una sola persona a la vez.

(DIVIFORM, DIVIFORM+, TRADIFORM) No utilice nunca más de una plancha de presión al mismo tiempo. No apile varias planchas de presión en la cuba.



No deje nunca masa en la cuba durante más tiempo del necesario para los procedimientos. Abra siempre la tapa inmediatamente después de la etapa anterior del procedimiento de uso.

La masa es un producto natural vivo que se hincha durante la fermentación. Por tanto, la masa fermentada que se deja más de unos minutos en la cuba puede ejercer una fuerte presión sobre la tapa. Esta presión podría provocar un movimiento violento de la tapa en el momento de abrirla.

No utilice nunca herramientas para forzar la apertura de la tapa.



Desconecte siempre la toma de corriente antes de proceder a la limpieza interior y exterior del aparato y a las operaciones de mantenimiento (véase el capítulo 8).

Este aparato es pesado. Tome todas las precauciones de seguridad durante su mantenimiento.

4 CARACTERÍSTICAS TÉCNICAS

4.1 Características técnicas

	DIV	DIV-R	DIVIFORM	DIVIFORM+	TRADIFORM
Altura con la tapa y el marco abiertos (mm)	1759	1759	1604	1759	1759
Anchura (mm)	600	600	832	832	832
Profundidad (mm)	772	772	732		772
Embalaje (mm)	800 x 880 x 1250	800 x 880 x 1250	800 x 880 x 1250	800 x 880 x 1250	800 x 880 x 1250
Peso neto (k)	Cuba redonda: 315 Cuba cuadrada: 300	Cuba redonda: 320 Cuba cuadrada: 305	260	285	315
Peso neto + embalaje (k)	Cuba redonda: 335 Cuba cuadrada: 320	Cuba redonda: 340 Cuba cuadrada: 325	280	305	335
Potencia del motor (kW)	50 Hz: 1,5 60 Hz: 1,8	50 Hz: 1,5 60 Hz: 1,8	50 Hz: 1,5 60 Hz: 1,8	50 Hz: 1,5 60 Hz: 1,8	50 Hz: 1,5 60 Hz: 1,8
Tipo de motor	Trifásico	Trifásico	Trifásico	Trifásico	Trifásico
220 V (A)	50 Hz: 8 60 Hz: 11	50 Hz: 8 60 Hz: 11	50 Hz: 8 60 Hz: 11	50 Hz: 8 60 Hz: 11	50 Hz: 8 60 Hz: 11
380 V (A)	50 Hz: 4,5 60 Hz: 6,5	50 Hz: 4,5 60 Hz: 6,5	50 Hz: 4,5 60 Hz: 6,5	50 Hz: 4,5 60 Hz: 6,5	50 Hz: 4,5 60 Hz: 6,5
Cadencia en división de moldeo (piezas/hora)			De 400 a 3000 según el tipo de rejilla	De 400 a 3000 según el tipo de rejilla	De 400 a 3000 según el tipo de rejilla
Cadencia en división en cuba	900	900			900
Peso de los pastones en división de moldeo mín./máx. (g)			De 19 a 2500 según el tipo de rejilla	De 19 a 2500 según el tipo de rejilla	De 19 a 2500 según el tipo de rejilla
Peso de los pastones en división en cuba mín./máx. (g)	150/950 300/1900 con la opción 10/20	150/950 300/1900 con la opción 10/20			150/950 300/1900 con la opción 10/20
Capacidad de la cuba (k)	19	19	5	5	19 con división en cuba 5 con división en moldeo

Para un funcionamiento perfecto, la tasa de hidratación debe de ser del 55 % como mínimo en división en cuba y del 70 % como mínimo en división de moldeo.

4.2 Detalle de materiales en contacto directo con la masa

Cuba cuadrada: INOX 304

Cuba redonda: Fundido FGL200

Llanas de la cuba cuadrada: Aluminio con revestimiento GHA

Llanas de la cuba redonda: Fundido con revestimiento de teflón

Cuchillas: INOX 304

Tapa: Aluminio AISi 10 Mg

Rejilla estándar: INOX 430 con revestimiento de teflón

Rejilla perfilada: INOX 430 con revestimiento de teflón + EN AW-6060

Placa de compresión de grasa: PE-UHMW

5.1 Desembalaje de la máquina

Las máquinas que salen de nuestros talleres se entregan en palés atados y protegidos con cartón. Antes de realizar cualquier acción, debe observarse el embalaje e informar al transportista de cualquier daño debido al transporte.

- A. Quite el cartón.
- B. Quite las puertas laterales de la máquina para tener acceso a los tornillos que sujetan la máquina en el palé.
- C. Separe la máquina del palé desatornillando los 2 tornillos que bloquean la máquina (fig. 5).
- D. Baje la máquina del palé. Efectúe esta operación entre dos personas como mínimo para amortiguar al máximo el contacto con el suelo.
- E. **(TRADIFORM/DIVIFORM/DIVIFORM+)** Coloque el marco en su soporte (fig. 6).
- F. **(Opción EASYFLOUR)** Coloque la harinadora y llénela de harina (fig. 6).

Después de desembalar la máquina, compruebe que no ha sufrido daños durante el transporte. Infórmenos de cualquier anomalía.

5.2 Ubicación

Para obtener un rendimiento excelente y una fiabilidad a largo plazo, elija una ubicación que esté:

Bien ventilada, protegida de los rayos directos del sol y alejada de fuentes de calor, con una superficie plana y robusta y sin vibraciones.

5.3 Conexión eléctrica

IMPORTANTE: La toma de tierra es obligatoria.

Es aconsejable proteger la instalación con un fusible y un disyuntor diferencial.

La instalación eléctrica que suministra energía a la máquina debe estar protegida tal y como se indica a continuación:

- América del Norte: Protección 15 A;
- Resto del mundo: Protección 16A.

Las máquinas equipadas con un variador deben estar conectadas obligatoriamente a una caja de derivación en una línea equipada con un diferencial de tipo B de 300 mA.

Nota: La garantía no cubrirá cualquier problema ocasionado por una conexión de otro tipo.

Antes de conectar la máquina a la red y con el fin de evitar una puesta fuera de servicio del motor al encenderla, es importante comprobar la adecuación de la red de alimentación a las características de la máquina (consulte la placa informativa de la máquina).

Este aparato cumple con las directivas sobre máquinas 2006/42, 2014/35 y 2014/30 y lleva el marcado CE que lo certifica.

Consulte los pictogramas de seguridad que figuran en la máquina:



Pictograma que indica un riesgo de electrocución. Desconecte la máquina antes de hacer cualquier intervención. Encontrará el icono dentro de la máquina en la caja eléctrica (fig. 13, n.º 21).

Encontrará el esquema eléctrico de la máquina dentro de la puerta izquierda de la divisora (fig. 13, n.º 22).



Pictograma que indica un riesgo de aplastamiento. Desconecte la máquina antes de cualquier intervención en ella. Encontrará este pictograma en las puertas laterales (fig. 13, n.º 23).

5.4 Puesta en servicio

Antes de la puesta en servicio, asegúrese de que no queda ningún objeto sobrante en las partes en movimiento de la máquina.

En primer lugar, y después de comprobar que las tomas de corriente se ajustan a las características eléctricas de la máquina, asegúrese de que el motor gira en el sentido correcto. Para ello, es necesario que las llanas suban cuando tira de la pantalla de control hacia usted. En caso contrario, desconecte la toma de corriente e inviértala 2 fases.

Para utilizar la máquina, consulte el apartado «Uso».

5.5 Peligro

En caso de peligro para el usuario o para la máquina, debe utilizar la detención de emergencia para detener la máquina.

Quite el enchufe de la toma de corriente antes de efectuar cualquier operación de mantenimiento y de limpieza.

Cualquier operación de mantenimiento o de sustitución de piezas debe efectuarla un agente autorizado.

6.1 Cuadro de control

Su máquina está equipada de serie con un pupitre de control mecánico (fig. 3).

6.2 Zona de ajuste

La zona de ajuste de la presión y de recuperación de harina se sitúa en la parte delantera de la máquina (fig. 7).

6.3 Área de trabajo

El área de trabajo está situada en la parte delantera de la máquina (fig. 4).

7 USO

Procedimiento de uso en corte en cuba (DIV, DIV-R y TRADIFORM únicamente) (fig. 8, 9)

- A. Gire 1/4 de vuelta hacia la derecha el botón de detención de emergencia (fig. 3, n.º 16) si no está accionado.
- B. Abra la tapa (si resulta difícil abrirla, consulte el capítulo 10 Incidentes de funcionamiento).
- C. Si es necesario, enharine ligeramente las llanas en la cuba.
- D. Vierta la masa en la cuba y repártala someramente con la mano.
- E. Si es necesario, enharine ligeramente la parte superior de la masa.
- F. **(DIV-R y TRADIFORM)** Ajuste la presión de amontonamiento con el asa de ajuste de presión situada en la parte frontal.
- G. Con **la opción 10/20**, seleccione si desea cortar en 10 o en 20 divisiones con el selector situado en la parte frontal.
- H. Cierre la tapa de la cuba.
- I. Tire de la pantalla de control para que suban las llanas y dividir la masa.
- J. Pulse brevemente la palanca para descomprimir y así poder abrir la tapa.
- K. Abra la tapa.
- L. Tire de la palanca para que suban las llanas y recoger los pastones.

El botón de detención de emergencia permite detener un ciclo en curso.

Procedimiento de uso en división de moldeo (DIVIFORM, DIVIFORM+ y TRADIFORM únicamente) (fig. 10, 11)

- A. Gire 1/4 de vuelta hacia la derecha el botón de detención de emergencia (fig. 3, n.º 16) si no está accionado.
- B. **(DIVIFORM+, TRADIFORM)** Abra la tapa y coloque la plancha de presión en el fondo de la cuba (si resulta difícil abrir la tapa, consulte el capítulo 10 Incidentes de funcionamiento).
No utilice nunca más de una plancha de presión al mismo tiempo. No apile varias planchas de presión en la cuba.
- C. Si es necesario, enharine ligeramente la parte superior de la placa de compresión de grasa.
- D. Vierta la masa en la cuba y repártala someramente con la mano.
- E. Si es necesario, enharine ligeramente la parte superior de la masa.
- F. **(TRADIFORM)** Ajuste la presión de amontonamiento con el asa de ajuste de presión situada en la parte frontal.
(DIVIFORM+) Ajuste la presión de amontonamiento con el asa de ajuste de presión situada en el lado de la divisora.
(DIVIFORM) Vaya al paso K.
- G. Cierre la tapa.

- H. Tire de la pantalla de control para que suban las llanas y dividir la masa.
- I. Pulse brevemente la palanca para descomprimir y así poder abrir la tapa.
- J. Abra la tapa.
- K. Cierre el marco.
- L. Tire de la palanca para dividir la masa.
- M. Pulse brevemente la palanca para descomprimir y así poder abrir el marco.
- N. Abra el marco.
- O. Tire de la palanca para que suban las llanas y recoger los pastones.

El botón de detención de emergencia permite detener un ciclo en curso.

Procedimiento de cambio de rejilla con el sistema Click&Cut (DIVIFORM, DIVIFORM+ y TRADIFORM únicamente) (fig. 12)

- A. Pulse el botón de detención de emergencia.
- B. Cierre el marco.
- C. Abra el compartimento de la rejilla con el pestillo situado en el lado izquierdo del marco.
- D. Abra la tapa del compartimento de la rejilla.
- E. Quite la antigua rejilla.
- F. Introduzca la nueva rejilla.
- G. Cierre la tapa del compartimento de la rejilla.
- H. Gire 1/4 de vuelta hacia la derecha el botón de detención de emergencia.

Procedimiento de llenado de la harinadora Easyflour (OPCIÓN EASYFLOUR) (fig. 14)

- A. Abra la tapa de la harinadora.
- B. Vierta la harina en la zona de llenado de la harinadora (fig. 14, n.º 24).
- C. Cierre la tapa de la harinadora.
- D. Ajuste el flujo de la harinadora con el cursor (fig. 14, n.º 25).

8.1 Diaria por un usuario formado

(fig. 15)

- A. Sitúe las llanas y las cuchillas en posición baja y limpie la cuba y la tapa.
- B. Pulse el botón de limpieza de las cuchillas para que suban.
- C. Accione el botón de detención de emergencia, desconecte la máquina y limpie las cuchillas.
- D. Quite la detención de emergencia y vuelva a conectar la máquina.
- E. Tire de la palanca para que suban las llanas y aspire los residuos de masa y de harina.

8.2 Semanal por un usuario formado

(fig. 16)

- A. Pulse el botón de subida de las cuchillas para que suban.
- B. Accione el botón de detención de emergencia, desconecte la máquina y quite las puertas laterales con un destornillador.
- C. Aspire todas las partes interiores de la máquina y las partes mecánicas.
- D. Vuelva a colocar las puertas laterales y vacíe la bandeja de recuperación de harina.
- E. Lave toda la carrocería con un paño húmedo.
- F. Quite la detención de emergencia y vuelva a conectar la máquina.

8.3 Anual por un agente autorizado

- A. Coloque las llanas en posición baja.
- B. Pulse el botón de detención de emergencia, desconecte la máquina y quite la puerta lateral con un destornillador.
- C. Compruebe el nivel de aceite (el nivel debe situarse a entre 4 y 5 cm del borde superior de la brida de aluminio).

NOTA: A continuación, encontrará una lista no exhaustiva de los aceites hidráulicos compatibles:

CONDAT	HYDROLUB S46
ELF	HYDRELF DS46
CASTROL	AYSPIN AWS46
TOTAL	AZOLLA ZS32

- D. Quite la detención de emergencia y vuelva a conectar la máquina.
- E. Compruebe que su agente autorizado registre su intervención para conservar su garantía de 5 años.

9 CONSUMIBLES

Al pedir una pieza de recambio, compruebe con su agente autorizado de qué pieza se trata con base en el catálogo de piezas de recambio del fabricante.

Indique siempre el número de máquina tal y como se indica en la placa informativa.

Su agente efectuará el pedido a JAC.

9.1 Lista de CONSUMIBLES

REFERENCIA	NUEVA ETIQUETA	MODELO
F1500009	JUNTA DE TAPA	DIV-R, TRADIFORM
F1500004	MUELLE DE TAPA	DIV, DIV-R, DIVIFORM+, TRADIFORM
F1513364	MUELLE CLICK&CUT DERECHO	DIVIFORM, DIVIFORM+, TRADIFORM
10040012	PLACA DE DESGASTE	DIV, DIV-R, DIVIFORM+, TRADIFORM
HUILEHYDROS46	ACEITE HIDRÁULICO	TOUTES
F140000311	EXCÉNTRICO DOBLE	DIV, DIV-R, DIVIFORM+, TRADIFORM
F1513326	EJE DE BLOQUEO	DIVIFORM, DIVIFORM+, TRADIFORM

ATENCIÓN: Para cualquier intervención, la máquina deberá estar desenchufada obligatoriamente.

Problema	Comprobación
Problema 1: La máquina no se pone en funcionamiento	Abra inmediatamente la tapa para que la masa no fermente en el interior de la cuba (si resulta difícil abrir el asa manualmente, consulte el Problema 7). Compruebe la alimentación general y la del motor. Compruebe si se ha activado el relé térmico.
Problema 2: La central hidráulica empieza a funcionar, pero las llanas no suben	Invierta 2 fases en la toma de la máquina.
Problema 3: A la máquina le falta potencia	Compruebe el nivel de aceite. El nivel debe situarse a entre 4 y 5 cm del borde superior.
Problema 4: Las llanas suben, pero las cuchillas no salen	Contacte con su técnico.
Problema 5: Hay aceite en el suelo	Contacte con su técnico.
Problema 6: La tapa no puede abrirse, o La masa se ha dejado sin supervisión en la cuba cerrada	No intente forzar la apertura de la tapa. No manipule la máquina con otras personas. No utilice herramientas para forzar la apertura de la tapa. Si la masa ha fermentado más de unos minutos en la cuba, tenga cuidado cuando intente abrir la tapa. Manténgase a distancia de la trayectoria de apertura de la tapa. Si no es posible abrir la tapa siguiendo las instrucciones de uso, póngase en contacto con un técnico. Manténgase a distancia de la trayectoria de apertura de la tapa hasta la intervención del técnico.
Problema 7: En caso de corte de corriente	Abra inmediatamente la tapa para que la masa no fermente en el interior de la cuba (si resulta difícil abrir el asa manualmente, consulte el Problema 6).



Si el problema persiste, póngase en contacto con su técnico.

11 LISTA DE COMPONENTES DE LAS FIGURAS

Figura	Número	Apellidos
1	1	Tapa
	2	Junta de tapa
	3	Cuba
	4	Llanas
	5	Evacuación de harina
	6	Mango de sujeción
	7	Ruedas con freno
	8	Asa de cierre de la tapa
	9	Excéntrico de cierre de la tapa
	10	Marco de la rejilla
	11	Asa de puerta
	12	Compartimento de ajuste de la presión
2	13	Cuchillas
3	14	Limpieza de las cuchillas (DIV, DIV-R y TRADIFORM únicamente)
	15	Botón de selección 10/20 (opción 10/20)
	16	Detención de emergencia
	17	Pantalla de control
4	18	Área de trabajo
7	19	Bandeja de recuperación de harina
	20	Ajuste de la presión
13	21	Pictograma que indica un riesgo de electrocución
	22	Esquema eléctrico
	23	Pictograma que indica un riesgo de aplastamiento
14	24	Zona de llenado de la harinadora Easyflour
	25	Cursor de ajuste del caudal de la harinadora Easyflour

1	PRIMA DELLA MESSA IN SERVIZIO	88
2	GARANZIA	88
3	AVVERTENZE	90
4	CARATTERISTICHE TECNICHE	91
4.1	<i>Caratteristiche tecniche</i>	91
4.2	<i>Dettaglio materiali a diretto contatto con la pasta</i>	91
5	INSTALLAZIONE E MESSA IN SERVIZIO	92
5.1	<i>Disimballo della macchina</i>	92
5.2	<i>Posizionamento</i>	92
5.3	<i>Collegamento elettrico</i>	92
5.4	<i>Messa in servizio</i>	93
5.5	<i>Pericolo</i>	93
6	ORGANO DI COMANDO E DI SICUREZZA	94
6.1	<i>Organo di comando</i>	94
6.2	<i>Zona di regolazione</i>	94
6.3	<i>Zona di lavoro</i>	94
7	UTILIZZO	94
8	MANUTENZIONE	96
8.1	<i>Quotidiana da parte di un utilizzatore addestrato</i>	96
8.2	<i>Settimanale da parte di un utilizzatore addestrato</i>	96
8.3	<i>Annuale da parte di un agente autorizzato</i>	96
9	COMPONENTI DI CONSUMO	97
9.1	<i>Elenco dei COMPONENTI DI CONSUMO</i>	97
10	INCIDENTI DI FUNZIONAMENTO	98
11	ELENCO DEI COMPONENTI INDICATI NELLE FIGURE	99

1 PRIMA DELLA MESSA IN SERVIZIO

Grazie per aver scelto una soluzione JAC. Si invita a leggere con attenzione queste note informative prima di procedere all'installazione e alla messa in servizio di questa macchina. Contengono informazioni su come proteggersi e come evitare il deterioramento della macchina.

Queste informazioni fanno riferimento a diverse figure, in modo da facilitare la comprensione delle istruzioni. Le figure si trovano al fondo delle informazioni. Si invita a farvi riferimento quando si incontrano i seguenti simboli (fig. x, n. y).

Per una totale soddisfazione dall'utilizzo della macchina nei prossimi anni, si invita a tenere presenti i seguenti consigli:

- Farsi aiutare dall'agente autorizzato per l'installazione, la messa in servizio e il follow-up.
- Per beneficiare della garanzia di 5 anni (vedere le condizioni riportate in seguito), far compilare dal distributore il libretto di manutenzione al momento dell'installazione della macchina.

2 GARANZIA



JAC offre una garanzia di 5 anni su tutti i suoi prodotti.

Questa garanzia è valida su tutte le parti della macchina, comprese quelle elettroniche, escluse le componenti di consumo. La garanzia entra in vigore a partire dalla data di installazione del materiale.

Secondo le seguenti condizioni restrittive:

- materiale acquistato presso un rivenditore autorizzato;
- installazione effettuata da un agente autorizzato;
- utilizzo del materiale conformemente alle indicazioni sul modo di utilizzo e nel rispetto della finalità per la quale è stato fabbricato;
- materiale quotidianamente mantenuto nel rispetto delle indicazioni delle modalità di utilizzo;
- manutenzioni successive da parte dell'agente autorizzato conformemente alle specifiche di manutenzione con, al minimo, una manutenzione l'anno (manutenzione a carico dell'utente);
- l'utilizzo esclusivo di parti originali JAC.



Se non si eseguono interventi di manutenzione da parte di un agente autorizzato, la garanzia si limita ad un anno.

Questa garanzia non copre:

- la sostituzione dei componenti di consumo (§9);
- le parti non riconosciute difettose dai nostri servizi;
- i problemi derivanti da un utilizzo anomalo del materiale;
- i problemi derivanti da un'installazione non effettuata da un agente autorizzato;
- le parti o i problemi derivanti da un danno di trasporto o da una manutenzione inadeguata.

Una riparazione e/o una sostituzione di parti difettose effettuate durante il periodo di garanzia non producono l'effetto di prolungare detta garanzia.

È molto importante che le istruzioni per l'utilizzo siano conservate con l'apparecchio per ogni consultazione futura. Se questo macchinario deve essere venduto o trasferito ad un'altra persona, accertarsi che le istruzioni per l'utilizzo siano consegnate all'utente destinatario in modo che possa essere informato sul funzionamento e sui messaggi di avvertenza ad esso riferiti.



Tali avvertenze sono fornite per la vostra sicurezza e per quella altrui. Si prega di leggerle con attenzione prima di installare e utilizzare il macchinario.

Questa macchina è stata progettata per essere utilizzata da adulti autorizzati e sottoposti a formazione. Accertarsi quindi che i bambini non le si avvicinino e che non la utilizzino come un giocattolo.

Questa macchina è destinata unicamente ad un uso professionale.

È pericoloso modificare o provare a modificare le caratteristiche di questa macchina.

Dopo l'installazione di questa macchina, accertarsi che non appoggi sul cavo di alimentazione.

Seguire le istruzioni fornite per l'utilizzo.

Questa macchina deve essere sistemata e utilizzata all'interno di un locale, al riparo da umidità e calore.

Deve essere illuminata a sufficienza per poter funzionare.

La macchina produce un livello sonoro inferiore a 75 dB(A), conforme alla norma EN ISO 3744.

La macchina deve essere utilizzata da una sola persona per volta.

(DIVIFORM, DIVIFORM+, TRADIFORM) Non utilizzare mai più di una piastra di compattazione per volta. Non sovrapporre più piastre di compattazione nella vasca.



Non lasciare mai la pasta nella vasca per più tempo di quanto necessario per le procedure. Aprire sempre il coperchio immediatamente dopo la fase precedente della procedura di utilizzo.

La pasta è un prodotto naturale vivo che gonfia durante la fermentazione. Ne consegue che la pasta fermentata lasciata per più di qualche minuto nella vasca può esercitare una forte pressione sul coperchio. Questa pressione potrebbe causare un violento movimento del coperchio durante l'apertura.

Non utilizzare mai uno strumento per forzare l'apertura del coperchio.



Staccare sempre la presa di corrente prima di procedere alla pulizia interna/esterna del macchinario e alle operazioni di manutenzione (vedere il capitolo 8).

Questo macchinario è pesante. Adottare tutte le precauzioni di sicurezza al momento della manutenzione.

4 CARATTERISTICHE TECNICHE

4.1 Caratteristiche tecniche

	DIV	DIV-R	DIVIFORM	DIVIFORM+	TRADIFORM
Altezza coperchio e telaio aperto (mm)	1759	1759	1604	1759	1759
Larghezza (mm)	600	600	832	832	832
Profondità (mm)	772	772	732		772
Imballaggio (mm)	800 x 880 x 1250	800 x 880 x 1250	800 x 880 x 1250	800 x 880 x 1250	800 x 880 x 1250
Peso netto (kg)	Vasca rotonda: 315 Vasca quadrata: 300	Vasca rotonda: 320 Vasca quadrata: 305	260	285	315
Peso NETTO + imballaggio (kg)	Vasca rotonda: 335 Vasca quadrata: 320	Vasca rotonda: 340 Vasca quadrata: 325	280	305	335
Potenza motore (kW)	50Hz: 1,5 60Hz: 1,8	50Hz: 1,5 60Hz: 1,8	50Hz: 1,5 60Hz: 1,8	50Hz: 1,5 60Hz: 1,8	50Hz: 1,5 60Hz: 1,8
Tipo di motore	Trifase	Trifase	Trifase	Trifase	Trifase
220v (A)	50Hz: 8 60Hz: 11	50Hz: 8 60Hz: 11	50Hz: 8 60Hz: 11	50Hz: 8 60Hz: 11	50Hz: 8 60Hz: 11
380v (A)	50Hz: 4,5 60Hz: 6,5	50Hz: 4,5 60Hz: 6,5	50Hz: 4,5 60Hz: 6,5	50Hz: 4,5 60Hz: 6,5	50Hz: 4,5 60Hz: 6,5
Ritmo di divisione-formatura (pezzi/h)			Da 400 a 3000 in base al tipo di griglia	Da 400 a 3000 in base al tipo di griglia	Da 400 a 3000 in base al tipo di griglia
Ritmo della spezzatura nella vasca	900	900			900
Peso degli impasti in divisione-formatura mini/maxi (gr)			Da 19 a 2500 in base al tipo di griglia	Da 19 a 2500 in base al tipo di griglia	Da 19 a 2500 in base al tipo di griglia
Peso degli impasti in divisione in vasca mini/maxi (gr)	150/950 300/1900 se opzione 10/20	150/950 300/1900 se opzione 10/20			150/950 300/1900 se opzione 10/20
Capacità della vasca (kg)	19	19	5	5	19 se spezzatura in vasca 5 se spezzatura formatura

Per un funzionamento perfetto, il tasso di idratazione deve essere almeno del 55% in divisione in vasca e di almeno il 70% in divisione formatura.

4.2 Dettaglio materiali a diretto contatto con la pasta

Vasca quadrata: INOX 304

Vasca rotonda: Ghisa FGL200

Livellatrici vasca quadrata: Alluminio rivestito GHA

Livellatrici vasca rotonda: Ghisa rivestita teflon

Coltelli: INOX 304

Coperchio: Alluminio AlSi10Mg

Griglia standard: INOX 430 rivestito teflon

Griglia profilata: Inox 430 rivestito teflon + EN AW-6060

Piastra premigrasso: PE-UHMW

5.1 Disimballo della macchina

Le macchine sono consegnate, franco fabbrica, su pallet, legate con cinghie e protette con pannelli di cartone. Prima di tutto, occorre esaminare l'imballaggio e ogni danno dovuto al trasporto deve essere dichiarato direttamente all'addetto alla consegna.

- A. Togliere il cartone.
- B. Togliere i pannelli laterali della macchina per guadagnare accesso alle viti che mantengono la macchina sul pallet.
- C. Staccare la macchina dal pallet svitando le 2 viti che la bloccano (fig. 5).
- D. Far scendere la macchina dal pallet. Accertarsi di essere almeno in due per questa operazione per ammortizzare al meglio il contatto con il terreno.
- E. **(TRADIFORM / DIVIFORM / DIVIFORM+)** Posizionare la struttura sul relativo supporto (fig. 6).
- F. **(Opzione EASYFLOUR)** Posizionare l'infarinatore e riempirlo di farina (fig. 6).

Dopo il disimballo della macchina, verificare che non abbia subito danni durante il trasporto. Segnalare ogni anomalia.

5.2 Posizionamento

Per ottenere performance eccellenti e affidabilità a lungo termine, scegliere una posizione:

Ben ventilata, al riparo dai raggi solari diretti e lontano da fonti di calore, con una superficie piana, robusta e priva di vibrazioni.

5.3 Collegamento elettrico

IMPORTANTE: Messa a terra obbligatoria.

Si consiglia di proteggere l'impianto con un fusibile e un salvavita.

L'impianto elettrico che alimenta la macchina deve essere protetto secondo quanto indicato qui di seguito:

- Nord America: Protezione 15 A;
- Resto del mondo: Protezione 16 A.

Le macchine dotate di variatore, devono necessariamente essere collegate ad una scatola di derivazione su di una linea dotata di salvavita di tipo B da 300 mA.

Nota: Ogni problema derivante da un altro tipo di collegamento non sarà preso in considerazione ai fini della garanzia.

Prima di collegare la macchina alla rete e onde evitare una dismissione del motore all'avvio, è importante verificare la compatibilità della rete di alimentazione con le caratteristiche della macchina (vedere la relativa targa segnaletica).

Questo apparecchio è conforme alle Direttive Macchine 2006/42, 2014/35, 2014/30 e reca la marcatura CE che attesta detta conformità.

Si invita a prendere visione della segnaletica di sicurezza che figura sulla macchina:



Segnale che indica un rischio di folgorazione. Scollegare la macchina prima di eseguire qualsiasi intervento. Questo segnale si trova all'interno della macchina sul quadro elettrico (fig. 13, n. 21).

All'interno dello sportello sinistro della spezzatrice si trova lo schema elettrico della macchina (fig.13, n. 22).



Segnale che indica un rischio di schiacciamento. Scollegare la macchina prima di eseguire qualsiasi intervento. Questo cartello si trova sui pannelli laterali (fig. 13, n. 23).

5.4 Messa in servizio

Prima della messa in servizio, accertarsi che non vi siano oggetti estranei sulle parti in movimento della macchina.

Accertarsi innanzitutto (dopo aver verificato le connessioni elettriche) che il motore giri nella direzione giusta, ovvero che le livellatrici salgano quando si tira a sé la leva di comando. Se no è questo il caso, staccare la presa e invertire 2 fasi al suo interno.

Per l'utilizzo della macchina, fare riferimento al capitolo "Utilizzo".

5.5 Pericolo

In caso di pericolo per l'utente o per la macchina, utilizzare l'interruttore di arresto d'emergenza per fermare la macchina.

Estrarre la scheda della presa elettrica prima di ogni operazione di manutenzione o di assistenza.

Ogni operazione di manutenzione o sostituzione delle parti deve essere effettuata da un agente autorizzato.

6.1 Organo di comando

La macchina è dotata di serie di un quadro comandi meccanico (fig. 3).

6.2 Zona di regolazione

La zona di regolazione della pressione e di recupero della farina si trova nella parte anteriore della macchina (fig. 7).

6.3 Zona di lavoro

La zona di lavoro si trova nella parte anteriore alla macchina (fig. 4).

7 UTILIZZO

Procedura di utilizzo nel taglio in vasca (solo DIV, DIV-R, TRADIFORM) (fig. 8, 9)

- A. Ruotare di 1/4 di giro verso destra il pulsante di arresto d'emergenza (fig. 3, n. 16), se non è azionato.
- B. Aprire il coperchio (se il coperchio risulta difficile da aprire, consultare il capitolo 10 Incidenti di funzionamento).
- C. Se occorre, infarinare leggermente le livellatrici nella vasca.
- D. Versare la pasta nella vasca e suddividerla grossolanamente a mano.
- E. Se occorre, infarinare leggermente la parte superiore della pasta.
- F. **(DIV-R e TRADIFORM)** È possibile regolare la pressione di compattazione grazie alla manopola di regolazione della pressione situata nella parte anteriore.
- G. Con l'**opzione 10/20**, è possibile scegliere di tagliare con 10 o 20 divisioni grazie al selettore frontale.
- H. Chiudere il coperchio della vasca.
- I. Tirare la leva di comando per far salire le livellatrici e dividere la pasta.
- J. Spingere brevemente la leva per decomprimere e aprire il coperchio.
- K. Aprire il coperchio.
- L. Tirare la leva per far salire le livellatrici e recuperare gli impasti.

Il pulsante di arresto d'emergenza consente di fermare un ciclo in corso.

Procedura di utilizzo in spezzatura-formatura (solo DIVIFORM, DIVIFORM+, TRADIFORM) (fig. 10, 11)

- A. Ruotare di 1/4 di giro verso destra il pulsante di arresto d'emergenza (fig. 3, n. 16), se non è azionato.
- B. **(DIVIFORM+, TRADIFORM)** Aprire il coperchio e posizionare la piastra di compattazione al fondo della vasca (se il coperchio risulta difficile da aprire, consultare il capitolo 10 Incidenti di funzionamento).
Non utilizzare mai più di una piastra di compattazione per volta. Non sovrapporre più piastre di compattazione nella vasca.
- C. Se occorre, infarinare leggermente la parte superiore della piastra premigrasso
- D. Versare la pasta nella vasca e suddividerla grossolanamente a mano.
- E. Se occorre, infarinare leggermente la parte superiore della pasta
- F. **(TRADIFORM)** È possibile regolare la pressione di compattazione grazie alla manopola di regolazione della pressione situata nella parte anteriore.
(DIVIFORM+) È possibile regolare la pressione di compattazione grazie alla manopola di regolazione della pressione situata sul fianco della spezzatrice.

(DIVIFORM) Passare alla fase K.

- G. Chiudere il coperchio.
- H. Tirare la leva di comando per far salire le livellatrici e dividere la pasta.
- I. Spingere brevemente la leva per decomprimere e aprire il coperchio.
- J. Aprire il coperchio.
- K. Chiudere il telaio.
- L. Tirare la leva per dividere la pasta.
- M. Spingere brevemente la leva per decomprimere e aprire il telaio.
- N. Aprire il telaio.
- O. Tirare la leva per far salire le livellatrici e recuperare gli impasti.

Il pulsante di arresto d'emergenza consente di fermare un ciclo in corso.

Procedura di sostituzione della griglia sistema Click&Cut (solo DIVIFORM, DIVIFORM+, TRADIFORM) (fig. 12)

- A. Premere sul pulsante di arresto d'emergenza.
- B. Chiudere il telaio.
- C. Aprire il vano griglia grazie al fermo che si trova sul lato sinistro del telaio.
- D. Aprire l'aletta del vano griglia.
- E. Estrarre la griglia vecchia.
- F. Inserire la griglia nuova.
- G. Richiudere l'aletta del vano griglia.
- H. Ruotare di 1/4 di giro verso destra il pulsante di arresto d'emergenza.

Procedura di riempimento dell'infarinatore Easyflour (OPZIONE EASYFLOUR)(fig. 14)

- A. Aprire il coperchio dell'infarinatore.
- B. Versare la farina nella zona di riempimento dell'infarinatore (fig. 14, n. 24).
- C. Chiudere il coperchio dell'infarinatore.
- D. Regolare la portata dell'infarinatore grazie al cursore (fig. 14, n. 25).

8.1 Quotidiana da parte di un utilizzatore addestrato

(fig. 15)

- A. Posizionare le livellatrici e i coltelli in basso e pulire la vasca e il coperchio.
- B. Premere il pulsante di pulizia dei coltelli per far salire i coltelli.
- C. Azionare l'arresto d'emergenza, scollegare la macchina e pulire i coltelli.
- D. Rimuovere l'arresto d'emergenza e ricollegare la macchina.
- E. Tirare la leva per far salire le livellatrici e aspirare i residui di pasta e di farina.

8.2 Settimanale da parte di un utilizzatore addestrato

(fig. 16)

- A. Premere il pulsante di risalita dei coltelli per far salire i coltelli.
- B. Azionare l'arresto d'emergenza, scollegare la macchina e rimuovere gli sportelli laterali servendosi di un cacciavite.
- C. Aspirare tutte le parti interne della macchina e le parti meccaniche.
- D. Riposizionare gli sportelli laterali e svuotare il cassetto di recupero della farina.
- E. Lavare tutto l'involucro del macchinario con un panno umido.
- F. Rimuovere l'arresto d'emergenza e ricollegare la macchina.

8.3 Annuale da parte di un agente autorizzato

- A. Posizionare le livellatrici in basso.
- B. Azionare il pulsante di arresto d'emergenza, scollegare la macchina e rimuovere lo sportello laterale destro servendosi di un cacciavite.
- C. Controllare il livello dell'olio (il livello deve essere compreso tra 4 e 5 cm dal bordo superiore della flangia in alluminio).

NOTA: Qui di seguito riportiamo un elenco non esaustivo degli oli idraulici compatibili:

CONDAT	HYDROLUB S46
ELF	HYDRELF DS46
CASTROL	AYSPIN AWS46
TOTAL	AZOLLA ZS32

- D. Rimuovere l'arresto d'emergenza e ricollegare la macchina.
- E. Verificare attentamente che l'agente autorizzato registri l'intervento al fine di mantenere la garanzia di 5 anni.

9 COMPONENTI DI CONSUMO

Al momento dell'ordine di parti di ricambio, verificare con l'agente autorizzato di quale parte si tratta in base al catalogo delle parti di ricambio emesso dal fabbricante.

Precisare sempre il codice della macchina indicato sulla targa segnaletica.

L'agente effettua gli ordini presso JAC.

9.1 Elenco dei COMPONENTI DI CONSUMO

RIFERIMENTO	NUOVA DESCRIZIONE	MODELLO
F1500009	GIUNTO DEL COPERCHIO	DIV-R, TRADIFORM
F1500004	MOLLA DEL COPERCHIO	DIV, DIV-R, DIVIFORM+, TRADIFORM
F1513364	MOLLA CLICK&CUT DESTRA	DIVIFORM, DIVIFORM+, TRADIFORM
10040012	PIASTRA DI USURA	DIV, DIV-R, DIVIFORM+, TRADIFORM
HUILEHYDROS46	OLIO IDRAULICO	TOUTES
F140000311	ECCENTRICO DOPPIO	DIV, DIV-R, DIVIFORM+, TRADIFORM
F1513326	ASSE DI CHIUSURA	DIVIFORM, DIVIFORM+, TRADIFORM

ATTENZIONE: La macchina deve obbligatoriamente essere messa fuori tensione per ogni intervento.

Problema	Verifica
Problema 1: La macchina non si mette in moto	Aprire immediatamente il coperchio, al fine di non lasciare la pasta a fermentare all'interno della vasca. (Se la maniglia è difficile da aprire manualmente, fare riferimento al Problema 7.) Verificare l'alimentazione generale e quella del motore Verificare che il relè termico sia attivato
Problema 2: La centrale idraulica si mette in marcia ma le livellatrici non salgono	Invertire 2 fasi sulla presa della macchina
Problema 3: La macchina non ha potenza	Verificare il livello dell'olio. Il livello deve essere compreso tra 4 e 5 cm dal bordo superiore
Problema 4: Le livellatrici salgono, ma i coltelli non escono	Contattare il proprio tecnico
Problema 5: Presenza di olio sul pavimento	Contattare il proprio tecnico
Problema 6: Impossibile aprire il coperchio, o La pasta è stata lasciata incustodita nella vasca chiusa	Non tentare di forzare l'apertura del coperchio. Non far manipolare la macchina a più di una persona. Non utilizzare uno strumento per forzare l'apertura del coperchio. Se un po' di pasta è fermentata per più di qualche minuto nella vasca, fare attenzione quando si cerca di aprire il coperchio. Rimanere a distanza dalla traiettoria di apertura del coperchio. Se non si riesce ad aprire il coperchio seguendo le istruzioni riportate nella nota d'utilizzo, contattare il proprio tecnico. Rimanere a distanza dalla traiettoria di apertura del coperchio
Problema 7: In caso di interruzione della corrente	Aprire immediatamente il coperchio, al fine di non lasciare la pasta a fermentare all'interno della vasca. (Se la maniglia è difficile da aprire manualmente, fare riferimento al Problema 6.)



Se il problema persiste, contattare il proprio tecnico.

11 ELENCO DEI COMPONENTI INDICATI NELLE FIGURE

Figura	Numero	Nome
1	1	Coperchio
	2	Giunto del coperchio
	3	Vasca
	4	Livellatrici
	5	Eliminazione della farina
	6	Impugnatura per la movimentazione
	7	Rotelle frenanti
	8	Maniglia di chiusura del coperchio
	9	Eccentrico di chiusura del coperchio
	10	Telaio della griglia
	11	Maniglia dello sportello
	12	Comparto di regolazione della pressione
2	13	Coltelli
3	14	Pulizia dei coltelli (solo DIV, DIV-R e TRADIFORM)
	15	Pulsante di selezione 10/20 (opzione 10/20)
	16	Arresto d'emergenza
	17	Leva di comando
4	18	Zona di lavoro
7	19	Cassetto di recupero della farina
	20	Regolazione della pressione
13	21	Segnale che indica un rischio di folgorazione
	22	Schema elettrico
	23	Segnale che indica un rischio di schiacciamento
14	24	Zona di riempimento dell'infarinatore Easyflour
	25	Cursore di regolazione della portata dell'infarinatore Easyflour

1	قبل التشغيل	102
2	الضمان	102
3	تنبيهات	103
4	المواصفات الفنية	104
4.1	المواصفات الفنية	104
4.2	تفاصيل الخامات الملامسة بشكل مباشر للعجين	104
5	التركيب والتشغيل	105
5.1	فك تغليف الآلة	105
5.2	الموضع	105
5.3	التوصيل الكهربائي	105
5.4	التشغيل	106
5.5	خطر	106
6	أضرار التحكم والسلامة	107
6.1	أضرار التحكم	107
6.2	منطقة ضبط	107
6.3	منطقة عمل	107
7	الاستخدام	107
8	الصيانة	109
8.1	يومية بواسطة مستخدم مُدرب	109
8.2	أسبوعية بواسطة مستخدم مُدرب	109
8.3	سنوية بمعرفة وكيل معتمد	109
9	قطع المستهلكات	110
9.1	قائمة قطع المستهلكات	110
10	الأحداث العارضة أثناء التشغيل	111
11	قائمة بالمكونات الموجودة في الأشكال	112

1 قبل التشغيل

نشكركم لاختياركم حلول JAC. تأكد من قراءة دليل الاستخدام هذا قبل تركيب وتشغيل هذه الآلة. يمكنك هكذا أن تحمي نفسك وتتجنب أن تتلف الآلة.

يشير هذا الدليل إلى أشكال مختلفة من أجل تسهيل فهم التعليمات. هذه الأشكال موجودة في نهاية الدليل. يُرجى الرجوع إليها ما إن ترى الرموز التالية (شكل كذا، رقم كذا).

من أجل أن تكون راضياً تماماً عن أداء هذه الآلة خلال السنوات القادمة، ندعوك إلى الاطلاع على النصائح التالية:

- استعن بوكيل معتمد من أجل التركيب والتشغيل والمتابعة.

- من أجل الاستفادة من الضمان ومدته 5 سنوات (انظر الشروط المذكورة بعد)، قم بواسطة الموزع، باستكمال دفتر الصيانة أثناء تركيب الآلة.

2 الضمان

تقدم شركة JAC ضماناً على كل منتجاتها مدته 5 سنوات.

يسري هذا الضمان على كل قطع الآلة، بما فيها القطع الإلكترونية، دون قطع المستهلكات. يسري الضمان من تاريخ تركيب المعدة.



بحسب الشروط المقيدة التالية:

- تم شراء المعدة من التوكيل المعتمد؛
- تم التركيب بمعرفة وكيل معتمد؛
- استخدام المعدة وفقاً لتعليمات دليل الاستخدام وفي الغرض التي صُنعت من أجل؛
- يتم صيانة المعدة يومياً وفقاً لإرشادات دليل الاستخدام؛
- يتابع الصيانة الوكيل المعتمد وفقاً لشروط الصيانة، مع إجراء الصيانة مرة في العام، على الأقل (الصيانة على حساب المستخدم)؛
- الاستخدام الحصري لقطع الغيار الأصلية من JAC.

إذا لم يكن يوجد صيانة من وكيل معتمد تقتصر فترة الضمان على عام واحد.

علمًا بأن الضمان لا يشمل:

- استبدال قطع المستهلكات (فقرة 9)؛
- قطع الغيار التي لم يقر قسم الخدمة الفنية بأنها تالفة؛
- المشاكل الناجمة عن الاستخدام غير السليم للمعدة؛
- المشاكل الناجمة عن تركيب لم يتم بمعرفة وكيل معتمد؛
- قطع الغيار أو المشاكل الناجمة عن تلف أثناء النقل أو المناولة غير المناسبة.

ليس من شأن الإصلاح و/أو الاستبدال لقطع الغيار التالفة الذي يتم خلال مدة الضمان أن يمدد هذا الضمان.



من المهم جدًا حفظ دليل الاستخدام هذا مع الجهاز للاطلاع عليه في المستقبل. إذا كان سيتم بيع أو نقل هذا الجهاز إلى شخص آخر، تأكد أن يتم إعطاء دليل الاستخدام هذا بحيث يستطيع المستخدم معرفة تشغيله والتنبيهات المتعلقة به.

تم إعطاء هذه التنبيهات حرصًا على سلامتك وعلى سلامة الآخرين. يُرجى قراءتها بانتباه قبل تركيب واستخدام الجهاز.

تم تصميم هذه الآلة لكي يستخدمها أشخاص بالغين مسموح لهم باستخدامها وتم تدريبهم. يُرجى ألا يلمسها الأطفال أو أن يستخدموها كلعبة.

هذه الآلة مخصصة حصريًا للاستخدام المهني.

من الخطر تعديل أو محاولة تعديل مواصفات هذه الآلة.

بعد تركيب هذه الآلة، تأكد أنها لا تستند على كابل الكهرباء.

اتبع التعليمات المعطاة من أجل الاستخدام.

يجب تخزين واستخدام هذه الآلة في الداخل، بعيدًا عن الرطوبة والحرارة.

يجب أن يكون هناك إضاءة كافية لهذه الآلة للقيام بالعمل.

المستوى الصوتي لهذه الآلة أقل من 75 ديسيبل وفقًا للمعيار EN ISO 3744.

يجب أن يستخدم هذه الآلة شخص واحد في الوقت الواحد.

لا تستخدم أكثر من لوح دك في الوقت الواحد. لا تقم بتكديس عدة ألواح دك في الحوض

الحوض

لا تترك العجين مطلقًا في الحوض أكثر من الوقت اللازم للعملية. افتح الغطاء على الفور بعد المرحلة السابقة على إجراء الاستخدام.

العجين هو منتج طبيعي حي ينتفخ أثناء التخمر. وينتج عن ذلك أن العجين المتخمر المتروك أكثر من عدة دقائق في الحوض يمكن أن يضغط بقوة على الغطاء. هذا الضغط يمكن أن يتسبب في حركة عنيفة للغطاء أثناء فتحه.

لا تستخدم مطلقًا أداة لفتح الغطاء بالقوة.

افصل دائمًا مأخذ التيار الكهربائي قبل القيام بالتنظيف الداخلي/الخارجي للجهاز وفي عمليات الصيانة (انظر الفصل 8).

هذا الجهاز ثقيل الوزن. اتخذ كل احتياطات الأمان أثناء مناولته.



TRADIFORM	DIVIFORM+	DIVIFORM	DIV-R	DIV	
1759	1759	1604	1759	1759	ارتفاع الغطاء والإطار مفتوح (مم)
832	832	832	600	600	العرض (مم)
772		732	772	772	العمق (مم)
× 880 × 800 1250	× 880 × 800 1250	× 880 × 800 1250	1250 × 880 × 800	1250 × 880 × 800	الحزم (مم)
315	285	260	الحوض المستدير: 320 الحوض المربع: 305	الحوض المستدير: 315 الحوض المربع: 300	الوزن الصافي (كجم)
335	305	280	الحوض المستدير: 340 الحوض المربع: 325	الحوض المستدير: 335 الحوض المربع: 320	الوزن الصافي + عبوة التغليف (كجم)
50 هرتز: 1.5 60 هرتز: 1.8	50 هرتز: 1.5 60 هرتز: 1.8	50 هرتز: 1.5 60 هرتز: 1.8	50 هرتز: 1.5 60 هرتز: 1.8	50 هرتز: 1.5 60 هرتز: 1.8	قوة الموتور (كيلو واط)
ثلاثي الأطوار (3 فازة)	ثلاثي الأطوار (3 فازة)	ثلاثي الأطوار (3 فازة)	ثلاثي الأطوار (3 فازة)	ثلاثي الأطوار (3 فازة)	نوع الموتور
50 هرتز: 8 60 هرتز: 11	50 هرتز: 8 60 هرتز: 11	50 هرتز: 8 60 هرتز: 11	50 هرتز: 8 60 هرتز: 11	50 هرتز: 8 60 هرتز: 11	220 فلت (A)
50 هرتز: 4.5 60 هرتز: 6.5	50 هرتز: 4.5 60 هرتز: 6.5	50 هرتز: 4.5 60 هرتز: 6.5	50 هرتز: 4.5 60 هرتز: 6.5	50 هرتز: 4.5 60 هرتز: 6.5	380 فلت (A)
من 400 إلى 3000 وفقاً لنوع الشبكة	من 400 إلى 3000 وفقاً لنوع الشبكة	من 400 إلى 3000 وفقاً لنوع الشبكة			معدل التقسيم والتشكيل (قطعة / ساعة)
900			900	900	معدل التقسيم في الحوض
19 إلى 2500 وفقاً لنوع الشبكة	19 إلى 2500 وفقاً لنوع الشبكة	19 إلى 2500 وفقاً لنوع الشبكة			وزن قطع العجين عند التقسيم والتشكيل حد أدنى/أقصى (جم)
950 / 150 إذا كان هناك خيار 10 / 20			950 / 150 إذا كان هناك خيار 10 / 20	950 / 150 إذا كان هناك خيار 10 / 20	وزن قطع العجين عند التقسيم في الحوض حد أدنى/أقصى (جم)
19 إذا كان التقسيم في الحوض 5 إذا كان تقسيم وتشكيل	5	5	19	19	سعة الحوض الداخلي (كجم)

من أجل تشغيل مثالي، يجب أن تكون نسبة الرطوبة 55% على الأقل عند التقسيم في الحوض و 70% على الأقل عند التقسيم والتشكيل.

4.2 تفاصيل الخامات الملامسة بشكل مباشر للعجين

الحوض المربع: فولاذ مقاوم للصدأ 304
الحوض المستدير: حديد زهر FGL200
مجارف للحوض المربع: ألومنيوم مغلف بحسب طريقة (GHA) golden hard anodizing
مجارف للحوض المستدير: حديد زهر مغلف بالتافلون
السكاكين: فولاذ مقاوم للصدأ 304
الغطاء: ألومنيوم AISi10Mg
شبكة قياسية: فولاذ مقاوم للصدأ 430 مغلف بالتافلون
شبكة انسيابية: فولاذ مقاوم للصدأ 430 مغلف بالتافلون + EN AW-6060
لوح دك سميك: PE-UHMW

5.1 فك تغليف الآلة

تُباع الآلات، عند خروجها من ورشنا، على ألواح، ومربوطة بأشرطة ومحمية بورق الكرتون. قبل القيام بأي شيء، يجب فحص العبوة وإبلاغ شركة التوصيل مباشرة بأي تلف ناتج عن النقل.

- A. اسحب الكرتون.
 - B. اسحب الأبواب الجانبية للآلة من أجل الوصول إلى البراغي التي تثبت الآلة على اللوح.
 - C. افصل الآلة من على اللوح بأن تقوم بفك البراغي الـ 2 التي تثبت الآلة (fig.5).
 - D. أنزل الآلة من على اللوح. أحرص على أن يقوم شخصان على الأقل بهذا الأمر من أجل تخفيف التلامس مع الأرض بشكل أفضل.
 - E. (TRADIFORM / DIVIFORM / DIVIFORM+) تركيب الإطار في مكانه على حامله (fig.6).
 - F. (خيار EASYFLOUR) قم بتركيب منفضة الدقيق واملأها بالدقيق (fig.6).
- بعد فك تغليف الآلة، تحقق أنها لم تتعرض للتلف أثناء النقل. وأبلغنا بأي عطب.

5.2 الموضع

للحصول على أداء ممتاز وفعالية على المدى الطويل، اختر موضعًا:

جيد التهوية، وبعيدًا عن أشعة الشمس المباشرة وبعيدًا عن مصادر الحرارة مع سطح مستو وقوي وخالي من الاهتزازات.

5.3 التوصيل الكهربائي

هام: توصيل الطرف الأرضي إلزامي. يُنصح بحماية التمديدات الكهربائية بمنصهر وقاطع تيار تفاضلي.

يجب حماية التمديدات الكهربائية التي تُغذي الآلة كما هو مُبين أدناه:

- أمريكا الشمالية: حماية 15 أمبير؛

بقية دول العالم: حماية 16 أمبير.

بالنسبة للآلات المجهزة بمُغزٍ كهربائي، فيجب توصيله على غُلبة التفريغ على خط مجهز بقاطع تيار تفاضلي 300 ملي أمبير من طراز B.

ملحوظة: أي مشكلة ناجمة عن التوصيل بشكل آخر لن يشملها الضمان.

قبل توصيل الآلة على شبكة الكهرباء ومن أجل تجنب وقف تشغيل الموتور عند توصيله بالكهرباء، من المهم التحقق من توافق شبكة الكهرباء مع مواصفات الآلة (انظر لوحة البيانات لهذه الآلة).

يتوافق هذا الجهاز مع التعليمات الخاصة بالآلات 42/2006 و 35/2014 و 30/2014 ويحمل علامة CE التي تشهد بهذا التوافق.

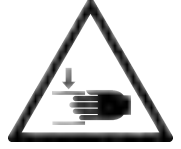
يرجى الاطلاع على الصور التوضيحية المتعلقة بالسلامة الموجودة على الآلة:

صورة توضيحية تُشير إلى خطر الصعق بالكهرباء. يُرجى فصل الكهرباء عن الآلة قبل أي إصلاح لها. سوف تجد هذه الصورة التوضيحية داخل الآلة على الصندوق الكهربائي (fig.13, n°21).



سوف تجد الرسم التخطيطي الكهربائي للآلة داخل الباب الأيسر لقطاع العجين (fig.13, n°22).

صورة توضيحية تُشير إلى خطر السحق. يُرجى فصل الآلة قبل أي إصلاح لها. سوف تجد هذه الصورة التوضيحية على الأبواب الجانبية (fig.13, n°23).



5.4 التشغيل

قبل التشغيل، تأكد من عدم وجود أي شيء دخيل على الأجزاء المتحركة للآلة.

تأكد أولاً (بعد التحقق من التوافق الكهربائي) أن الموتور يدور في الاتجاه الصحيح؛ وعلامة ذلك أن المجارف تصعد عندما تسحب ذراع التحكم ناحيتك. إذا لم يحدث هذا، افصل القابس وقم بقلب 2 فازة فيه.

لاستخدام الآلة، راجع فصل "الاستخدام".

5.5 خطر

في حالة وجود خطر على المستخدم أو على الآلة، استخدم زر الإيقاف في حالة الطوارئ لفصل التيار الكهربائي عن الآلة.

اسحب القابس من مأخذ التيار قبل القيام بأية عملية صيانة أو فحص.

أي عملية صيانة أو استبدال قطعة غيار يجب أن تتم بواسطة وكيل معتمد.

6.1 أضرار التحكم

الآلة مجهزة على التوالي بلوحة تحكم ميكانيكية (fig.3).

6.2 منطقة ضبط

توجد منطقة ضبط الضغط واستعادة الدقيق أمام الآلة (fig.7).

6.3 منطقة عمل

توجد منطقة عمل أمام الآلة (fig.4).

7 الاستخدام

خطوات الاستخدام عند التقطيع في الحوض (DIV, DIV-R, TRADIFORM فقط) (fig.8, 9)

- قم بلف زر إيقاف الطوارئ (fig.3, n°16) ربع لفة نحو اليمين، إذا لم يكن قد تم تشغيله.
- افتح الغطاء (إذا كان من الصعب فتح الغطاء، يُرجى الرجوع إلى الفصل 10 "الأحداث العارضة أثناء التشغيل").
- إذا اقتضى الأمر، قم بوضع قليلاً من الدقيق على المجارف في الحوض.
- ضع العجين في الحوض ووزعه باليد بغير اتقان.
- إذا اقتضى الأمر، قم بوضع قليلاً من الدقيق على أعلى العجين.
- (DIV-R و TRADIFORM) اضبط ضغط الدك باستخدام مقبض الضغط الموجود في الواجهة.
- مع خيار 10 / 20، اختر أن تقوم بتقطيع 10 أو 20 قطعة بفضل زر الاختيار في الواجهة.
- اغلق غطاء الحوض.
- اسحب زراع التحكم لرفع المجارف وتقسيم العجين.
- ادفع الذراع لوقت قصير من أجل تخفيف الضغط ليتم فتح الغطاء.
- افتح الغطاء.
- شد الذراع وارفع المجارف وأخرج قطع العجين.

يتيح زر الإيقاف في حالة الطوارئ إيقاف الدورة الجارية.

خطوات الاستخدام عند التقسيم والتشكيل (DIVIFORM, DIVIFORM+, TRADIFORM فقط) (fig.10, 11)

- قم بلف زر إيقاف الطوارئ (fig.3, n°16) ربع لفة نحو اليمين، إذا لم يكن قد تم تشغيله.
- (DIVIFORM+, TRADIFORM) افتح الغطاء وضع لوح الدك في قاع الحوض (إذا كان من الصعب فتح الغطاء، يُرجى الرجوع إلى الفصل 10 "الأحداث العارضة أثناء التشغيل").
لا تستخدم أكثر من لوح دك في الوقت الواحد. لا يتم بتكديس عدة ألواح دك في الحوض
- إذا اقتضى الأمر، قم بوضع قليلاً من الدقيق على أعلى صينية الفنجان السميكة
- ضع العجين في الحوض ووزعه باليد بغير اتقان.
- إذا اقتضى الأمر، قم بوضع قليلاً من الدقيق على أعلى العجين
- (TRADIFORM) اضبط ضغط الدك باستخدام مقبض الضغط الموجود في الواجهة.
(DIVIFORM+) اضبط ضغط الدك باستخدام مقبض ضبط الضغط الموجود على الجانب القطاعة.
(DIVIFORM) انتقل إلى المرحلة K.
- أغلق الغطاء.
- اسحب زراع التحكم لرفع المجارف وتقسيم العجين.
- ادفع الذراع لوقت قصير من أجل تخفيف الضغط ليتم فتح الغطاء.
- افتح الغطاء.
- أغلق الإطار.
- شد الذراع لتقطيع العجين.
- ادفع الذراع لوقت قصير من أجل تخفيف الضغط ليتم فتح الإطار.
- افتح الإطار.
- شد الذراع وارفع المجارف وأخرج قطع العجين.

يُتيح زر الإيقاف في حالة الطوارئ إيقاف الدورة الجارية.

خطوات تغيير الشبكة في نظام **Click&Cut (DIVIFORM, DIVIFORM+, TRADIFORM)** فقط (fig.12)

- A. اضغط على زر الإيقاف في حالة الطوارئ.
- B. أغلق الإطار.
- C. افتح مقطع الشبكة باستخدام القفل الموجود على الجانب الأيسر من الإطار.
- D. افتح مصراع مقطع الشبكة.
- E. اسحب الشبكة القديمة.
- F. ادخل الشبكة الجديدة.
- G. أغلق مصراع مقطع الشبكة.
- H. قم بلف زر إيقاف الطوارئ ربع لفة نحو اليمين.

طريقة ملء منفضة دقيق **Easyflour** (خيار fig.14) (**EASYFLOUR**)

- A. افتح غطاء منفضة دقيق.
- B. صب الدقيق في منطقة ملء منفضة دقيق (fig.14,n°24).
- C. أغلق غطاء منفضة دقيق.
- D. اضبط معدل تدفق منفضة دقيق باستخدام المؤشر المنزلق (fig.14,n°25).

8.1 يومية بواسطة مستخدم مُدرب

(fig.15))

- A. ضع المجارف والسكاكين في وضع منخفض وقم بتنظيف الحوض والغطاء.
- B. اضغط على زر تنظيف السكاكين من أجل رفع السكاكين.
- C. أضغط على زر الإيقاف في حالة الطوارئ، افصل الآلة وقم بتنظيف السكاكين.
- D. اسحب زر إيقاف الطوارئ وأعد توصيل الآلة.
- E. شد الذراع لرفع المجارف واشطف بقايا العجين والدقيق.

8.2 أسبوعية بواسطة مستخدم مُدرب

(fig.16))

- A. اضغط على زر رفع السكاكين من أجل رفع السكاكين.
- B. اضغط على زر الإيقاف في حالة الطوارئ وافصل الآلة واسحب الأبواب الجانبية باستخدام مفك براغي.
- C. اشطف من على كل الأجزاء الداخلية للآلة وكذلك الأجزاء الميكانيكية.
- D. أعد وضع الأبواب الجانبية وقم بتفريغ وعاء استعادة الدقيق.
- E. اغسل كل الهيكل باستخدام قطعة قماش رطبة.
- F. اسحب زر إيقاف الطوارئ وأعد توصيل الآلة.

8.3 سنوية بمعرفة وكيل معتمد

- A. ضع المجارف في وضع منخفض.
 - B. اضغط على زر الإيقاف في حالة الطوارئ وافصل الآلة واسحب الباب الجانبي الأيمن باستخدام مفك براغي.
 - C. افحص مستوى الزيت (يجب أن يكون المستوى بين 4 و 5 سم من الحافة العلوية للطوق الألومنيوم).
- ملحوظة: سوف تجد أدناه قائمة غير حصرية بالزيوت الهيدروليكية المتوافقة:

CONDAT	HYDROLUB S46
ELF	HYDRELF DS46
CASTROL	AYSPIN AWS46
TOTAL	AZOLLA ZS32

- D. اسحب زر إيقاف الطوارئ وأعد توصيل الآلة.
- E. تأكد من أن الوكيل المعتمد يقوم بتسجيل زيارته من أجل الحفاظ على ضمان الـ 5 سنوات.

أثناء طلب قطعة غيار، تأكد مع الوكيل المعتمد بشأن القطعة المطلوبة على أساس كتالوج قطع الغيار الذي أصدره الصانع. حدد دائماً رقم الآلة كما هو مبين على لوحة البيانات. ويقوم الوكيل بعمل الطلبات لدى شركة JAC.

9.1 قائمة قطع المستهلكات

الموديل	الاسم الجديد	الرقم المرجعي
DIV-R, TRADIFORM	جوان الغطاء	F1500009
DIV, DIV-R, DIVIFORM+, TRADIFORM	نابض الغطاء	F1500004
DIVIFORM, DIVIFORM+, TRADIFORM	نابض CLICK&CUT أيمن	F1513364
DIV, DIV-R, DIVIFORM+, TRADIFORM	لوح التآكل	10040012
TOUTES	زيت هيدروليكي	HUILEHYDROS46
DIV, DIV-R, DIVIFORM+, TRADIFORM	قرص لائمر كزي مزدوج	F140000311
DIVIFORM, DIVIFORM+, TRADIFORM	محور القفل	F1513326

انتبه: قبل القيام بأية إصلاحات، يجب فصل التيار عن الآلة.

المشكلة	التحقق
مشكلة 1: الآلة لا تعمل	افتح الغطاء على الفور، من أجل عدم ترك العجين يتخمر داخل الحوض. (إذا كان من الصعب فتح المقبض يدويًا، ارجع إلى المشكلة رقم 7). تحقق من التغذية بالتيار الكهربائي بشكل عام وتغذية الموتور بالتيار تحقق ما إذا كان المرحل الحراري قد انطلق
مشكلة 2: الطاقة الهيدروليكية تعمل لكن المجارف لا تصعد	قم بقلب 2 فارة في قابس الآلة
مشكلة 3: الآلة تفتقر إلى القوة	تأكد من مستوى الزيت يجب أن يكون المستوى بين 4 و 5 سم من الحافة العلوية
مشكلة 4: المجارف تصعد لكن السكاكين لا تخرج	اتصل بالفني
مشكلة 5: وجود زيت على الأرض	اتصل بالفني
مشكلة 6: لا يمكن فتح الغطاء، أو أنه تم ترك العجين دون مراقبة في الحوض المغلق	لا تحاول أن تفتح الغطاء بالقوة. لا يجب أن يتعامل أكثر من شخص مع الآلة. لا تستخدم أداة لفتح الغطاء بالقوة. إذا تخمر العجين أكثر من عدة دقائق في الحوض، كن حريصًا عند محاولة فتح الغطاء. ابتعد عن مسار فتح الغطاء. إذا تعذر فتح الغطاء وفقًا للتعليمات الموجودة في دليل المستخدم، فيرجى الاتصال بالفني. ابتعد عن مسار فتح الغطاء حتى يتدخل الفني.
مشكلة 7: في حالة انقطاع التيار	افتح الغطاء على الفور، من أجل عدم ترك العجين يتخمر داخل الحوض. (إذا كان من الصعب فتح المقبض يدويًا، ارجع إلى المشكلة رقم 6).

إذا استمرت المشكلة بعد ذلك، يرجى الاتصال بالفني.



الاسم	الرقم	شكل
غطاء	1	1
جوان الغطاء	2	
حوض	3	
مجارف	4	
تفريغ الدقيق	5	
مقابض المناولة	6	
عجلات صغيرة بفرملة	7	
مقبض غلق الغطاء	8	
قرص منحرف المركز لغلاق الغطاء	9	
إطار الشبكة	10	
مقبض باب	11	
قسم ضبط الضغط	12	
سكاكين	13	
تنظيف السكاكين (DIV, DIV-R و TRADIFORM فقط)	14	3
زر 20 / 10 (خيار 20 / 10)	15	
إيقاف الطوارئ	16	
زراع التحكم	17	4
منطقة عمل	18	
وعاء استعادة الدقيق	19	7
ضبط الضغط	20	
صورة توضيحية تُشير إلى خطر الصعق بالكهرباء.	21	13
رسم تخطيطي كهربائي	22	
صورة توضيحية تُشير إلى خطر السحق	23	
منطقة ملء منفضة دقيق Easyflour	24	14
مؤشر ضبط سرعة منفضة دقيق Easyflour	25	

fig.1



fig.2



fig.3

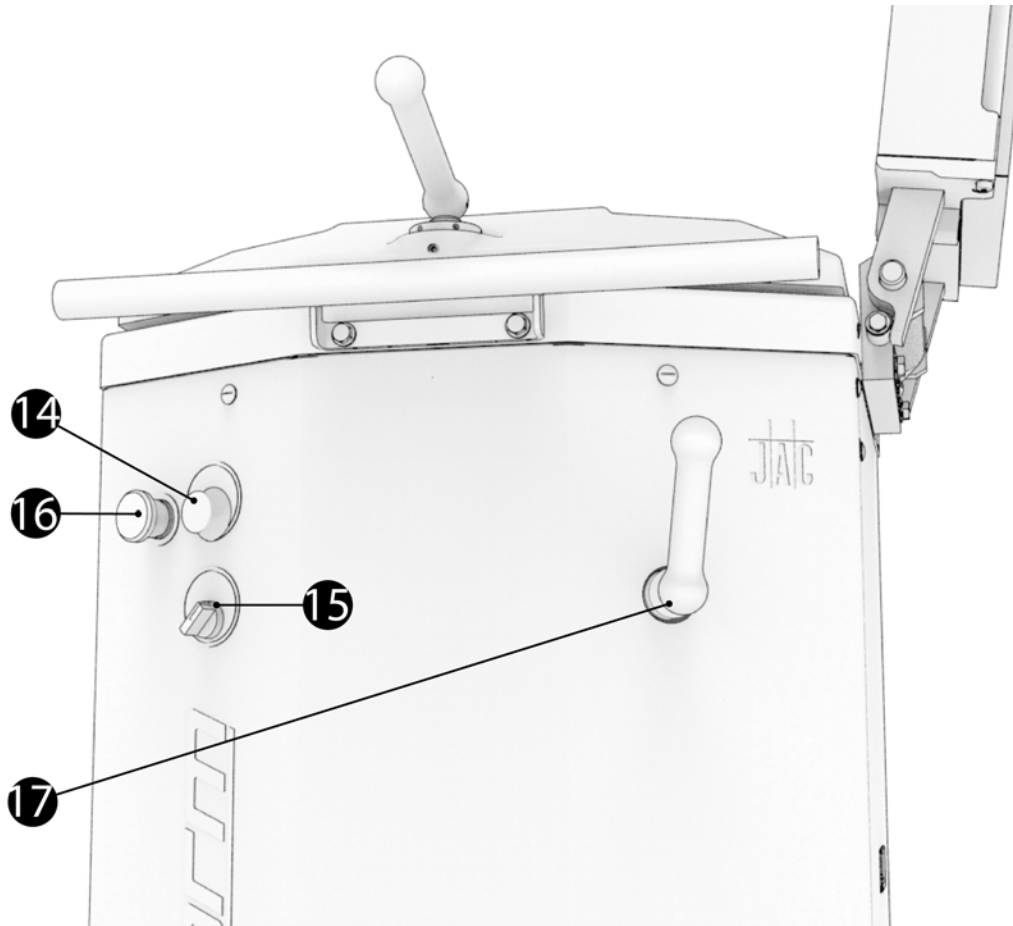


fig.4



fig.5

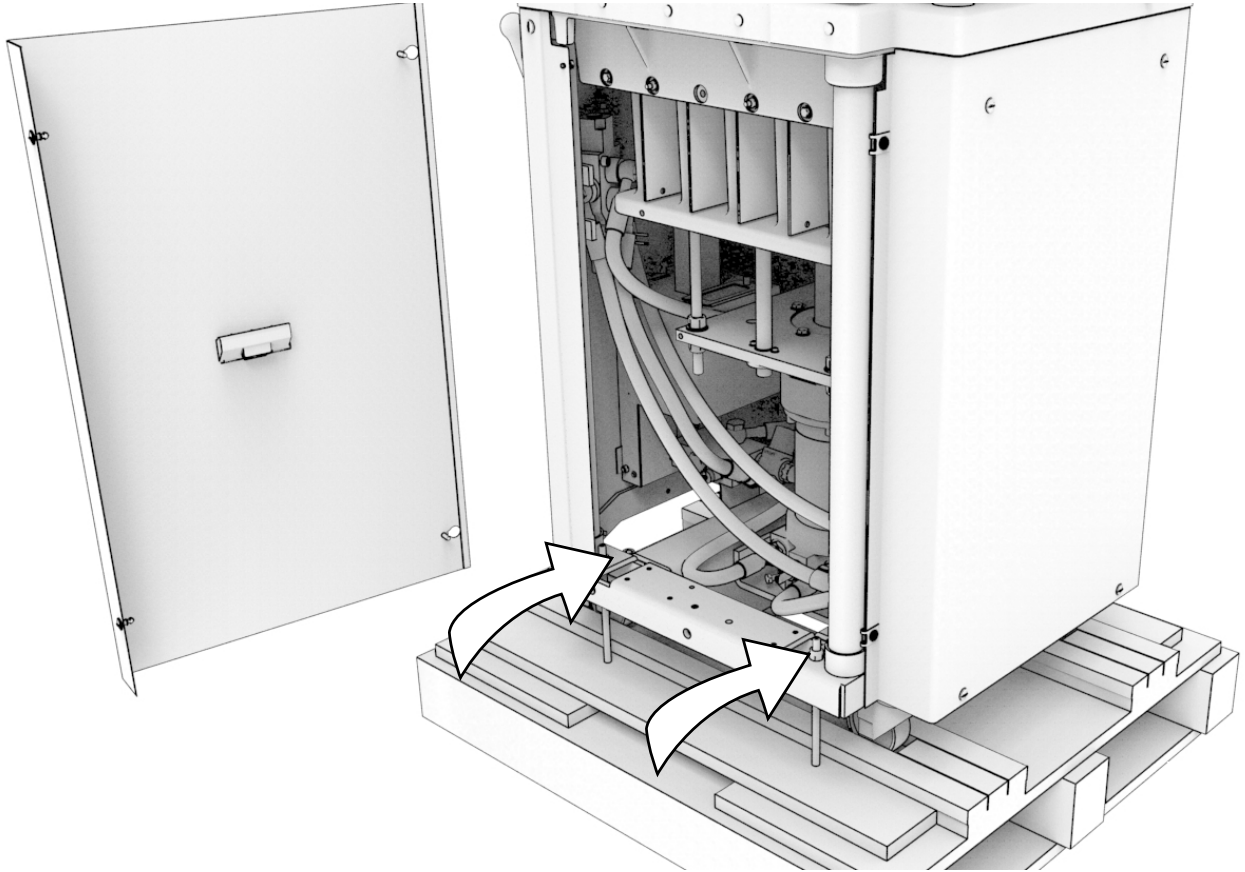


fig.6

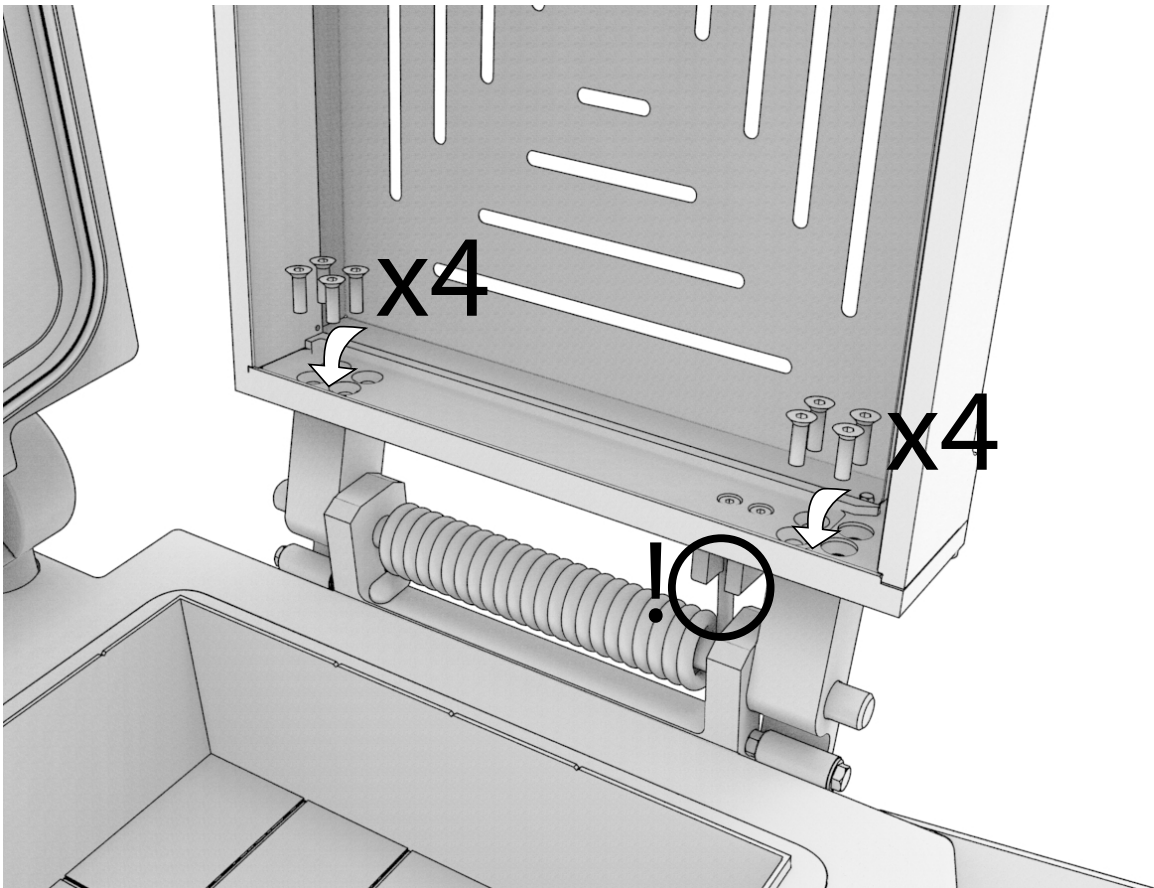


fig.7

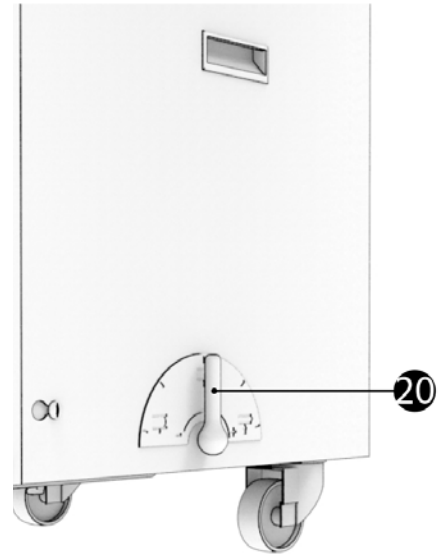
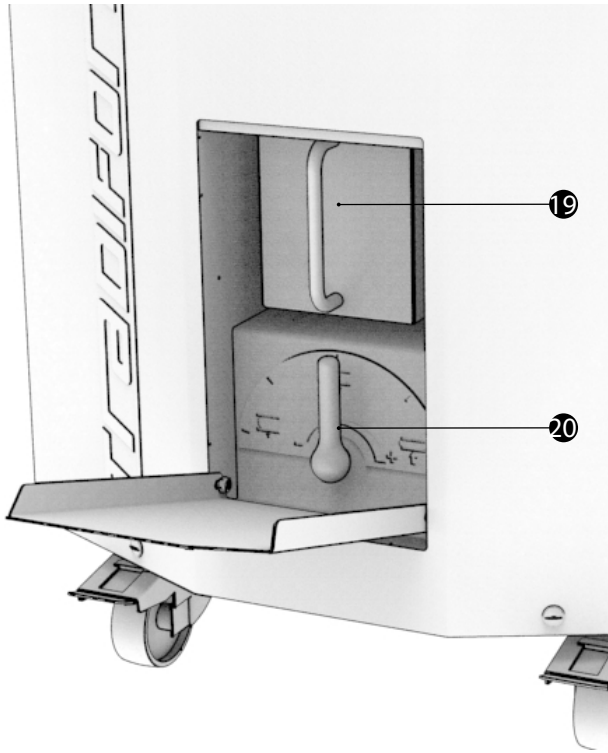


fig.8

A



B

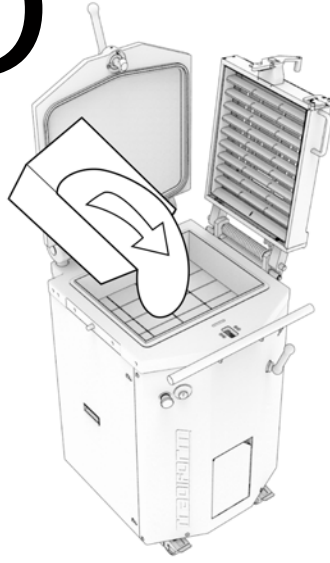


fig.9

C



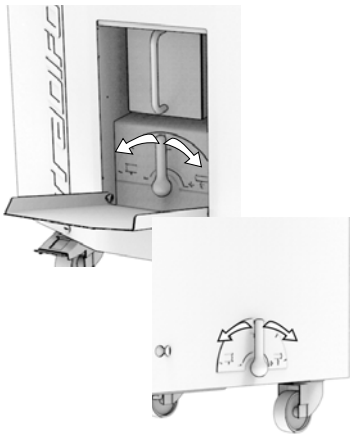
D



E



F



G



H



I



K



L

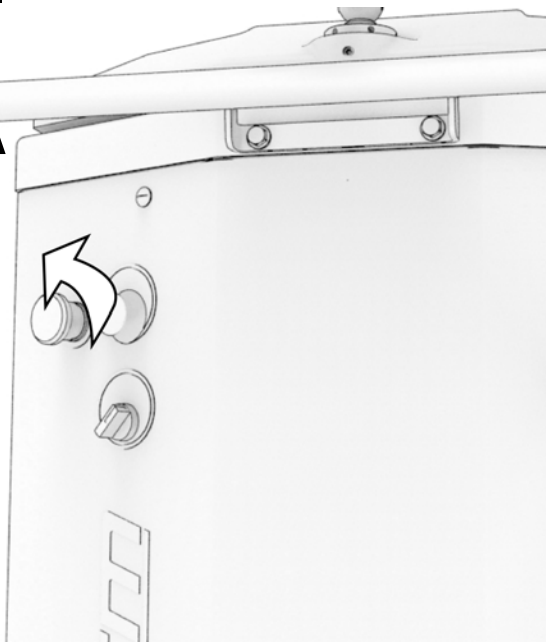


J

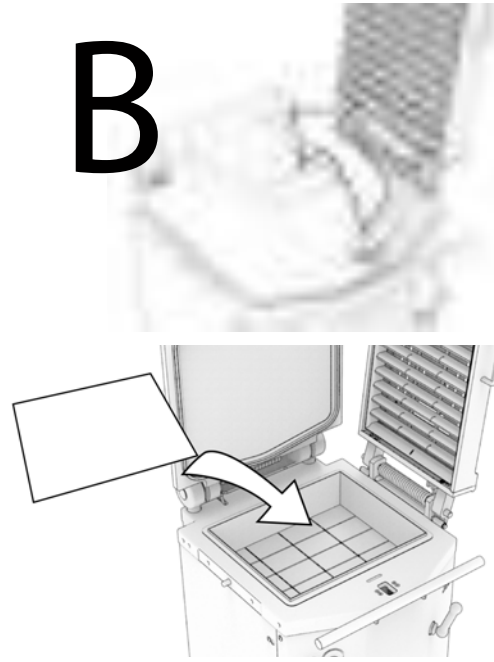


fig.10

A



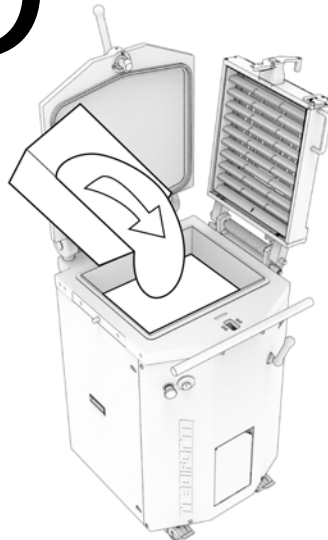
B



C



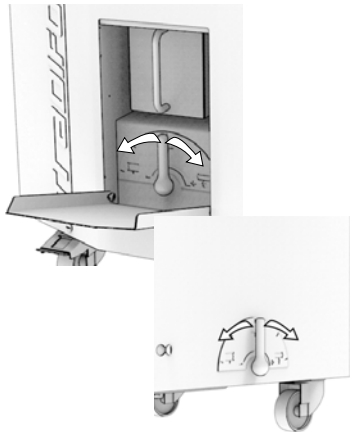
D



E



F



G



H



fig.11

I



J



K



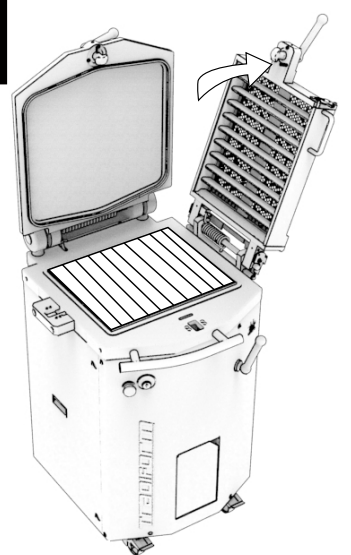
L



M



N



O

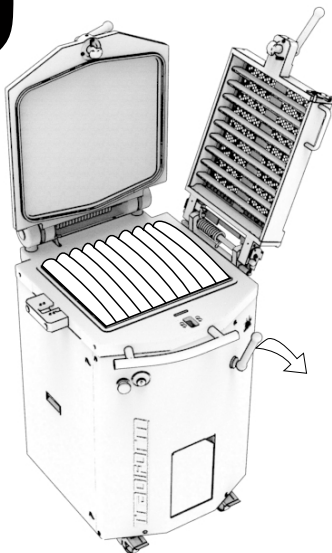
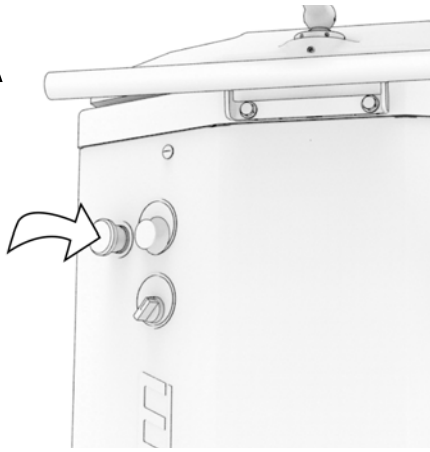
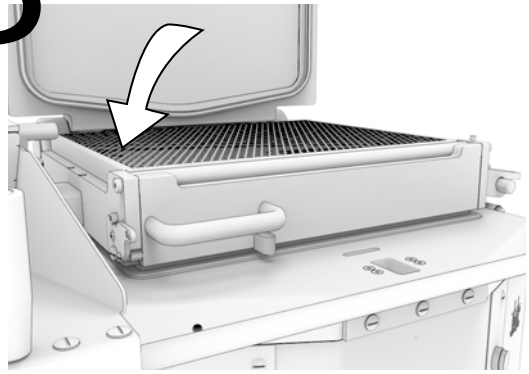


fig.12

A



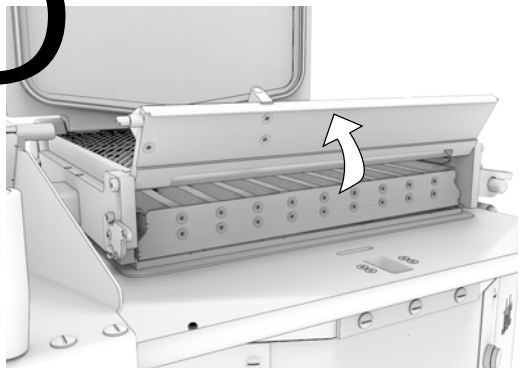
B



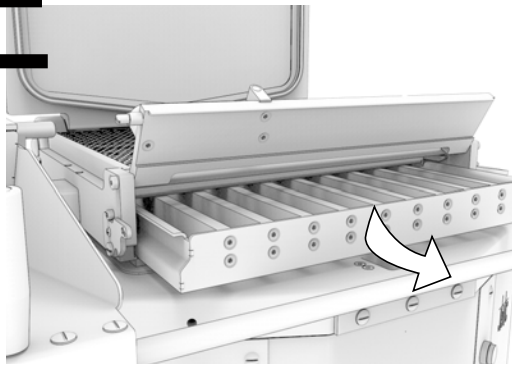
C



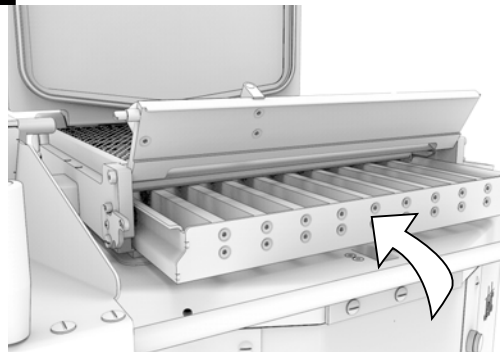
D



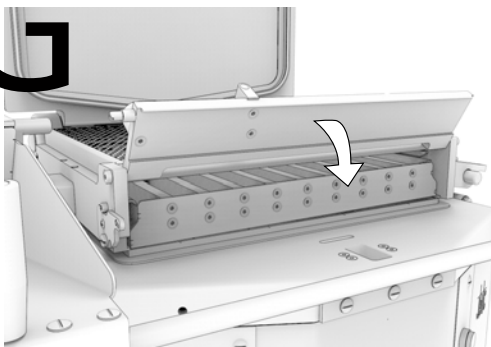
E



F



G



H



fig.13

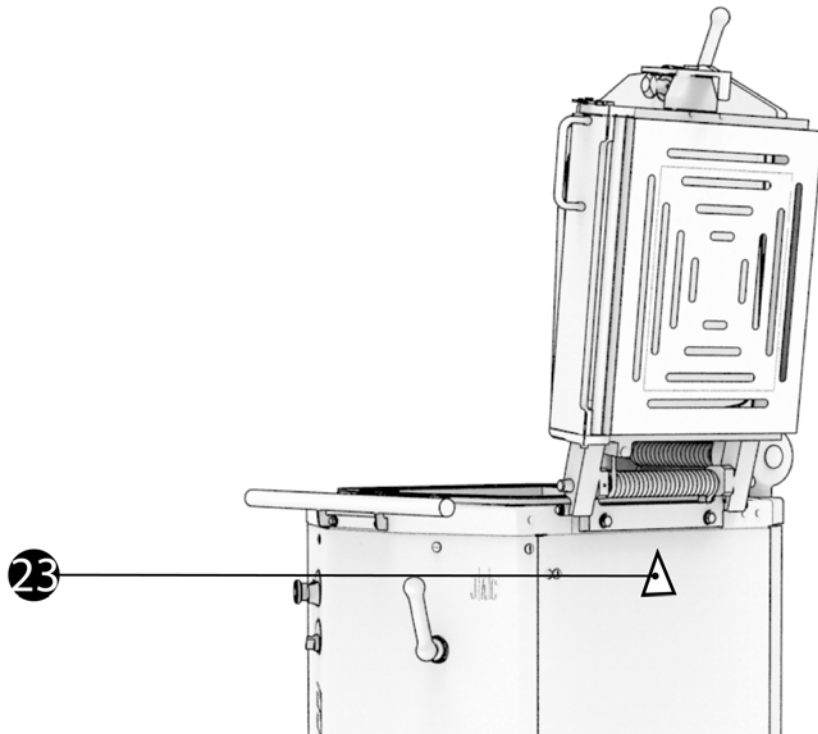
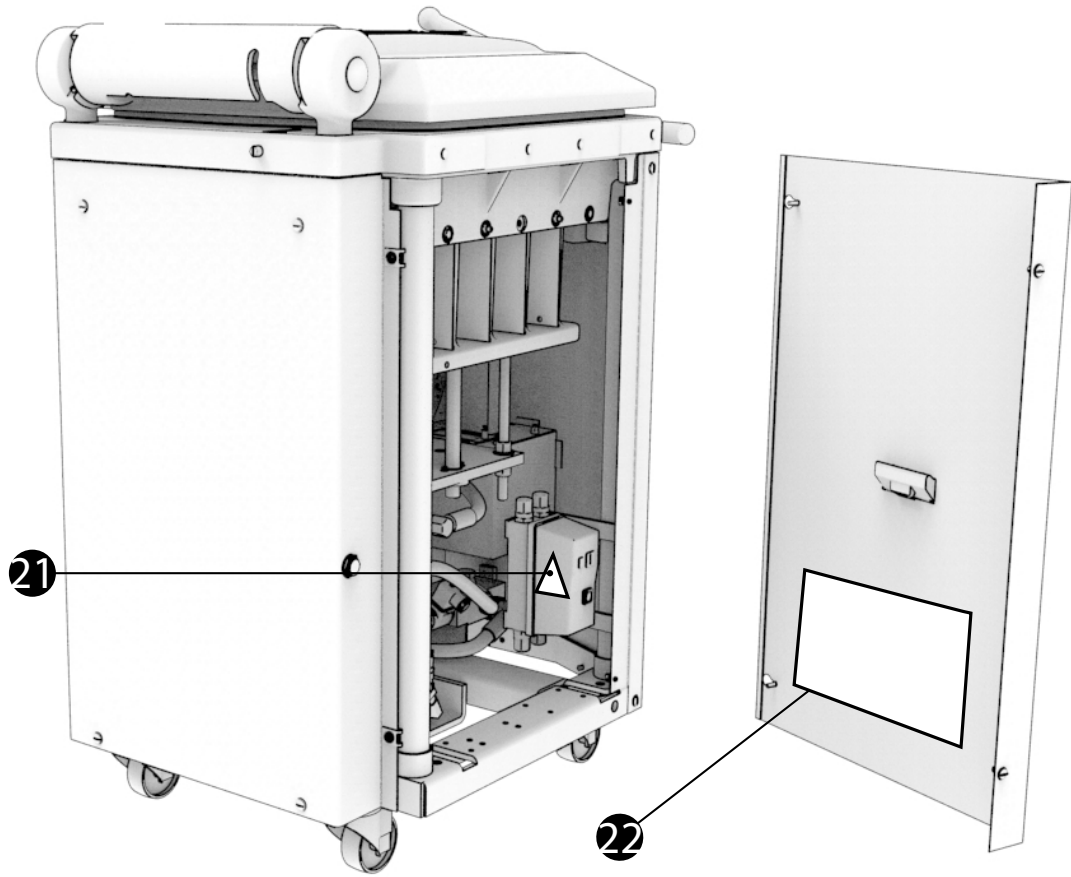


fig.14

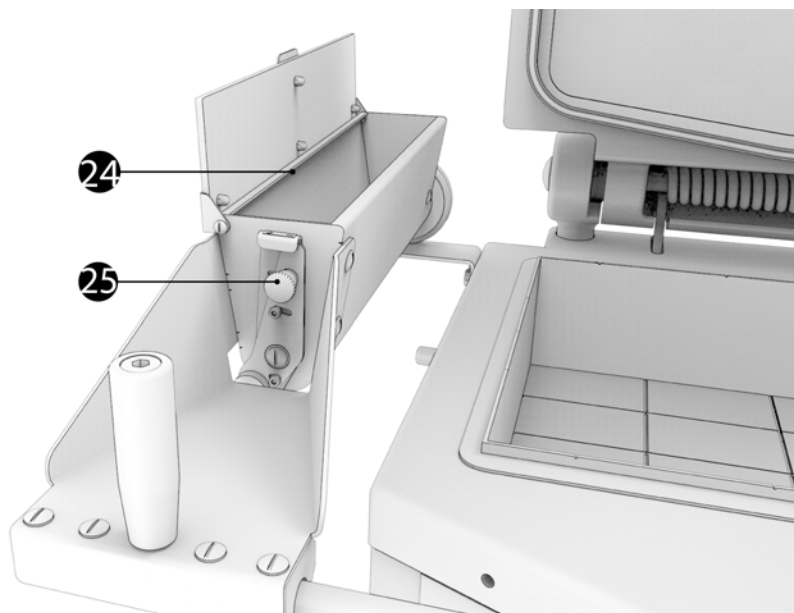


fig.15

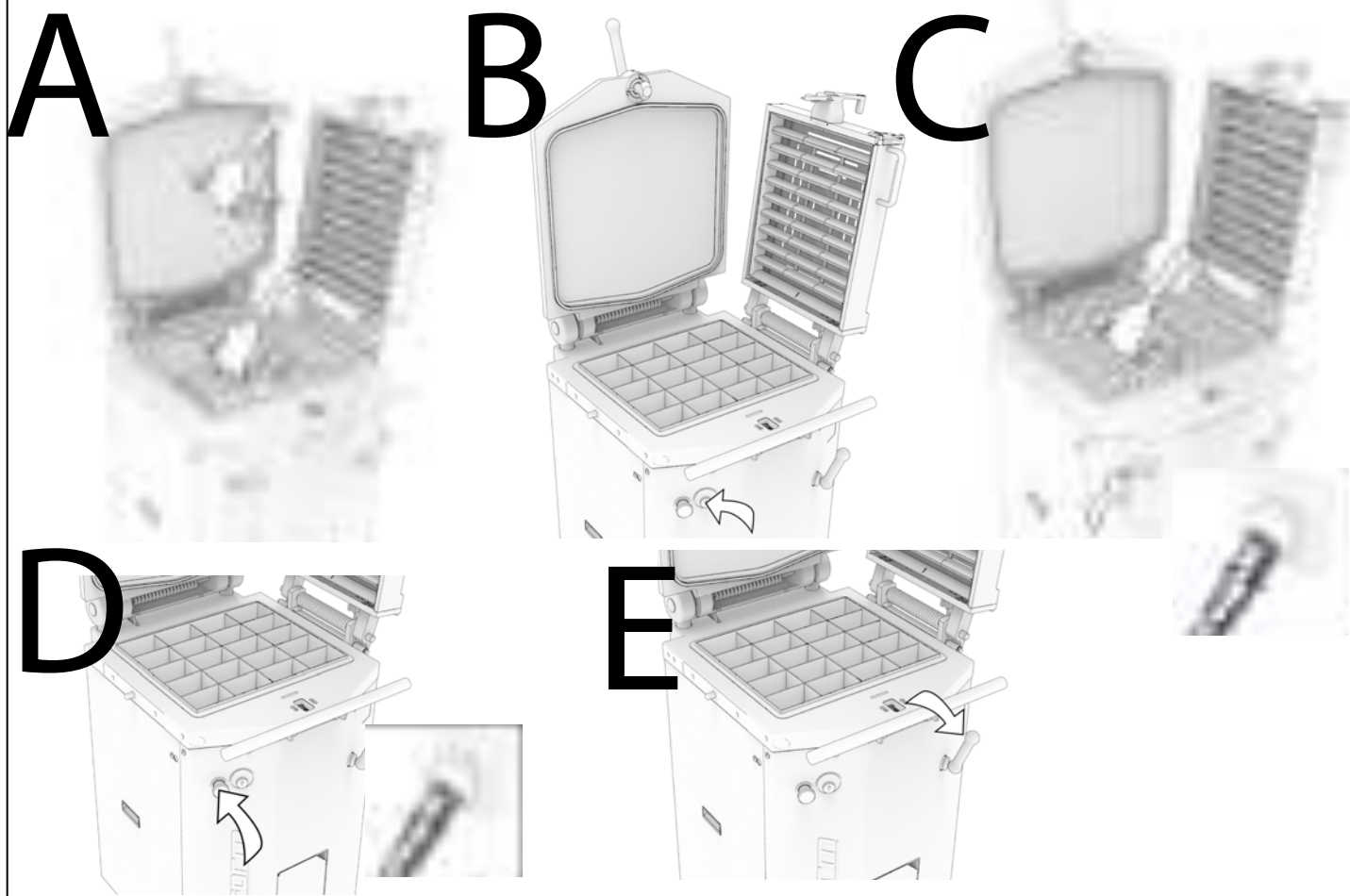
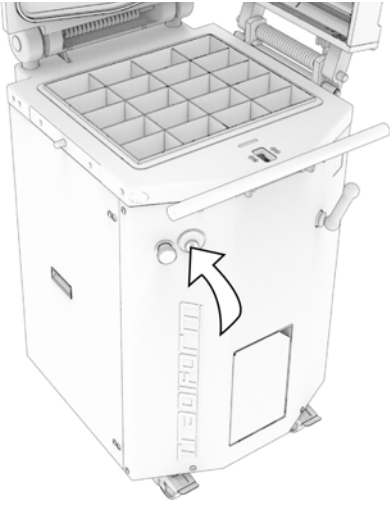


fig.16

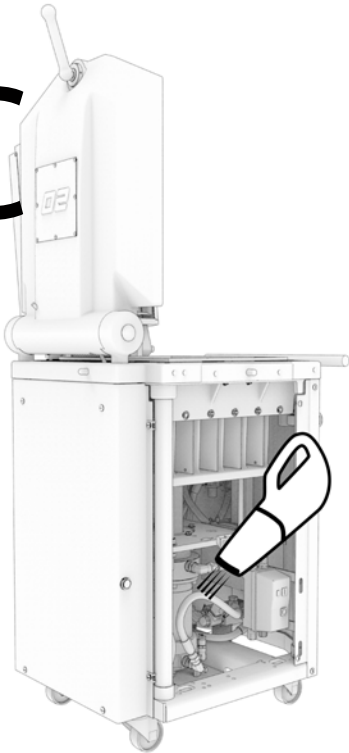
A



B



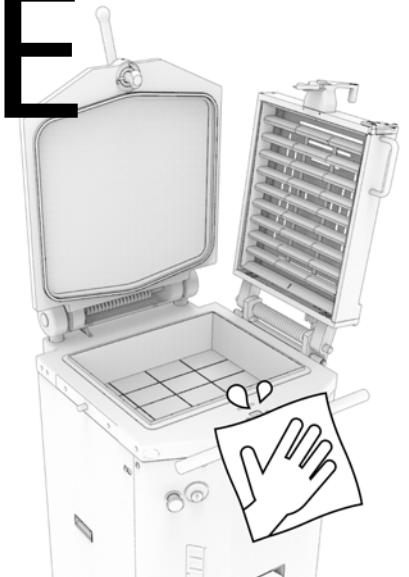
C



D



E



F





Traditionally Innovative

CONFORMITY DECLARATION TO THE EUROPEAN DIRECTIVES.
DECLARATION DE CONFORMITE AUX DIRECTIVES EUROPEENNES.
KONFORMITÄTSERKLÄRUNG AN DEN EUROPÄISCHEN RICHTLINIEN.
VERKLARING VAN OVEREENSTEMMING MET DE EUROPESE RICHTLIJNEN.
DICHIARAZIONE DI CONFORMITÀ ALLE DIRETTIVE EUROPEE.
DECLARACION DE CONFORMIDAD CON LAS DIRECTIVAS EUROPEAS.
ДЕКЛАРАЦИЯ СООТВЕТСТВИЯ ЕВРОПЕЙСКИМ ДИРЕКТИВАМ.
شهادة المطابقة مع التعليمات الأوروبية.

EN

The undersigned declares that the machine complies with the European Directives 2006/42/CE, 2014/35/UE, 2014/30/UE.

FR

Le soussigné déclare que cette machine est conforme aux directives européennes 2006/42/CE, 2014/35/UE, 2014/30/UE.

DE

Unterzeichner erklärt, daß diese Maschine den Europäischen Richtlinien 2006/42/CE, 2014/35/UE, 2014/30/UE entspricht.

NL

Ik ondertekende verklaart dat deze machine in overeenstemming met de Europese richtlijnen 2006/42/CE, 2014/35/UE, 2014/30/UE.

IT

li sottoscritto dichiara questa macchina conforme alle ultime versioni delle seguenti direttive europee: 2006/42/CE, 2014/35/UE, 2014/30/UE.

ES

El infrascrito declara que esta máquina es conforme con las directivas europeas 2006/42/CE, 2014/35/UE, 2014/30/UE.

RU

Нижеподписавшееся лицо заявляет, что данное устройство соответствует европейским директивам 2006/42/CE, 2014/35/UE, 2014/30/UE.

AR

يقر الموقع أدناه أن هذه الآلة متطابقة مع التعليمات الأوروبية أرقام CE/2006/42 و UE/2014/35 و UE/2014/30.

Complies with the following (parts of)
European Harmonised Standards:
EN 1672-2
1935/2004
EN ISO 12100-1
EN ISO 12100-2 §5, §6
EN 13954 if applicable
EN 61000-3-2, -3-3, -6-1, -6-3

Last update: 02/2020
Technical files compiled by:
Pierre-Yves Dorsimont
JAC S.A.
Chemin d'Éole, 1
B-4000 Sclessin
BELGIUM

Adrien Craeninckx
Chief Executive Officer
JAC s.a.