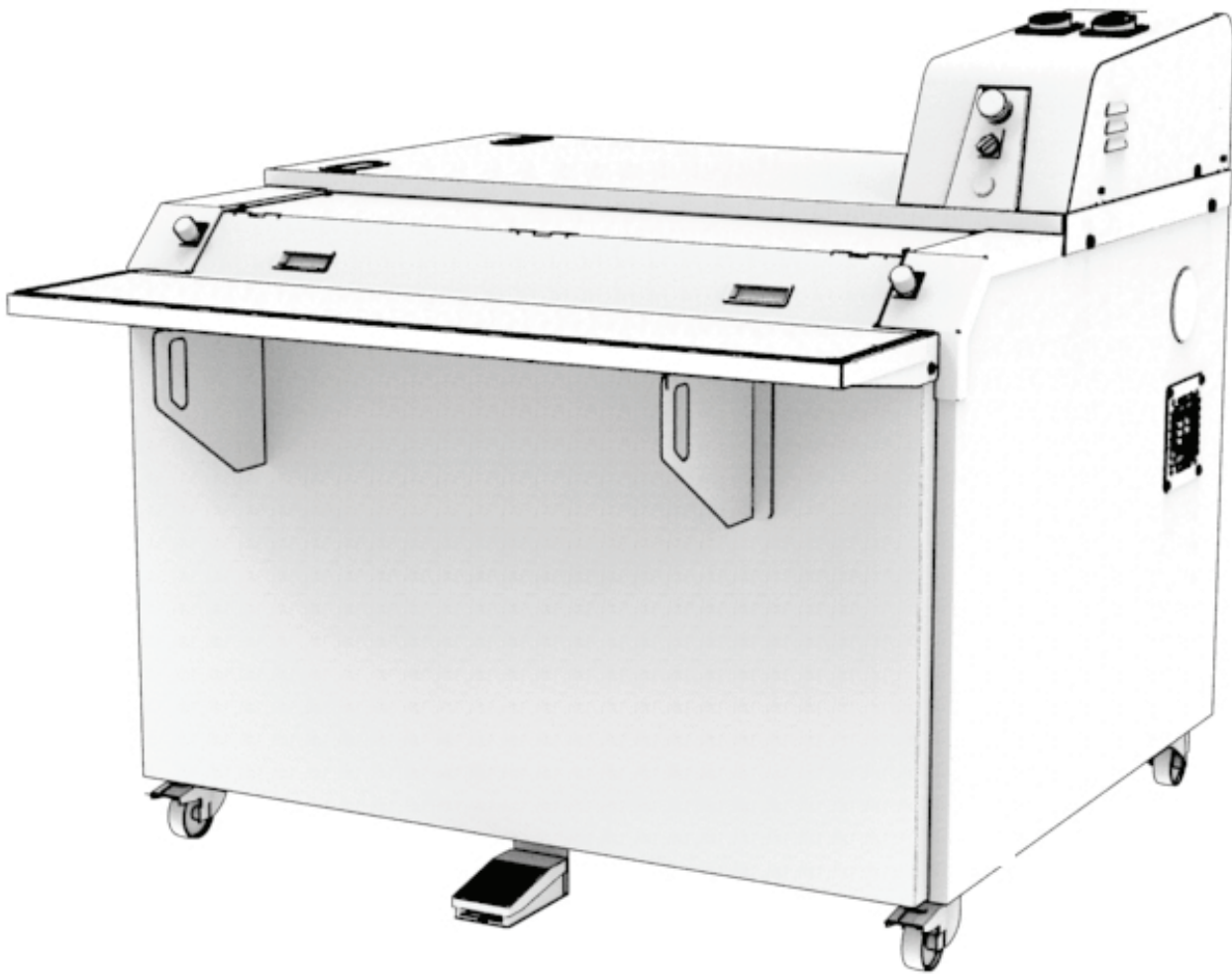




Traditionally Innovative

MB



EN – FR – DE – NL – RU – ES – IT – AR

V01-01-2017



EN- Translation of original user instructions	
MB Proofer	5
FR- Notice d'utilisation originale	
Chambre de repos MB	15
DE- Übersetzung der Originalanleitung	
Zwischengärschrank MB	25
NL- Vertaling van de originele gebruikershandleiding	
Rustkamer MB	35
RU. Перевод оригинального руководства по эксплуатации	
Шкаф предварительной расстойки MB	45
ES- Traducción del manual de uso original	
Cámara de reposo MB	55
IT- Traduzione delle informazioni sull'utilizzo originali	
Cella di riposo MB	65
فرنسي - ترجمة دليل الاستخدام الأصلي	
غرفة تمدد MB	75

1	BEFORE COMMISSIONING	6
2	WARRANTY	6
3	WARNINGS	7
4	TECHNICAL SPECIFICATIONS	8
4.1	Technical specifications	8
4.2	Details of materials in direct contact with dough	8
5	INSTALLATION AND COMMISSIONING	9
5.1	Unpacking the machine:	9
5.2	Positioning:	9
5.3	Electrical connection:	9
5.4	Commissioning:	10
5.5	Danger:	10
6	CONTROLS AND SAFETY FEATURES	10
6.1	Controls:	10
6.2	Work area:	10
7	OPERATION	11
8	MAINTENANCE	11
8.1	Daily, by a trained operator.	11
8.2	Weekly, by a trained operator.	11
8.3	Monthly, by a trained operator.	11
8.4	Annually, by an approved agent.	12
9	CONSUMABLES	12
9.1	List of CONSUMABLES	12
10	MALFUNCTIONS	13
11	MANUAL UNLOADING OF TROUGHS	13
12	LIST OF COMPONENTS IN ILLUSTRATIONS	14

1 BEFORE COMMISSIONING

Thank you for choosing a JAC system. It is essential that you read these instructions before installing and commissioning this machine. This will protect you and avoid damaging your machine.

These instructions refer to various illustrations in order to make them easier to understand. These illustrations are at the end of the instructions. Please refer to them whenever you see the following symbols: (fig.X, n°Y).

To ensure that your machine gives you full satisfaction over the coming years, we invite you to familiarise yourself with the following advice:

- Enlist the help of your approved agent for installation, commissioning and service support.
- In order to be covered by the 5-year warranty (see terms and conditions set out below), please have your dealer fill in the service booklet when your machine is being installed. The service booklet is at the back of your machine.

2 WARRANTY



All JAC products are covered by a 5-year warranty.

This warranty is valid for all parts on your machine, including electronic components but excluding consumables. The warranty takes effect on the date the equipment is installed.

Subject to the following restrictive conditions:

- Equipment acquired from an approved dealer;
- Installation carried out by an approved agent;
- Equipment used in accordance with the instructions for use and for the intended purpose for which it was manufactured;
- Equipment serviced on a daily basis in compliance with the instructions for use;
- Regular servicing by the approved agent in compliance with service specifications, with at least one service a year (servicing chargeable to the user).
- Exclusive use of genuine JAC parts.



If there is no record of servicing by an approved agent and/or if the service booklet has not been filled in correctly, warranty cover will be limited to one year.

This warranty does not cover:

- Replacement of consumables (§9);
- Parts not accepted as defective by our company;
- Problems due to improper use of the equipment;
- Problems due to installation not carried out by an approved agent;
- Parts or problems due to transit damage or improper handling.

Repairing and/or replacing defective parts during the warranty period does not bring about an extension of said warranty.

3 WARNINGS

It is most important that these user instructions be kept with the machine for any future reference. Should this machine be sold or transferred to another user, please ensure that the user instructions are handed over so that the new user can be familiarised with its operation and the warnings associated with it.



These warnings are given for your safety and that of others. We would therefore ask you to read them carefully before installing and using the machine.

This machine has been designed for use by authorised adults. Please therefore ensure that children do not touch it or use it as a toy.

This machine is intended exclusively for professional use.

It is dangerous to modify or attempt to modify the specifications of this machine.

After having installed this machine, please ensure that it is not standing on the power cable.

Follow the instructions given for its use.

This machine must be stored and used in an indoor room, protected from moisture and heat.

This machine must be adequately illuminated to operate it.

The noise level of this machine does not exceed 75 dB(A) in accordance with EN ISO 3744.

This machine must be used by one person at a time (unless otherwise specified).



Always disconnect the mains supply before cleaning the machine inside/outside and when carrying out maintenance.

This machine is heavy. Take all necessary safety precautions when handling it.

4 TECHNICAL SPECIFICATIONS

4.1 Technical specifications

	MB S	MB L	MB XL
Height (mm)	1206	1206	1206
Width (mm)	1310	1610	1610
Depth (mm)	1120	1120	1320
Trough length (mm)	1060	1360	1360
Trough width (mm)	140 (160)		
Total number of troughs	33 (26)	33 (26)	40 (32)
Packaging (mm)	205x140x130		
Net weight (kg)	250	260	350
Net weight + packing (kg)	280	290	380
Motor power rating (kW)	0.25		
Motor type	Three-phase		
Trough material	Synthetic felt		

Germicidal lamp with protection and air extractor	optional
Folding rounding shelf	optional
Foot control	optional
Monofilament troughs	optional
Water-repellent troughs (Arconet)	optional

		350 G DOUGH PIECES		550 G DOUGH PIECES		750 G DOUGH PIECES		950 G DOUGH PIECES	
		Number per trough	Maximum capacity	Number per trough	Maximum capacity	Number per trough	Maximum capacity	Number per trough	Maximum capacity
STANDARD TROUGHES	MB S	7	231	6	198				
	MB L	9	297	8	264				
	MB XL	9	360	8	320				
WIDE TROUGHES	MB S	7	182	6	156	5	130	4	104
	MB L	9	234	8	208	7	182	6	156
	MB XL	9	288	8	256	7	224	6	192

4.2 Details of materials in direct contact with dough.

Rounding shelf: Wool

Troughs: Synthetic felt/Synthetic/Arconet

5 INSTALLATION AND COMMISSIONING

5.1 Unpacking the machine:

Machines are delivered from our works on pallets, strapped and protected with cardboard. First of all, the packaging must be examined and any damage caused in transit must be declared directly to the carrier.

- A. Remove straps, taking particular care when they are released by cutting.
- B. If the machine is already assembled, take it of the pallet with care.
- C. If the machine is in kit form, please refer to the assembly Instructions.

After unpacking your machine, check that it has not been damaged in transit. Notify us of any defects.

5.2 Positioning:

In order to achieve excellent performance and long-term reliability, choose a location that is:

Well ventilated, shielded from direct sunlight and away from sources of heat, with a flat and sturdy surface free from vibration.

5.3 Electrical connection:

IMPORTANT: This machine must be earthed.

It is recommended that the system be protected with a fuse and an RCD.

Your mains electricity supply to the machine must be protected as indicated below:

- North America: 15 A protection;
- Rest of the world: 16 A protection.

For machines equipped with a variable speed drive, it is imperative that they be connected to a junction box on a circuit fitted with a 300 mA RCD.

Note: Any problem resulting from any other type of connection will not be covered under warranty.

Before connecting your machine to the mains supply and in order to prevent the motor from burning out when it is switched on, it is important to check that the mains supply matches the machine specification (see machine nameplate).

This machine complies with Machinery Directives 2006/42, 2006/95, 2004/108 and is CE marked as proof of this.

Please familiarise yourself with the safety pictograms displayed on the machine:



This pictogram indicates an electrocution hazard. Please isolate the machine before carrying out any work on it. You will find it on the control panel, which acts as an electrical enclosure (fig.8, n°13).

You will find the circuit diagram for the machine inside the electrical enclosure (fig.8, n°12).

5.4 Commissioning:

Before commissioning, ensure that there are no extraneous objects interfering with the machine's moving parts.

Ensure first of all (after verifying electrical compatibility) that the motors are rotating in the right direction, if so, the troughs will move in the right direction (otherwise switch 2 phases at the motor).

For machine operation, please refer to the "Operation" chapter.

5.5 Danger:

If the user or the machine is in danger, you must use the main isolator switch to cut the power supply to the machine.

Keep clear of the tray proofers when they are in motion.

Remove the plug from the power socket before any maintenance and/or servicing work.

Any maintenance work or replacement of parts must be carried out by an approved agent.

6 *CONTROLS AND SAFETY FEATURES*

6.1 Controls:

Your machine is equipped as standard with a mechanical control panel (fig.3).

6.2 Work area:

The work and setting area is located at the access to the tray proofers (fig.2, n°5).

7 OPERATION

- A. Twist the mushroom (emergency stop) button $\frac{1}{4}$ turn to the right if it has not been released (fig.3, n°9).
- B. Press and release one of the pushbuttons and the tray proofers will advance one by one and stop automatically at the next one (fig.3, n°6,11).
- C. Press and hold a pushbutton and the tray proofers will keep on advancing as long as the button is held down and stop automatically at the next tray proofer when the button is released.
- D. You can load your MB (fig.4).
- E. To use the UV option, set the switch to the UV position (fig.3, n°10). Ensure that the protective panel (fig.1, n°1) is pulled to the stop position.

To extend the shelf (fig.1, n°2): (fig.6)

- A. Raise the shelf.
- B. Unfold the two brackets to support the shelf.



For reasons of food hygiene, under no circumstances must dough or flour left on the top of the machine or outside it, be reused or reintroduced into the food chain.

8 MAINTENANCE

8.1 Daily, by a trained operator.

Start the UV cycle (if UV option fitted) (7.E).

8.2 Weekly, by a trained operator.

Clean the troughs using a dry brush and if necessary use a plastic scraper to scrape off dough residues that may be adhering to the felt parts.

Clean the outside of the machine at least once a week; wash the entire body using a non-abrasive sponge and warm soapy water.

Rinse off using a non-abrasive sponge and dry carefully with a soft lint-free cloth.

Never wash the machine by hosing it down.

8.3 Monthly, by a trained operator.

Clean the inside with a vacuum cleaner to remove accumulations of dough or flour on the chain tracks and the frame.

Blow out the chains to remove any trace of flour.

8.4 Annually, by an approved agent.

Check and adjust chain tension.

Lubricate chain pivots.

Lubricate drive chain.

WARNING: DO NOT USE THICK OIL OR NON-FOOD-GRADE GREASE.

9 CONSUMABLES

When ordering spare parts, check with your approved agent which part is required based on the spare parts catalogue issued by the manufacturer.

Always quote the machine serial number shown on the nameplate.

Your agent will place the orders with JAC.

9.1 List of CONSUMABLES

ITEM CODE	NEW DESCRIPTION	MODEL
GERMICIDAL LAMP	GERMICIDAL LAMP	ALL
F201192	TROUGH FELT	MB L/XL
F201112500	MONOFILAMENT TROUGH, WHITE	MB L/XL
F201112501	MONOFILAMENT TROUGH, BLUE	MB L/XL
F20119202	TROUGH, ARCONET-T	MB L/XL
F2011122	TROUGH, WIDE FELT	MB L/XL
F201112600	MONOFILAMENT TROUGH, WIDE, WHITE	MB L/XL
F201112601	MONOFILAMENT TROUGH, WIDE, BLUE	MB L/XL
F201112202	TROUGH, WIDE, ARCONET-T	MB L/XL
F2011117	TROUGH FELT	MB S
F201112300	MONOFILAMENT TROUGH, WHITE	MB S
F201112301	MONOFILAMENT TROUGH, BLUE	MB S
F201111702	TROUGH, ARCONET-T	MB S
F2011120	TROUGH, WIDE FELT	MB S
F201112401	MONOFILAMENT TROUGH, WIDE, BLUE	MB S
F201112002	TROUGH, WIDE, ARCONET-T	MB S
F2011042	MOTOR DRIVE CHAIN	MB S/L/XL

10 MALFUNCTIONS

WARNING: The machine must be isolated from the power supply before attempting any work on it.

Problem	Check
The machine will not start	Check the electric power supply. Check the thermal cut-out. Check that the emergency stop button has not been activated. Check that the start button has been operated.
The motor is humming but will not start	Check the power supply, a phase may be down.
The machine won't stop or stops at once in a random position	Check for anything preventing operation of the limit switch located in the right-hand top panel.
The chain jumps and creaks	Check chain tension. Check for correct lubrication. Check the condition of sprockets. The four M14 nuts located under the machine must be removed.
The troughs invert	Check troughs are not distorted. Check that the Velcro fastenings have not become detached.



Should the problem persist, please contact your technician.

11 MANUAL UNLOADING OF TROUGHES

(fig.7)

WARNING: before starting any work, activate the main shut-down and disconnect the mains lead.

The dough piece proofer may be operated manually in the event of a power failure or any other problem that might prevent the motor from running:

- A. Remove the motor cover by removing the 4 screws that hold it down.
- B. Remove the plastic cap protecting the bearing.
- C. Remove the M8 screw on the end of the reduction shaft.
- D. Turn the release hub around.

- E. Replace the M8 screw on the end of the shaft without tightening it, to hold the assembly together.
- F. Turn the machine over using the ratchet spanner supplied, by engaging it with the hollow hexagonal section of the drive shaft.
- G. After use, re-engage the drive assembly, carrying out steps C, D and E in reverse order.
- H. Refit the motor cover.

12 LIST OF COMPONENTS IN ILLUSTRATIONS

Figure	Item	Description
1	1	UV closure panel
	2	Rounding shelf
	3	Control panel
	4	Plastic cap
2	5	Work area
3	6	Trough movement pushbutton
	7	Foot control (optional)
	8	Power sockets
	9	Emergency stop
	10	UV selector
8	11	Trough movement pushbutton
	12	Pictogram indicating an electrocution hazard
	13	Electrical enclosure

1	AVANT LA MISE EN SERVICE.....	16
2	GARANTIE.....	16
3	AVERTISSEMENTS	17
4	CARACTERISTIQUES TECHNIQUES.....	18
4.1	Caractéristiques techniques.....	18
4.2	Détail des matériaux en contact direct avec la pâte.....	18
5	INSTALLATION ET MISE EN SERVICE.....	19
5.1	Déconditionnement de la machine	19
5.2	Emplacement	19
5.3	Raccordement électrique.....	19
5.4	Mise en service	20
5.5	Danger	20
6	ORGANE DE COMMANDE ET DE SECURITE	20
6.1	Organe de commande.....	20
6.2	Zone de travail	20
7	UTILISATION.....	21
8	ENTRETIEN.....	21
8.1	Journalier par un utilisateur formé.....	21
8.2	Hebdomadaire par un utilisateur formé.....	21
8.3	Mensuel par un utilisateur formé	21
8.4	Annuel par un agent agréé	22
9	CONSOMMABLES.....	22
9.1	Liste des CONSOMMABLES.....	22
10	INCIDENTS DE FONCTIONNEMENT	23
11	DECHARGEMENT MANUEL DES AUGES	23
12	LISTE DES COMPOSANTS SUR LES FIGURES.....	24

1 AVANT LA MISE EN SERVICE

Merci d'avoir choisi une solution JAC. Veuillez impérativement lire ce mode d'emploi avant d'installer et de mettre en service cette machine. Vous pourrez ainsi vous protéger et éviter de détériorer votre machine.

Cette notice fait référence à différentes figures afin de faciliter la compréhension des instructions. Ces figures se trouvent en fin de notice. Veuillez vous y référer dès que vous rencontrez les symboles suivants (fig.x, n°y).

Pour que votre machine vous donne entière satisfaction au cours des prochaines années, nous vous invitons à prendre connaissance des conseils suivants :

- Faites-vous aider par votre agent agréé pour l'installation, la mise en service et le suivi.
- Afin de pouvoir bénéficier de la garantie de 5 ans (voir conditions reprises ci-après), faites compléter le carnet d'entretien par votre distributeur lors de l'installation de votre machine. Ce carnet d'entretien se trouve à l'arrière de votre machine.

2 GARANTIE



JAC offre une garantie de 5 ans sur tous ses produits.

Cette garantie est valable sur toutes les pièces de votre machine, pièces électroniques incluses, hors consommables. La garantie prend effet à la date d'installation du matériel.

Sous les conditions restrictives suivantes :

- matériel acquis auprès d'un revendeur agréé ;
- installation effectuée par un agent agréé ;
- utilisation du matériel conformément aux indications du mode d'emploi et dans le but pour lequel il a été fabriqué ;
- matériel quotidiennement entretenu conformément aux indications du mode d'emploi ;
- entretiens suivis par l'agent agréé conformément aux spécifications d'entretien avec, au minimum, un entretien par an (entretien à charge de l'utilisateur) ;
- utilisation exclusive des pièces d'origine JAC.



S'il n'y a pas de suivi d'entretien par un agent agréé et/ou que le carnet d'entretien n'est pas correctement complété, la garantie se limite à un an.

Cette garantie ne couvre pas :

- le remplacement des consommables (§9) ;
- les pièces non reconnues défectueuses par nos services ;
- les problèmes résultant d'une utilisation anormale du matériel ;
- les problèmes résultant d'une installation non effectuée par un agent agréé ;
- les pièces ou les problèmes résultant d'un dégât de transport ou d'une manutention inappropriée.

Une réparation et/ou un remplacement de pièces défectueuses effectué(es) durant la période de garantie n'a (n'ont) pas pour effet de prolonger ladite garantie.

3 AVERTISSEMENTS

Il est très important que cette notice d'utilisation soit conservée avec l'appareil pour toute future consultation. Si cet appareil devait être vendu ou transféré à une autre personne, assurez-vous que la notice d'utilisation soit remise de façon à ce que l'utilisateur puisse être informé de son fonctionnement et des avertissements s'y rapportant.



Ces avertissements sont donnés pour votre sécurité et pour celle d'autrui. Nous vous prions donc de bien vouloir les lire attentivement avant d'installer et d'utiliser l'appareil.

Cette machine a été conçue pour être utilisée par des adultes autorisés. Veillez donc à ce que les enfants n'y touchent pas ou qu'ils ne l'utilisent pas comme un jouet.

Cette machine est exclusivement réservée à un usage professionnel.

Il est dangereux de modifier ou d'essayer de modifier les caractéristiques de cette machine.

Après l'installation de cette machine, assurez-vous qu'elle ne repose pas sur le câble d'alimentation.

Suivez les instructions données pour l'utilisation.

Cette machine doit être stockée et utilisée à l'intérieur, dans un local à l'abri de l'humidité et de la chaleur.

Cette machine doit être suffisamment éclairée pour effectuer le travail.

Cette machine a un niveau sonore inférieur à 75 dB(A), suivant la norme EN ISO 3744.

Cette machine doit être utilisée par une seule personne à la fois (sauf prescription contraire).



Toujours débrancher la prise de courant avant de procéder au nettoyage intérieur/extérieur de l'appareil et aux opérations de maintenance.

Cet appareil est lourd. Prenez toutes les précautions de sécurité lors de sa manutention.

4 CARACTERISTIQUES TECHNIQUES

4.1 Caractéristiques techniques

	MB S	MB L	MB XL
Hauteur (mm)	1206	1206	1206
Largeur (mm)	1310	1610	1610
Profondeur (mm)	1120	1120	1320
Longueur des auges (mm)	1060	1360	1360
Largeur des auges (mm)	140 (160)		
Nombre total d'auges	33 (26)	33 (26)	40 (32)
Colisage (mm)	205 x 140 x 130		
Poids net (kg)	250	260	350
Poids NET + emballage (kg)	280	290	380
Puissance moteur (kW)	0,25		
Type moteur	Triphasé		
Matière des auges	Feutre synthétique		

Lampe germicide avec protection et extracteur d'air	option
Tablette de boulage rabattable	option
Commande au pied	option
Auges monofilament	option
Auges hydrofuges (Arconet)	option

		PÂTONS DE 350 g		PÂTONS DE 550 g		PÂTONS DE 750 g		PÂTONS DE 950 g	
		Nombre par auge	Capacité maximum	Nombre par auge	Capacité maximum	Nombre par auge	Capacité maximum	Nombre par auge	Capacité maximum
AUGES STANDARD	MB S	7	231	6	198				
	MB L	9	297	8	264				
	MB XL	9	360	8	320				
AUGES LARGES	MB S	7	182	6	156	5	130	4	104
	MB L	9	234	8	208	7	182	6	156
	MB XL	9	288	8	256	7	224	6	192

4.2 Détail des matériaux en contact direct avec la pâte

Tablette boulage : Laine

Auges : Feutre synthétique / Synthétique / Arconet

5 **INSTALLATION ET MISE EN SERVICE**

5.1 **Déconditionnement de la machine**

Les machines sont livrées, sorties de nos ateliers, sur palettes, sanglées et protégées par du carton. Avant toute chose, l'emballage doit être observé et tout dommage dû au transport doit être déclaré directement au livreur.

- A. Enlever les sangles en faisant particulièrement attention à la détente de ces dernières lors de leur sectionnement.
- B. Si la machine est déjà montée, la descendre de la palette avec précaution.
- C. Si la machine est en kit, se reporter à la notice de montage.

Après déballage de la machine, vérifier qu'elle n'a pas subi de dommages pendant le transport. Nous signaler toute anomalie.

5.2 **Emplacement**

Pour obtenir d'excellentes performances et une fiabilité à long terme, choisir un emplacement :

Bien ventilé, à l'abri du rayonnement solaire direct et éloigné des sources de chaleur, avec une surface plane et robuste exempte de vibrations.

5.3 **Raccordement électrique**

IMPORTANT : Mise à la terre obligatoire.

Il est conseillé de protéger l'installation avec un fusible et un disjoncteur différentiel.

Votre installation électrique alimentant la machine doit être protégée comme indiqué ci-dessous :

- Amérique du Nord : Protection 15A ;
- Reste du monde : Protection 16A.

Pour les machines équipées d'un variateur, celles-ci doivent être impérativement raccordées à une boîte de dérivation sur une ligne équipée d'un différentiel de 300mA.

Note : Tout problème résultant d'un autre type de raccordement ne sera pas pris en compte par la garantie.

Avant de connecter la machine au réseau et afin d'éviter une mise hors service du moteur à la mise sous tension, il est important de vérifier la concordance du réseau d'alimentation avec les caractéristiques de la machine (voir plaque signalétique de celle-ci).

Cet appareil est conforme aux Directives Machines 2006/42, 2006/95, 2004/108 et porte le marquage CE attestant cette conformité.

Veillez prendre connaissance des pictogrammes de sécurité figurant sur la machine :



Pictogramme signalant un risque d'électrocution. Veillez débrancher la machine avant toute intervention sur celle-ci. Vous retrouverez ce pictogramme sur le panneau de commande qui fait office de boîtier électrique (fig.8, n°13).

Vous trouverez le schéma électrique de la machine à l'intérieur du coffret électrique (fig.8, n°12).

5.4 Mise en service

Avant la mise en service, s'assurer de l'absence de tout objet parasite sur les parties en mouvement de la machine.

S'assurer tout d'abord (après vérification des concordances électriques) que les moteurs tournent dans le bon sens ; il faut pour cela que les auges avancent dans le bon sens (sinon, inverser 2 phases au niveau du moteur).

Pour l'utilisation de la machine, se reporter au chapitre « Utilisation ».

5.5 Danger

En cas de danger pour l'utilisateur ou pour la machine, utiliser l'interrupteur général pour couper l'alimentation de la machine.

Ne pas s'approcher des balancelles quand celles-ci sont en mouvement.

Retirer la fiche de la prise électrique avant toute opération de maintenance et d'entretien.

Toute opération de maintenance ou de remplacement de pièce doit être effectuée par un agent agréé.

6 ORGANE DE COMMANDE ET DE SECURITE

6.1 Organe de commande

Votre machine est équipée de série d'un pupitre de commande mécanique (fig.3).

6.2 Zone de travail

La zone de réglage et de travail se situe au niveau de l'accès aux balancelles (fig.2, n°5).

7 UTILISATION

- A. Tourner d'1/4 de tour vers la droite le bouton coup de poing (arrêt d'urgence), s'il n'est pas actionné (fig.3, n°9).
- B. Avec un appui sur un des boutons poussoirs, les balancelles avancent une à une et s'arrêtent automatiquement à la suivante (fig.3, n°6, 11).
- C. Avec un appui prolongé, les balancelles avancent tant que l'appui est maintenu et s'arrêteront automatiquement sur la prochaine balancelle dès que le bouton sera relâché.
- D. Charger votre MB (fig.4).
- E. Pour l'utilisation de l'option UV, positionner le commutateur sur position UV (fig.3, n°10). S'assurer que la tôle de protection (fig.1, n°1) soit tirée jusqu'à la position arrêt.

Pour déployer la tablette (fig1, n°2) (fig.6) :

- A. soulever la tablette ;
B. déplier les deux équerres assurant le maintien de la tablette.



Pour des raisons d'hygiène alimentaire, la pâte ou la farine se trouvant sur le dessus de la machine ou en dehors ne peut en aucun cas être réutilisée ou remise dans la chaîne alimentaire.

8 ENTRETIEN

8.1 Journalier par un utilisateur formé

Démarrer le cycle UV (si option UV) (7.E).

8.2 Hebdomadaire par un utilisateur formé

Nettoyer les auges avec une brosse sèche et gratter éventuellement avec une raclette en plastique les résidus de pâte pouvant être collés sur les feutres.

Nettoyer l'extérieur de la machine au minimum une fois par semaine, laver l'ensemble de la carrosserie à l'aide d'une éponge non abrasive et d'eau savonneuse tiède.

Rincer à l'aide d'une éponge non abrasive et sécher soigneusement avec un chiffon doux non pelucheux.

Ne jamais laver la machine à grande eau.

8.3 Mensuel par un utilisateur formé

Passer l'aspirateur à l'intérieur pour éliminer les amas de pâte ou de farine sur les chemins de chaîne et sur le bâti.

Souffler les chaînes pour supprimer toute trace de farine.

8.4 Annuel par un agent agréé

Vérifier et ajuster la tension de la chaîne.

Lubrifier les articulations des chaînes.

Lubrifier la chaîne moteur.

ATTENTION : NE PAS UTILISER D'HUILE EPAISSE NI DE GRAISSE NON ALIMENTAIRE.

9 CONSOMMABLES

Lors d'une commande d'une pièce de rechange, vérifier avec votre agent agréé de quelle pièce il s'agit sur la base du catalogue de pièces de rechange émis par le fabricant.

Toujours préciser le numéro de machine comme indiqué sur la plaque signalétique.

Votre agent effectue les commandes auprès de JAC.

9.1 Liste des CONSOMMABLES

REFERENCE	NOUVEAU LIBELLE	MODELE
LAMPE GERMICIDE	LAMPE GERMICIDE	TOUTES
F201192	AUGE FEUTRE	MB L/XL
F201112500	AUGE MONOFILAMENT BLANCHE	MB L/XL
F201112501	AUGE MONOFILAMENT BLEU	MB L/XL
F20119202	AUGE ARCONET-T	MB L/XL
F2011122	AUGE LARGE FEUTRE	MB L/XL
F201112600	AUGE LARGE MONOFILAMENT BLANCHE	MB L/XL
F201112601	AUGE LARGE MONOFILAMENT BLEU	MB L/XL
F201112202	AUGE LARGE ARCONET-T	MB L/XL
F2011117	AUGE FEUTRE	MB S
F201112300	AUGE MONOFILAMENT BLANCHE	MB S
F201112301	AUGE MONOFILAMENT BLEU	MB S
F201111702	AUGE ARCONET-T	MB S
F2011120	AUGE LARGE FEUTRE	MB S
F201112401	AUGE LARGE MONOFILAMENT BLEU	MB S
F201112002	AUGE LARGE ARCONET-T	MB S
F2011042	CHAINE ENTRAINEMENT MOTEUR	MB S/L/XL

10 INCIDENTS DE FONCTIONNEMENT

ATTENTION : La machine doit obligatoirement être mise hors tension pour toute intervention.

Problème	Vérification
La machine ne se met pas en route	Vérifier l'alimentation électrique Vérifier le relais thermique Vérifier si le bouton d'arrêt d'urgence n'est pas enclenché Vérifier si le bouton marche est actionné
Le moteur ronronne mais ne démarre pas	Vérifier l'alimentation, il manque peut-être une phase
La machine ne s'arrête plus ou s'arrête aussitôt n'importe où	Contrôler que rien n'empêche le fonctionnement de la fin de course située dans le panneau haut latéral droit
La chaîne saute et craque	Vérifier la tension de la chaîne Contrôler le bon graissage Vérifier l'état des pignons Les 4 écrous M14 situés en dessous de la machine doivent être retirés
Les auges se retournent	Vérifier que les auges ne sont pas déformées Vérifier si des velcros ne sont pas décrochés



Si le problème persiste, veuillez contacter votre technicien.

11 DECHARGEMENT MANUEL DES AUGES

(fig.7)

ATTENTION : Enclencher l'arrêt général et débrancher le cordon d'alimentation avant toute manipulation.

En cas de panne de courant ou autres problèmes qui empêcheraient le moteur de tourner, le repose-pâtons peut être manœuvré manuellement :

- Retirer le capot moteur en dévissant les 4 vis qui le maintiennent.
- Enlever le cache plastique protégeant le palier.
- Déposer la vis M8 en bout d'arbre réducteur.
- Retourner le moyeu de débrayage.

- E. Reposer la vis M8 en bout d'arbre sans la bloquer pour maintenir l'ensemble.
- F. Faire tourner la machine avec la clé à cliquets fournie en la plaçant sur la partie hexagonale creuse de l'arbre d'entraînement.
- G. Après utilisation, accoupler de nouveau l'ensemble embrayeur dans l'ordre inverse des points C, D et E.
- H. Remonter le capot moteur.

12 LISTE DES COMPOSANTS SUR LES FIGURES

Figure	Bulle	Nom
1	1	Tôle de fermeture UV
	2	Tablette de boulage
	3	Poste de commande
	4	Cache plastique
2	5	Zone de travail
3	6	Bouton poussoir de déplacement des auges
	7	Commande au pied (option)
	8	Prises électriques
	9	Arrêt d'urgence
	10	Sélecteur UV
	11	Bouton poussoir de déplacement des auges
8	12	Pictogramme signalant un risque d'électrocution
	13	Coffret électrique

1	VOR DER INBETRIEBNAHME	26
2	GARANTIE.....	26
3	WARNHINWEISE	27
4	TECHNISCHE DATEN.....	28
4.1	Technische Daten	28
4.2	Materialien der Teile, die in Kontakt mit dem Schnittgut kommen	28
5	INSTALLATION UND INBETRIEBNAHME.....	29
5.1	Auspacken der Maschine:	29
5.2	Aufstellung:	29
5.3	Anschluss an die Stromversorgung:	29
5.4	Inbetriebnahme:	30
5.5	Gefahr:	30
6	BEDIENELEMENT UND SICHERHEITSVORRICHTUNG.....	30
6.1	Bedienelement:	30
6.2	Arbeitsbereich:	30
7	BEDIENUNG.....	31
8	INSTANDHALTUNG.....	31
8.1	Taglich durch einen eingewiesenen Bediener:.....	31
8.2	Wochentlich durch einen eingewiesenen Bediener:	31
8.3	Monatlich durch einen eingewiesenen Bediener:	31
8.4	Jahrlich durch einen zugelassenen Vertreter:	32
9	ERSATZTEILE.....	32
9.1	ERSATZTEILLISTE	32
10	STORUNGEN UND FEHLER.....	33
11	MANUELLE ENTLADUNG DER TROGE.....	33
12	LISTE DER ABGEBILDETEN TEILE UND FUNKTIONEN	34

1 VOR DER INBETRIEBNAHME

Vielen Dank, dass Sie sich für ein Gerät von JAC entschieden haben. Bitte lesen Sie diese Bedienungsanleitung vor der Installation und Inbetriebnahme dieser Maschine aufmerksam durch. Dies dient zu Ihrer Sicherheit und zum Schutz der Maschine vor Schäden.

Diese Bedienungsanleitung enthält Verweise auf verschiedene Abbildungen, die das Verständnis der Anleitungen erleichtern. Die Abbildungen befinden sich am Schluss der Bedienungsanleitung. Bitte schlagen Sie die jeweilige Abbildung anhand des angegebenen Verweises (Fig. X, Nr. Y) nach.

Damit Sie sich viele Jahre an dieser Maschine erfreuen können, möchten wir Sie bitten, die folgenden Hinweise zu berücksichtigen:

- Lassen Sie sich bei der Installation, der Inbetriebnahme und der weiteren Nutzung von Ihrem zugelassenen Vertreter unterstützen.
- Um die Garantie von fünf Jahren (siehe nachfolgende Garantiebestimmungen) in Anspruch nehmen zu können, lassen Sie bitte von Ihrem Vertriebshändler bei der Installation Ihrer Maschine das Wartungsheft ausfüllen. Das Wartungsheft befindet sich an der Rückseite Ihrer Maschine.

2 GARANTIE



JAC bietet auf alle seine Produkte eine Garantie von fünf Jahren.

Diese Garantie erstreckt sich auf alle Teile Ihrer Maschine, auch auf die elektronischen Bauteile, außer Verschleißteile. Die Garantiefrist beginnt zum Zeitpunkt der Installation der Anlage.

Es gelten die folgenden Beschränkungen:

- Das Produkt wurde bei einem zugelassenen Vertragshändler erworben.
- Die Installation wurde von einem zugelassenen Vertreter vorgenommen.
- Das Produkt wurde im Rahmen seines bestimmungsgemäßen Gebrauchs und entsprechend der Bedienungsanleitung verwendet.
- Das Produkt wurde täglich entsprechend den Vorgaben der Bedienungsanleitung instandgehalten.
- Die Wartung wird durch einen zugelassenen Vertreter entsprechend den Wartungsvorgaben durchgeführt und findet mindestens einmal jährlich statt (auf Kosten des Anwenders).
- Es werden ausschließlich Originalersatzteile von JAC verwendet.



Sofern keine Wartung durch einen zugelassenen Vertreter erfolgt bzw. das Wartungsheft nicht ordnungsgemäß ausgefüllt ist, ist die Garantie auf ein Jahr begrenzt.

Diese Garantie deckt nicht:

- den Ersatz von Verschleißteilen (siehe Abschnitt 9);
- Teile, die unser Kundendienst nicht als defekt anerkennt;

- Probleme, die sich aus einer ungewöhnlichen Nutzung des Produktes ergeben;
- Probleme, die darauf zurückzuführen sind, dass die Installation nicht durch einen zugelassenen Vertreter durchgeführt wurde;
- Beschädigungen oder Probleme, die auf einen Transportschaden oder auf die unsachgemäße Handhabung des Produktes zurückzuführen sind.

Die Durchführung einer Reparatur und/oder der Ersatz defekter Teile während der Garantiefrist führen nicht zur Verlängerung der Garantiefrist.

3 WARNHINWEISE

Bitte bewahren Sie diese Bedienungsanleitung unbedingt mit Ihrem Gerät zum späteren Nachlesen auf. Bei Verkauf oder Weitergabe Ihres Gerätes übergeben Sie bitte diese Bedienungsanleitung an den neuen Besitzer bzw. Benutzer, damit dieser über die Funktionsweise des Gerätes und die Warnhinweise informiert ist und diese befolgen kann.



Diese Warnhinweise dienen zu Ihrer Sicherheit und der Sicherheit anderer. Bitte lesen Sie die Warnhinweise vor der Installation und Verwendung Ihres Gerätes aufmerksam durch.

Diese Maschine ist für die Verwendung durch befugte erwachsene Personen bestimmt. Stellen Sie sicher, dass die Maschine nicht von Kindern berührt oder als Spielzeug benutzt wird.

Diese Maschine ist ausschließlich für den professionellen Einsatz vorgesehen.

Eine Modifizierung bzw. versuchte Modifizierung der Eigenschaften und Merkmale dieser Maschine ist gefährlich.

Stellen Sie nach der Installation dieser Maschine sicher, dass diese nicht auf dem Netzkabel steht.

Befolgen Sie stets die Anleitungen zur Bedienung und Verwendung.

Die Maschine ist in einem Innenraum und gegen Feuchtigkeit und Hitze geschützt aufzustellen.

Die Maschine muss zur Durchführung der Arbeiten ausreichend ausgeleuchtet sein.

Der Geräuschpegel der Maschine liegt unter 75 dB(A) und entspricht damit der EN ISO 3744.

Die Maschine darf nicht von mehreren Personen gleichzeitig benutzt werden (es sei denn, die Anleitung gibt etwas Anderes vor).



Vor Reinigungsarbeiten innen und außen am Gerät und vor Wartungsarbeiten immer den Netzstecker ziehen.

Dieses Gerät ist sehr schwer. Beim Transport und Bewegen des Gerätes sind angemessene Vorsichtsmaßnahmen zu ergreifen.

4 TECHNISCHE DATEN

4.1 Technische Daten

	MB S	MB L	MB XL
Höhe (mm)	1206	1206	1206
Breite (mm)	1310	1610	1610
Tiefe (mm)	1120	1120	1320
Länge der Tröge (in cm)	1060	1360	1360
Breite der Tröge (in cm)	140 (160)		
Gesamtanzahl der Tröge	33 (26)	33 (26)	40 (32)
Verpackungsmaße (mm)	205x140x130		
Nettogewicht (kg)	250	260	350
Nettogewicht + Verpackung (kg)	280	290	380
Motorleistung (kW)	00:25		
Motortyp	dreiphasig		
Trogmaterial	synthetischer Filz		

Keimtötende UV-Lampe mit Schutzschirm und Luftabsaugung	Option
Abklappbarer Rundwirtisch	Option
Bedienung über Fußpedal	Option
Monofil-Tröge	Option
Feuchtigkeitsabweisende Tröge (Arconet)	Option

		TEIGLINGE VON 350 G		TEIGLINGE VON 550 G		TEIGLINGE VON 750 G		TEIGLINGE VON 950 G	
		Anzahl pro Trog	Kapazität max.	Anzahl pro Trog	Kapazität max.	Anzahl pro Trog	Kapazität max.	Anzahl pro Trog	Kapazität max.
TRÖGE STANDARD	MB S	7	231	6	198				
	MB L	9	297	8	264				
	MB XL	9	360	8	320				
Breite Tröge	MB S	7	182	6	156	5	130	4	104
	MB L	9	234	8	208	7	182	6	156
	MB XL	9	288	8	256	7	224	6	192

4.2 Materialien der Teile, die in Kontakt mit dem Schnittgut kommen

Rundwirtisch: Wolle

Tröge: synthetischer Filz / Synthetisch / Arconet



5.1 Auspacken der Maschine:

Unsere Maschinen werden zur Lieferung ab Werk auf Paletten verpackt, mit Umreifungsbändern gesichert und mit einer Kartonverpackung geschützt. Prüfen Sie die Verpackung bei Erhalt auf Beschädigungen und teilen Sie dem Spediteur etwaige Transportschäden direkt mit.

- A. Entfernen Sie die Umreifungsbänder und bedenken Sie dabei, dass diese beim Durchschneiden aufspringen.
- B. Falls die Maschine schon montiert ist, diese vorsichtig von der Palette abheben.
- C. Sofern die Maschine als Bausatz geliefert wird, die Montageanweisungen befolgen.

Die Maschine nach dem Auspacken auf Transportschäden überprüfen. Melden Sie uns bitte alle Fehler und Schäden.

5.2 Aufstellung:

Um eine hohe Leistung, eine lange Lebensdauer und einen zuverlässigen Betrieb sicherzustellen, sollte der Aufstellort wie folgt beschaffen sein:

Gut belüftet, vor direkter Sonneneinstrahlung geschützt, in ausreichender Entfernung zu Wärmequellen, mit ebenem, tragfähigen und schwingungsfreien Boden.

5.3 Anschluss an die Stromversorgung:

WICHTIG: Die Erdung der Maschine ist vorgeschrieben.

Wir empfehlen den Schutz der Anlage durch eine Sicherung und einen FI-Schutzschalter.

Ihr Stromnetz zur Versorgung der Maschine muss folgendermaßen geschützt werden:

- Nordamerika: Schutz 15 A;
- Rest der Welt: Schutz 16 A.

Maschinen mit Stromrichter müssen zwingend über einen FI-Schutzschalter für 300 mA angeschlossen werden.

Hinweis: Probleme und Störungen, die sich durch abweichende Ausführung des Anschlusses ergeben, sind nicht durch die Garantie gedeckt.

Prüfen Sie vor dem Anschließen der Maschine an das Stromnetz unbedingt, ob die Stromversorgung für die Maschine geeignet ist (siehe Angaben auf dem Typenschild), um einen Motorschaden beim Einschalten zu vermeiden.

Dieses Gerät entspricht den Maschinenrichtlinien 2006/42, 2006/95, 2004/108 und ist daher mit dem CE-Zeichen gekennzeichnet.

Bitte beachten Sie die an der Maschine angebrachten Warnsymbole:



Warnsymbol zur Anzeige der Gefahr eines tödlichen Stromschlags. Die Maschine vor jedem Eingriff vom Stromnetz nehmen. Dies befindet sich auf dem Bedienelement, das auch als Schaltschrank verwendet wird (Fig. 8, Nr. 13).

Der Schaltplan der Maschine befindet sich im Schaltschrank. (Fig. 8, Nr. 12)

5.4 Inbetriebnahme:

Vor der Inbetriebnahme sicherstellen, dass sich keine Fremdkörper auf den beweglichen Teilen der Maschine befinden.

Zunächst (nach Überprüfung der elektrischen Übereinstimmung) sicherstellen, dass die Motoren in die richtige Richtung drehen. Dazu müssen die Tröge in die richtige Richtung bewegt werden (andernfalls zwei Phasen des Motors umkehren).

Weitere Informationen zur Verwendung der Maschine erhalten Sie im Abschnitt „Bedienung“.

5.5 Gefahr:

Bei einer Gefahr für den Anwender oder die Maschine ist die Maschine über den Hauptschalter auszuschalten.

Nicht in die Nähe der Gehänge kommen, wenn diese bewegt werden.

Vor Wartungs- oder Instandsetzungsmaßnahmen den Netzstecker ziehen.

Wartungsmaßnahmen und der Austausch von Ersatzteilen dürfen nur durch einen zugelassenen Vertreter durchgeführt werden.

6 BEDIENELEMENT UND SICHERHEITSVORRICHTUNG

6.1 Bedienelement:

Ihre Maschine ist serienmäßig mit einem mechanischen Bedienpult ausgestattet (Fig. 3)

6.2 Arbeitsbereich:

Der Einstellungs- und Arbeitsbereich befindet sich auf Höhe des Eingangs für die Gehänge (Fig. 2, Nr. 5).

7 **BEDIENUNG**

A. Den Pilztaster (Not-Aus), sofern er nicht betätigt ist, um eine 1/4-Umdrehung nach rechts drehen. (Fig. 3, Nr. 9).

B. Durch Drücken auf die Drucktasten werden die Gehänge nacheinander nach vorne bewegt und halten automatisch beim nächsten an. (Fig. 3, Nr. 6, 11)

C. Wenn die Tasten gedrückt gehalten werden, werden die Gehänge so lange nach vorne bewegt, wie die Tasten gedrückt gehalten werden und halten bei Loslassen der Taste automatisch beim nächsten Gehänge.

D. Die MB kann jetzt beladen werden. (Fig. 4)

E. Für die Verwendung der UV-Option den Schalter auf die Position UV stellen (Fig. 3, Nr. 10). Sicherstellen, dass das Schutzblech (Fig. 1, Nr. 1) bis zur Arretierung herausgezogen ist.

Ausklappen des Tisches (Fig. 1, Nr. 2): (Fig. 6)

A. Den Tisch anheben.

B. Die beiden Winkel, die den Tisch halten, einklappen.



Aus Gründen der Nahrungsmittelhygiene darf kein Teig oder Mehl, welche sich oben auf oder außerhalb der Maschine befinden, wiederverwendet oder wieder in die Nahrungsmittelkette gebracht werden.

8 **INSTANDHALTUNG**

8.1 **Täglich durch einen eingewiesenen Bediener:**

Den UV-Zyklus starten (bei der UV-Option) (7.E)

8.2 **Wöchentlich durch einen eingewiesenen Bediener:**

Die Tröge mit einer trockenen Bürste reinigen und etwaige Teigreste mit einem Kunststoffschaber vom Filz abkratzen.

Den Außenbereich der Maschine mindestens einmal wöchentlich reinigen. Dazu das Gehäuse mit einem weichen Schwamm und lauwarmem Seifenwasser abspülen.

Mit einem weichen Schwamm reinigen und mit einem weichen, nichtfasernden Tuch abtrocknen.

Die Maschine niemals mit viel Wasser reinigen.

8.3 **Monatlich durch einen eingewiesenen Bediener:**

Den Innenbereich mit einem Staubsauger absaugen, um Teigrückstände oder Mehreste von der Kette und dem Unterbau zu entfernen.

Die Ketten abblasen, um sämtliches Mehl zu entfernen.

8.4 Jährlich durch einen zugelassenen Vertreter:

Die Kettenspannung überprüfen und anpassen.

Die Kettengelenke schmieren.

Die Motorkette schmieren.

VORSICHT: KEIN DICKFLÜSSIGES ÖL UND KEIN FETT VERWENDEN; DAS NICHT FÜR

LEBENSMITTEL ZUGELASSEN IST.

9 ERSATZTEILE

Um Ersatzteile für Ihre Maschine zu bestellen, lassen Sie von Ihrem Vertreter anhand des Ersatzteilkatalogs des Herstellers prüfen, um welche Teile es sich genau handelt. Dazu immer die Maschinenummer übermitteln, die auf dem Typenschild steht. Ihr Vertreter bestellt das Ersatzteil dann bei JAC.

9.1 ERSATZTEILLISTE

TEILENUMMER	NEUES TEXTBLATT	MODELL
ENTKEIMUNGSLAMPE	ENTKEIMUNGSLAMPE	ALLE
F201192	FILZ-TROG	MB L/XL
F201112500	WEISSER MONOFIL-TROG	MB L/XL
F201112501	BLAUER MONOFIL-TROG	MB L/XL,
F20119202	TROG ARCONET-T	MB L/XL
F2011122	BREITER FILZ-TROG	MB L/XL
F201112600	BREITER WEISSER MONOFIL-TROG	MB L/XL
F201112601	BREITER BLAUER MONOFIL-TROG	MB L/XL
F201112202	BREITER TROG ARCONET-T	MB L/XL
F2011117	FILZ-TROG	MB S
F201112300	WEISSER MONOFIL-TROG	MB S
F201112301	BLAUER MONOFIL-TROG	MB S
F201111702	TROG ARCONET-T	MB S
F2011120	BREITER FILZ-TROG	MB S
F201112401	BREITER BLAUER MONOFIL-TROG	MB S
F201112002	BREITER TROG ARCONET-T	MB S
F2011042	ANTRIEBSKETTE MOTOR	MB S/L/XL

10 STÖRUNGEN UND FEHLER

VORSICHT: Vor allen Eingriffen an der Maschine ist die Maschine zwingend von der Stromversorgung zu trennen.

Problem	Fehlersuche
Die Maschine lässt sich nicht einschalten	Die Stromversorgung überprüfen Das Thermorelais überprüfen Überprüfen, ob der Not-Ausschalter eingeschaltet ist Überprüfen, ob der Hauptschalter eingeschaltet ist
Der Motor macht Geräusche, aber fährt nicht an	Die Versorgung überprüfen - möglicherweise fehlt eine Phase
Die Maschine hält nicht mehr an oder hält an einer beliebigen Stelle	Überprüfen, ob der Endanschlag frei ist - dieser befindet sich an der Platte oben rechts
Die Kette springt und knackt	Die Kettenspannung überprüfen Die Kettenschmierungkontrollieren Den Zustand der Ritzel überprüfen Die vier M14-Schrauben unterhalb der Maschine müssen entfernt werden
Die Tröge kippen um	Überprüfen, ob die Tröge verformt sind Den Halt der Klettverschlüsse überprüfen



Bei Anhalten des Problems wenden Sie sich bitte an Ihren Servicetechniker.

11 MANUELLE ENTLADUNG DER TRÖGE

(Fig. 7)

VORSICHT: Vor jeder Maßnahme den Hauptschalter ausschalten und den Netzstecker ziehen.

Bei einem Stromausfall oder sonstigen Problemen, die verhindern, dass der Motor läuft, kann der Gärschrank auch manuell bedient werden:

- A. Die Motorabdeckung durch Lösen der vier Halteschrauben ausbauen.
- B. Die Kunststoffabdeckung vom Lager abnehmen.
- C. Die M8-Schraube am Ende der Getriebewelle ausbauen.
- D. Die Kupplungsnabe umdrehen.

- E. Die M8-Schraube am Ende der Welle wieder anbringen, ohne sie zu blockieren, um das Ganze zu halten.
- F. Die Maschine mit der mitgelieferten Ratsche aktivieren, indem diese am hohlen Sechskantteil der Antriebswelle angesetzt wird.
- G. Nach dieser Maßnahme die Kupplung wieder schließen, indem die Punkte C, D und E in umgekehrter Reihenfolge abgearbeitet werden.
- H. Die Motorabdeckung wieder aufsetzen.

12 LISTE DER ABGEBILDETEN TEILE UND FUNKTIONEN

Abbildung	Nummer	Bezeichnung
1	1	Schließblech UV
	2	Rundwirschtisch
	3	Bedienelement
	4	Kunststoffabdeckung
2	5	Arbeitsbereich
3	6	Drucktaste zur Bewegung der Tröge
	7	Bedienung über Fußpedal (Option)
	8	Stromanschlüsse
	9	Not-Aus
	10	UV-Wahlschalter
	11	Drucktaste zur Bewegung der Tröge
8	12	Warnsymbol zur Anzeige der Gefahr eines tödlichen Stromschlags.
	13	Schaltkasten

1	VÓÓR DE INBEDRIJFSTELLING	36
2	GARANTIE	36
3	WAARSCHUWINGEN	37
4	TECHNISCHE EIGENSCHAPPEN	38
4.1	Technische eigenschappen.....	38
4.2	Materiaal dat rechtstreeks in contact komt met het deeg	38
5	INSTALLATIE EN INBEDRIJFSTELLING	39
5.1	De machine uit de verpakking halen:	39
5.2	Plaatsing:.....	39
5.3	Elektrische aansluiting:	39
5.4	Inbedrijfstelling:.....	40
5.5	Gevaar:	40
6	BEDIENINGS- EN VEILIGHEIDSPANEEL	40
6.1	Bedieningspaneel:.....	40
6.2	Werkzone:.....	40
7	GEBRUIK	41
8	ONDERHOUD	41
8.1	Dagelijks door een opgeleide gebruiker.....	41
8.2	Wekelijks door een opgeleide gebruiker.....	41
8.3	Maandelijks door een opgeleide gebruiker.....	41
8.4	Jaarlijks door een erkende verdeler	42
9	VERBRUIKSGOEDEREN	42
9.1	Lijst met VERBRUIKSGOEDEREN	42
10	STORINGEN	43
11	HANDMATIG LOSSEN VAN DE GOTEN	43
12	LIJST MET ONDERDELEN OP DE AFBEELDINGEN	44

1 VÓÓR DE INBEDRIJFSTELLING

Bedankt dat u hebt gekozen voor een JAC-oplossing. Neem deze gebruikershandleiding grondig door voordat u deze machine installeert en in werking stelt. Zo kunt u uzelf beschermen en schade aan uw machine vermijden.

Deze handleiding verwijst naar diverse afbeeldingen zodat u de instructies beter kunt begrijpen. Deze afbeeldingen bevinden zich op het einde van de handleiding. Raadpleeg ze wanneer u de volgende symbolen tegenkomt (fig.X, n°Y).

Om nog jarenlang te kunnen genieten van uw machine , raden we u aan om de volgende adviezen na te leven:

- Doe een beroep op uw erkende verdeler voor de installatie, inbedrijfstelling en opvolging.
- Om te kunnen genieten van de garantie van vijf jaar (zie verder voor de voorwaarden), moet u bij de installatie van uw machine het onderhoudsboekje laten invullen door uw verdeler. Dit onderhoudsboekje bevindt zich aan de achterkant van uw machine.

2 GARANTIE



JAC biedt een garantie van vijf jaar op al zijn producten.

Deze garantie is geldig voor alle onderdelen van uw machine, waaronder de elektronische onderdelen, maar uitgezonderd de verbruiksgoederen. De garantie treedt in werking op de installatiedatum van het materiaal.

Onder de volgende beperkende voorwaarden:

- Het materiaal moet bij een erkende verdeler zijn aangekocht.
- De installatie moet door een erkende verdeler zijn uitgevoerd.
- Het materiaal moet worden gebruikt in overeenstemming met de aanwijzingen in de gebruikershandleiding en voor het doel waarvoor het werd geproduceerd.
- Het materiaal moet dagelijks worden onderhouden in overeenstemming met de aanwijzingen in de gebruikershandleiding.
- Ten minste één keer per jaar moet onderhoud worden uitgevoerd door de erkende verdeler en dit in overeenstemming met de onderhoudsspecificaties (onderhoud ten laste van de gebruiker).
- Alleen originele JAC-onderdelen mogen worden gebruikt.



Als er geen onderhoud wordt uitgevoerd door een erkende verdeler en/of het onderhoudsboekje niet correct wordt ingevuld, is de garantie beperkt tot één jaar.

Het volgende valt niet onder de garantie:

- De vervanging van verbruiksgoederen (§9).
- Defecte stukken die door onze diensten niet worden erkend.
- Problemen ten gevolge van een abnormaal gebruik van het materiaal.
- Problemen doordat de installatie niet door een erkende verdeler is uitgevoerd.
- De onderdelen of problemen die het gevolg zijn van transportschade of een ongepaste behandeling.

Een reparatie en/of een vervanging van defecte onderdelen tijdens de garantieperiode verlengt deze garantie niet.

3 WAARSCHUWINGEN

Het is heel belangrijk dat deze gebruikershandleiding bij het apparaat wordt bewaard zodat ze later kan worden geraadpleegd. Als dit apparaat wordt verkocht of aan een andere persoon wordt overgedragen, zorg er dan voor dat de gebruikershandleiding wordt overhandigd zodat de gebruiker op de hoogte is van de werking ervan en van de daarin vermelde waarschuwingen.



Deze waarschuwingen worden gegeven voor uw veiligheid en die van anderen. We vragen u dan ook ze aandachtig te lezen voordat u het apparaat installeert en gebruikt.

Deze machine werd ontworpen om door bevoegde volwassenen te worden gebruikt. Zorg er dus voor dat kinderen de machine niet aanraken en niet als speelgoed beschouwen.

Deze machine is uitsluitend voorbehouden voor professioneel gebruik.

Het is gevaarlijk om de eigenschappen van deze machine te wijzigen of te proberen wijzigen.

Zorg er na de installatie van deze machine voor dat ze niet op het netsnoer staat.

Volg de meegeleverde gebruiksinstructies.

Deze machine moet worden bewaard en gebruikt in een ruimte die niet vochtig of warm wordt.

Deze machine moet voldoende verlicht zijn om het werk uit te voeren.

Deze machine heeft een geluidsniveau van minder dan 75 dB(A) conform de norm EN ISO 3744.

Deze machine mag slechts door één persoon tegelijkertijd worden gebruikt (behoudens tegengestelde instructie).



Haal altijd de stekker uit het stopcontact voordat u de buiten- of binnenkant van het apparaat schoonmaakt of onderhoud uitvoert.

Dit apparaat is zwaar. Neem alle veiligheidsmaatregelen tijdens het onderhoud.

4 TECHNISCHE EIGENSCHAPPEN

4.1 Technische eigenschappen

	MB S	MB L	MB XL
Hoogte (mm)	1206	1206	1206
Breedte (mm)	1310	1610	1610
Diepte (mm)	1120	1120	1320
Lengte van de goten (mm)	1060	1360	1360
Breedte van de goten (mm)	140 (160)		
Totaal aantal goten	33 (26)	33 (26)	40 (32)
Verpakking (mm)	205x140x130		
Nettogewicht (kg)	250	260	350
Nettogewicht + verpakking (kg)	280	290	380
Motorvermogen (kW)	0,25		
Motortype	Driefasig		
Materiaal van de goten	Synthetisch vilt		

Bacteriëndodende lamp met beveiliging en luchtafvoer	optie
Opklapbare vormgevingsschuif	optie
Pedaalbediening	optie
Monofilament goten	optie
Waterafstotende goten (Arconet)	optie

		DEEGKLOMPEN VAN 350 G		DEEGKLOMPEN VAN 550 G		DEEGKLOMPEN VAN 750 G		DEEGKLOMPEN VAN 950 G	
		Aantal via goten	Maximale capaciteit	Aantal via goten	Maximale capaciteit	Aantal via goten	Maximale capaciteit	Aantal via goten	Maximale capaciteit
STANDAARD GOTEN	MB S	7	231	6	198				
	MB L	9	297	8	264				
	MB XL	9	360	8	320				
BREDE GOTEN	MB S	7	182	6	156	5	130	4	104
	MB L	9	234	8	208	7	182	6	156
	MB XL	9	288	8	256	7	224	6	192

4.2 Materiaal dat rechtstreeks in contact komt met het deeg

Vormgevingsschuif: Wol

Goten: Synthetische vilt/Synthetische vezels/Arconet

5 INSTALLATIE EN INBEDRIJFSTELLING

5.1 De machine uit de verpakking halen:

De machines worden uit onze ateliers op pallets, verankerd en met karton beschermd geleverd. U moet eerst en vooral de verpakking bekijken en elke transportschade onmiddellijk aan de koerier melden.

- A. Verwijder de riemen en let daarbij met name op de terugslag wanneer ze worden doorsneden.
- B. Als de machine al gemonteerd is, haal ze dan voorzichtig van de pallet.
- C. Als de machine nog niet gemonteerd is, raadpleeg dan de montagehandleiding.

Na het uitpakken van uw machine moet u nakijken of ze tijdens het transport geen schade heeft opgelopen. Meld ons elke afwijking.

5.2 Plaatsing:

Voor uitstekende prestaties en betrouwbaarheid op lange termijn moet u een plaats kiezen die:

Goed verlucht is, niet blootgesteld is aan direct zonlicht en uit de buurt is van warmtebronnen, met een vlak, stevig en trillingsvrij oppervlak.

5.3 Elektrische aansluiting:

BELANGRIJK: Verplichte aarding.

Er wordt aangeraden om de installatie te beveiligen met een zekering en differentieelschakelaar.

Uw elektriciteitsinstallatie die stroom levert aan de machine moet als volgt worden beveiligd:

- Noord-Amerika: Beveiliging 15 A
- Rest van de wereld: Beveiliging 16 A

Machines die uitgerust zijn met een regelaar moeten worden aangesloten op een aftakdoos op een lijn die uitgerust is met een differentieelschakelaar van 300 mA.

Opmerking: Elk probleem dat te wijten is aan een andere soort aansluiting wordt niet gedekt door de garantie.

Voordat u uw machine op het net aansluit en om een storing van de motor bij het onder spanning zetten te vermijden, is het belangrijk dat u controleert of het elektriciteitsnet overeenstemt met de eigenschappen van de machine (zie het identificatieplaatje).

Dit apparaat is conform de machinerichtlijnen 2006/42, 2006/95, 2004/108 en draagt de CE-markering die hiervan getuigt.

Houd rekening met de veiligheidspictogrammen op de machine:



Pictogram dat wijst op gevaar voor elektrocutie. Trek de machine vóór elke interventie uit het stopcontact. U vindt deze op het bedieningspaneel dat dienst doet als elektrische kast (fig.8, n°13).

U vindt het elektrische schema van de machine binnenin de elektrische kast (fig.8, n°12).

5.4 Inbedrijfstelling:

Zorg er vóór de inbedrijfstelling voor dat er zich geen enkel storend voorwerp bevindt op de bewegende onderdelen van de machine.

Wees er eerst zeker van (na controle van de elektrische overeenstemming) dat de motoren in de juiste richting draaien. Daartoe moeten de goten in de juiste richting lopen (indien dit niet het geval is, moet u 2 fasen omkeren op motorniveau).

Raadpleeg het hoofdstuk "Gebruik" voor informatie over het gebruik van de machine.

5.5 Gevaar:

Als er gevaar is voor de gebruiker of voor de machine, moet u de hoofdschakelaar gebruiken om de stroomtoevoer naar de machine te onderbreken.

Kom niet in de buurt van de rijkasten wanneer deze in beweging zijn.

Haal de stekker uit het stopcontact voordat u onderhoud uitvoert.

Elk onderhoud of vervanging van een onderdeel moet door een bevoegde verdeler worden uitgevoerd.

6 BEDIENINGS- EN VEILIGHEIDSPANEEL

6.1 Bedieningspaneel:

Uw machine is standaard uitgerust met een mechanisch bedieningspaneel (fig. 3).

6.2 Werkzone:

De afstelling- en werkzone bevindt zich ter hoogte van de toegang tot de rijkasten (fig.2, n°5).

7 GEBRUIK

- A. Draai de vuistslagknop (noodstop) een kwartdraai naar rechts als deze niet ingeschakeld is (fig.3, n°9).
- B. Met een druk op een van de drukknoppen stoppen de rijkasten een voor een automatisch (fig.3, n°6,11).
- C. Als u langer drukt, dan gaan de rijkasten verder tot u stopt met drukken en stoppen ze automatisch bij de volgende rijkast zodra u de knop loslaat.
- D. U kunt uw MB laden (fig.4).
- E. Om de UV-optie te gebruiken, plaatst u de schakelaar in de positie UV (fig.3, n°10). Zorg ervoor dat de beschermplaat (fig.1, n°1) getrokken is tot de stoppositie.

Om het blad te installeren (fig1, n°2): (fig.6)

- A. Til het blad.
B. Klap de twee haken in die het blad op zijn plaats houden.



Vanwege de voedselhygiëne mag deeg of bloem dat op of buiten de machine is geweest, in geen enkel geval opnieuw worden gebruikt of in de voedselketen worden gebracht.

8 ONDERHOUD

8.1 Dagelijks door een opgeleide gebruiker.

De UV-cyclus starten (bij UV-optie) (7.E)

8.2 Wekelijks door een opgeleide gebruiker.

Maak de goten schoon met een droge borstel en krab eventueel met een plastic schraper de deegresten weg die aan de vilten kleven.

Maak de buitenkant van de machine minstens één keer per week schoon. Was de hele carrosserie met een niet-schurende spons en lauw zeepwater.

Spoel met een niet-schurende spons en droog zorgvuldig af met een zachte, niet-pluizerige vod.

Spuit de machine nooit schoon.

8.3 Maandelijks door een opgeleide gebruiker.

Zuig met de stofzuiger aan de binnenkant om het deeg of het bloem op de kettinggoten en het frame te verwijderen.

Blaas op de kettingen om alle bloemsporen te verwijderen.

8.4 Jaarlijks door een erkende verdeler.

Controleer de kettingspanning en stel ze af.

Smeer de kettinggewrichten.

Smeer de motorketting.

GEBUIK GEEN DIKKE OLIE EN GEEN VET DAT NIET VOOR VOEDING BESTEMD IS.

9 VERBRUIKSGOEDEREN

Ga bij de bestelling van een reserveonderdeel met uw verdeler na om welk stuk het gaat op basis van de reserveonderdelencatalogus van de fabrikant.

Geef altijd het machinenummer op zoals vermeld op het identificatieplaatje.

Uw verdeler voert de bestellingen uit bij JAC.

9.1 Lijst met VERBRUIKSGOEDEREN

REFERENTIE	NIEUWE OMSCHRIJVING	MODEL
BACTERIËNDODENDE LAMP	BACTERIËNDODENDE LAMP	ALLE
F201192	VILT GOOT	MB L/XL
F201112500	WITTE MONOFILAMENTGOOT	MB L/XL
F201112501	BLAUWE MONOFILAMENTGOOT	MB L/XL
F20119202	GOOT ARCONET-T	MB L/XL
F2011122	VILT BREDE GOOT	MB L/XL
F201112600	WITTE BREDE MONOFILAMENTGOOT	MB L/XL
F201112601	BLAUWE BREDE MONOFILAMENTGOOT	MB L/XL
F201112202	BREDE GOOT ARCONET-T	MB L/XL
F2011117	VILT GOOT	MB S
F201112300	WITTE MONOFILAMENTGOOT	MB S
F201112301	BLAUWE MONOFILAMENTGOOT	MB S
F201111702	GOOT ARCONET-T	MB S
F2011120	VILT BREDE GOOT	MB S
F201112401	BLAUWE BREDE MONOFILAMENTGOOT	MB S
F201112002	BREDE GOOT ARCONET-T	MB S
F2011042	AANDRIJFKETTING MOTOR	MB S/L/XL

10 STORINGEN

OPGELET: Bij elke tussenkomst moet de machine uit het stopcontact worden getrokken.

Probleem	Controle
De machine start niet op	Controleer de stroomtoevoer. Controleer het thermische relais. Controleer of de noodstopknop niet is ingeschakeld. Controleer of de startknop is ingedruwd.
De motor ronkt maar start niet op	Controleer de voeding, mogelijk ontbreekt een fase.
De machine stopt niet meer of stopt onmiddellijk om het even waar	Controleer of er niets de werking van het einde van de cyclus hindert in het paneel bovenaan in de rechterzijde.
De ketting springt en kraakt	Controleer de kettingspanning. Controleer of ze goed is ingevet. Controleer de staat van de kettingwielen. De vier M14-moeren onderaan de machine moeten verwijderd zijn.
De goten draaien zich om	Controleer of de goten niet vervormd zijn. Controleer of de klittenbanden niet zijn losgekomen.



Als het probleem zich blijft voordoen, neem dan contact op met uw technicus.

11 HANDMATIG LOSSEN VAN DE GOTEN

(fig.7)

OPGELET: Voor elke handeling moet u de machine volledig stopzetten en de stekker uit het stopcontact halen.

In het geval van een stroompanne of andere problemen waardoor de motor niet draait, kan de rustkamer handmatig worden bediend:

- Verwijder de motorkap door de vier schroeven te verwijderen die hem op zijn plaats houden.
- Verwijder het plastic dat de lager beschermt.
- Plaats de M8-schroef aan het uiteinde van de reductoras.
- Keer de ontkoppelingsnaaf om.

- E. Plaats de M8-schroef opnieuw aan het uiteinde van de as zonder deze te verhinderen om het geheel op zijn plaats te houden.
- F. Laat de machine draaien met de meegeleverde knipsleutel door deze te plaatsen op het zeskantige holle gedeelte van de aandrijfjas.
- G. Monteer na gebruik opnieuw de hele koppeling in de omgekeerde volgorde van de punten C, D en E.
- H. Plaats de motorkap opnieuw op zijn plaats.

12 LIJST MET ONDERDELEN OP DE AFBEELDINGEN

Afbeelding	Nummer	Naam
1	1	UV-sluitplaat
	2	Vormgevingsschuif
	3	Bedieningspaneel
	4	Plastic dekblad
2	5	Werkzone
3	6	Drukknop voor de verplaatsing van de goten
	7	Pedaalbediening (optie)
	8	Stopcontacten
	9	Noodstop
	10	UV-keuzeschakelaar
	11	Drukknop voor de verplaatsing van de goten
8	12	Pictogram dat wijst op gevaar voor elektrocutie
	13	Schakelkast

1	ПЕРЕД ВВОДОМ В ЭКСПЛУАТАЦИЮ	46
2	ГАРАНТИЯ.....	46
3	ПРЕДУПРЕЖДЕНИЯ.....	47
4	ТЕХНИЧЕСКИЕ ХАРАКТЕРИСТИКИ	48
4.1	Технические характеристики	48
4.2	Подробности о материалах, находящихся в непосредственном контакте с тестом.	49
5	УСТАНОВКА И ВВОД В ЭКСПЛУАТАЦИЮ	49
5.1	Распаковка машины	49
5.2	Место установки	49
5.3	Электрическое подключение.....	49
5.4	Ввод в эксплуатацию.....	50
5.5	Опасность	50
6	ОРГАНЫ УПРАВЛЕНИЯ И ПРЕДОХРАНИТЕЛЬНЫЕ УСТРОЙСТВА	50
6.1	Органы управления.....	50
6.2	Рабочая зона.....	50
7	ЭКСПЛУАТАЦИЯ	51
8	ТЕХНИЧЕСКОЕ ОБСЛУЖИВАНИЕ	51
8.1	Ежедневное, выполняется пользователем, прошедшим подготовку.....	51
8.2	Еженедельное, выполняется пользователем, прошедшим подготовку.....	51
8.3	Ежемесячное, выполняется пользователем, прошедшим подготовку.....	51
8.4	Ежегодное, выполняется аккредитованным специалистом.	52
9	РАСХОДНЫЕ МАТЕРИАЛЫ.....	52
9.1	Список РАСХОДНЫХ МАТЕРИАЛОВ	52
10	НЕПОЛАДКИ В РАБОТЕ	53
11	РУЧНАЯ РАЗГРУЗКА ЛОТКОВ.....	53
12	СПИСОК КОМПЛЕКТУЮЩИХ НА ИЗОБРАЖЕНИЯХ.....	54

1 ПЕРЕД ВВОДОМ В ЭКСПЛУАТАЦИЮ

Благодарим за то, что выбрали компанию JAC. Перед установкой машины и ее вводом в эксплуатацию обязательно прочтите настоящее руководство. Таким образом вы сможете защитить себя и избежать повреждений машины.

В настоящем руководстве содержатся ссылки на различные изображения, облегчающие понимание инструкций. Эти изображения находятся в конце руководства. Обращайтесь к ним, когда встретите в тексте обозначения следующего вида: (fig.X, n°Y).

Для обеспечения бесперебойной работы машины в будущем предлагаем ознакомиться с представленными ниже правилами.

— Для установки машины, ее ввода в эксплуатацию и контроля работы обращайтесь к аккредитованному специалисту.

— Чтобы на машину подействовала 5-летняя гарантия (см. необходимые условия далее), дистрибьютор должен заполнить журнал технического обслуживания при установке машины. Журнал технического обслуживания находится с тыльной части машины.

2 ГАРАНТИЯ



Компания JAC предоставляет 5-летнюю гарантию на всю свою продукцию.

Гарантия распространяется на все детали машины, в том числе электронные, кроме расходных материалов. Гарантия вступает в силу с даты установки оборудования.

Гарантия действует при соблюдении следующих ограничительных условий:

- Приобретение оборудования у аккредитованного дистрибьютора.
- Выполнение установки аккредитованным специалистом.
- Использование оборудования в соответствии с указаниями в руководстве по эксплуатации и по назначению, предусмотренному при производстве.
- Ежедневное обслуживание оборудования в соответствии с указаниями в руководстве по эксплуатации.
- Выполнение технического обслуживания аккредитованным специалистом в соответствии с требованиями по техническому обслуживанию не реже одного раза в год (производится за счет пользователя).
- Использование исключительно оригинальных деталей компании JAC.



При отсутствии контроля технического обслуживания со стороны аккредитованного специалиста и (или) в случае неправильного ведения журнала технического обслуживания действие гарантии ограничивается одним годом.

Гарантия не распространяется:

- На замену расходных материалов (§9).
- На детали, признанные неисправными не нашей компанией.
- На проблемы, возникшие вследствие неправильной эксплуатации оборудования.

— На проблемы, возникшие вследствие установки машины не аккредитованным специалистом.

— На детали или проблемы, связанные с нанесением ущерба во время транспортировки или ненадлежащим обращением при погрузочно-разгрузочных работах.

Ремонт и (или) замена неисправных деталей, выполненные в течение гарантийного периода, не могут послужить причиной продления данной гарантии.

3 ПРЕДУПРЕЖДЕНИЯ

Настоящее руководство следует сохранить для получения справочной информации при дальнейшей эксплуатации машины. В случае продажи или передачи машины другому лицу следует удостовериться, что руководство по эксплуатации передается вместе с ней, чтобы пользователь мог получить информацию о ее работе и связанных с ней предупреждениях.



Предупреждения изложены для обеспечения вашей безопасности и безопасности других лиц. Просим вас внимательно прочесть эти предупреждения перед установкой и эксплуатацией машины.

Машина разработана для использования совершеннолетними лицами с соответствующим разрешением. Поэтому нужно следить за тем, чтобы дети не прикасались к машине и не использовали ее в качестве игрушки.

Машина предназначена исключительно для использования в рабочих целях.

Опасно вносить изменения в характеристики машины или предпринимать соответствующие попытки.

После установки машины убедитесь в том, что она не стоит на кабеле электроснабжения.

Соблюдайте данные инструкции по эксплуатации.

Машина должна храниться и использоваться в помещении, защищенном от сырости и жары.

Машина должна быть достаточно освещена для выполнения работы.

Уровень шума машины ниже 75 дБ(А) согласно стандарту EN ISO 3744.

Машина не должна использоваться несколькими операторами параллельно (если не предписано иное).



Всегда отключайте машину от сети электропитания перед выполнением чистки внутренних/внешних поверхностей и операций по техническому обслуживанию.

Машина тяжелая. Принимайте все необходимые меры предосторожности при транспортировке и погрузочно-разгрузочных работах.

4 ТЕХНИЧЕСКИЕ ХАРАКТЕРИСТИКИ

4.1 Технические характеристики

	MB S	MB L	MB XL
Высота (мм)	1206	1206	1206
Ширина (мм)	1310	1610	1610
Глубина (мм)	1120	1120	1320
Длина лотков (мм)	1060	1360	1360
Ширина лотков (мм)	140 (160)		
Общее количество лотков	33 (26)	33 (26)	40 (32)
Упаковка (мм)	205x140x130		
Масса нетто (кг)	250	260	350
Масса нетто + упаковка (кг)	280	290	380
Мощность мотора (кВт)	0,25		
Тип мотора	Трехфазный		
Материал для лотков	Синтетический войлок		

Антибактериальная лампа с защитой и вытяжкой воздуха	опция
Откидная полка для округления	опция
Ножное управление	опция
Лотки из моноволокна	опция
Водоотталкивающие лотки (Arconet)	опция

		ТЕСТОВЫЕ ЗАГОТОВКИ 350 Г		ТЕСТОВЫЕ ЗАГОТОВКИ 550 Г		ТЕСТОВЫЕ ЗАГОТОВКИ 750 Г		ТЕСТОВЫЕ ЗАГОТОВКИ 950 Г	
		Количество по лоткам	Производительность максимальная	Количество по лоткам	Производительность максимальная	Количество по лоткам	Производительность максимальная	Количество по лоткам	Производительность максимальная
ЛОТКИ СТАНДАРТНЫЕ	MB S	7	231	6	198				
	MB L	9	297	8	264				
	MB XL	9	360	8	320				
ШИРОКИЕ ЛОТКИ	MB S	7	182	6	156	5	130	4	104
	MB L	9	234	8	208	7	182	6	156
	MB XL	9	288	8	256	7	224	6	192

4.2 Подробности о материалах, находящихся в непосредственном контакте с тестом.

Полка для округления: Шерсть

Лотки: синтетический войлок/синтетика/Arconet

5 УСТАНОВКА И ВВОД В ЭКСПЛУАТАЦИЮ

5.1 Распаковка машины

Машины из наших цехов поставляются на поддонах, закрепленные ремнями и в защитной картонной коробке. Прежде всего следует осмотреть упаковку на предмет наличия повреждений, полученных во время транспортировки, и сообщить о них непосредственно экспедитору.

- A. Снимите ремни, обратив особое внимание на их ослабление при разрезании.
- B. Если машина уже в собранном виде, осторожно спустите ее с поддона.
- C. Если машина в разобранном виде, обратитесь к руководству по монтажу.

После распаковки машины убедитесь, что она не подвергалась повреждениям во время транспортировки. Сообщайте нам о любых дефектах.

5.2 Место установки

Для обеспечения долгосрочной высокой производительности и надежности машины следует правильно выбрать место установки.

Оно должно быть хорошо проветриваемым, защищенным от воздействия прямых солнечных лучей, удаленным от источников тепла, с ровной и прочной поверхностью, не подвергающейся вибрации.

5.3 Электрическое подключение

ВАЖНО! Обязательно наличие заземления.

Рекомендуется защитить электрическую установку с помощью плавкого предохранителя и дифференциального автоматического выключателя.

Электрическая установка, обеспечивающая питание машины, должна быть защищена следующим образом:

- Северная Америка: защита 15 А.
- Остальные страны: защита 16 А.

Машины, оборудованные регулятором скорости, обязательно должны подключаться к разветвительной коробке на линии с дифференциальным автоматом 300 мА.

Примечание. Любые проблемы, возникшие в связи с иным видом подключения, не будут покрываться гарантией.

Перед подключением машины к электросети и во избежание выхода мотора из строя в момент подключения следует убедиться в соответствии электросети характеристикам машины (см. заводской щиток).

Машина соответствует директивам о безопасности машин и оборудования 2006/42, 2006/95, 2004/108 и имеет подтверждающую маркировку ЕС.

Ознакомьтесь с пиктограммами техники безопасности, имеющимися на машине.



Пиктограмма, предупреждающая об опасности поражения электрическим током. Отключите машину от электросети перед выполнением любых работ. Пиктограмма находится на панели управления, используемой в качестве отсека электрощитка (fig.8, n°13).

Электросхема машины находится внутри отсека электрощитка. (fig.8, n°12)

5.4 Ввод в эксплуатацию

Перед вводом в эксплуатацию убедитесь в отсутствии любых посторонних предметов на подвижных частях машины.

После проверки соответствия электрических характеристик в первую очередь убедитесь в том, что моторы вращаются в правильном направлении: лотки должны перемещаться в правильном направлении (если это не так, поменяйте местами 2 фазы на моторе).

Для получения ответов на все вопросы, касающиеся эксплуатации машины, см. раздел «Эксплуатация».

5.5 Опасность

В случае возникновения опасности для пользователя или для машины следует отключить электропитание с помощью главного выключателя.

Не приближайтесь к люлькам, когда они находятся в движении.

Извлеките штекер из электрической розетки перед выполнением любых операций по техническому или периодическому обслуживанию.

Все операции по техническому обслуживанию или замене деталей должны осуществляться аккредитованным специалистом.

6 ОРГАНЫ УПРАВЛЕНИЯ И ПРЕДОХРАНИТЕЛЬНЫЕ УСТРОЙСТВА

6.1 Органы управления

Машина серийно оборудована механическим пультом управления (fig. 3).

6.2 Рабочая зона

Рабочая регулировочная зона находится на уровне доступа к люлькам (fig.2, n°5).



7 ЭКСПЛУАТАЦИЯ

А. Поверните на 1/4 оборота вправо большую нажимную кнопку (аварийный остан), если она не включена. (fig.3, п°9).

В. После нажатия одной из нажимных кнопок люльки начинают поочередно перемещаться и автоматически останавливаются на следующей. (fig.3, п°6,11)

С. После нажатия и удержания кнопки люльки перемещаются столько, сколько удерживается кнопка, и автоматически останавливаются на следующей люльке после отпускания кнопки.

Д. Можно начинать загрузку машины MB. (fig.4)

Е. Для использования опции УФ-обработки установите переключатель в положение УФ (fig.3, п°10). Убедитесь, что защитная пластина (fig.1, п°1) вытянута до упора.

Чтобы разложить полку (fig1, п°2): (fig.6)

А. Приподнимите полку.

В. Отверните два уголка, поддерживающих полку.



Из соображений пищевой гигиены запрещено повторное использование в пищевой цепи теста и муки, остающихся на машине или снаружи.

8 ТЕХНИЧЕСКОЕ ОБСЛУЖИВАНИЕ

8.1 Ежедневное, выполняется пользователем, прошедшим подготовку.

Запустите цикл УФ-обработки (если есть опция УФ) (7.Е)

8.2 Еженедельное, выполняется пользователем, прошедшим подготовку.

Очистите лотки с помощью сухой щетки и при необходимости пластмассового скребка от остатков теста, которые могут прилипнуть к войлоку.

Очищайте внешние поверхности машины не менее одного раза в неделю; мойте корпус с помощью неабразивной губки, смоченной в теплой мыльной воде.

Выполняйте очистку с помощью неабразивной губки; тщательно протирайте мягкой неворсистой ветошью.

Запрещается мыть машину под сильным напором воды.

8.3 Ежемесячное, выполняется пользователем, прошедшим подготовку.

Выполните чистку пылесосом внутренних поверхностей для удаления скоплений теста или муки в каналах цепи и на каркасе.

Продувка цепей для удаления остатков муки.

8.4 Ежегодное, выполняется аккредитованным специалистом.

Проверьте и отрегулируйте натяжение цепи.

Смажьте все звенья цепей.

Смажьте цепи мотора.

ВНИМАНИЕ! ИСПОЛЬЗОВАНИЕ ГУСТЫХ МАСЕЛ И НЕПИЩЕВЫХ ЖИРОВ ЗАПРЕЩЕНО.

9 РАСХОДНЫЕ МАТЕРИАЛЫ

При заказе запасной части проверьте вместе с аккредитованным специалистом, о какой детали идет речь, по каталогу запасных частей, выпускаемому производителем.

Всегда уточняйте номер машины, указанный на заводском щитке.

Заказ в компании JAC может разместить ваш аккредитованный специалист.

9.1 Список РАСХОДНЫХ МАТЕРИАЛОВ

ITEM CODE	NEW DESCRIPTION	MODEL
GERMICIDAL LAMP	GERMICIDAL LAMP	ALL
F201192	TROUGH FELT	MB L/XL
F201112500	MONOFILAMENT TROUGH, WHITE	MB L/XL
F201112501	MONOFILAMENT TROUGH, BLUE	MB L/XL
F20119202	TROUGH, ARCONET-T	MB L/XL
F2011122	TROUGH, WIDE FELT	MB L/XL
F201112600	MONOFILAMENT TROUGH, WIDE, WHITE	MB L/XL
F201112601	MONOFILAMENT TROUGH, WIDE, BLUE	MB L/XL
F201112202	TROUGH, WIDE, ARCONET-T	MB L/XL
F2011117	TROUGH FELT	MB S
F201112300	MONOFILAMENT TROUGH, WHITE	MB S
F201112301	MONOFILAMENT TROUGH, BLUE	MB S
F201111702	TROUGH, ARCONET-T	MB S
F2011120	TROUGH, WIDE FELT	MB S
F201112401	MONOFILAMENT TROUGH, WIDE, BLUE	MB S
F201112002	TROUGH, WIDE, ARCONET-T	MB S
F2011042	MOTOR DRIVE CHAIN	MB S/L/XL

10 НЕПОЛАДКИ В РАБОТЕ

ВНИМАНИЕ! Перед выполнением любых ремонтных работ машина должна быть отключена от электроснабжения.

Проблема	Проверка
Машина не запускается	Проверить электропитание Проверить термореле Проверить, не включена ли кнопка аварийного останова Проверить, включена ли кнопка «Пуск»
Мотор гудит, но не запускается	Проверить электропитание: возможно, нет фазы
Машина не останавливается или сразу же останавливается в любой момент	Убедиться, что ничто не мешает работе ограничителя хода, расположенного на правой верхней боковой панели
Цепь проскакивает и трещит	Проверить натяжение цепи Проверить смазку Проверить состояние шестерней Нужно снять 4 гайки М14, расположенные снизу машины
Лотки переворачиваются	Проверить, не деформированы ли лотки Проверить, не отлепились ли липучки



Если проблема не устраняется, обратитесь к вашему техническому специалисту.

11 РУЧНАЯ РАЗГРУЗКА ЛОТКОВ

(fig.7)

ВНИМАНИЕ! Перед выполнением любых операций необходимо отключить машину с помощью главного выключателя и отсоединить шнур питания.

В случае перебоя в электроснабжении или других проблем, препятствующих вращению мотора, машиной для расстойки тестовых заготовок можно управлять вручную.

- A. Снимите крышку мотора, открутив 4 винта, которыми она закреплена.
- B. Снимите пластмассовый колпачок, закрывающий подшипник.
- C. Открутите винт М8 на конце вала редуктора.

- D. Проверните расцепную муфту.
- E. Закрутите винт М8 на конце вала, не фиксируя его, для поддержки узла.
- F. Прокрутите машину с помощью ключа с трещоткой, входящего в комплект поставки, поместив его в шестиугольное углубление приводного вала.
- G. После использования снова соберите узел сцепления, выполнив в обратном порядке действия, описанные в пунктах С, D и E.
- H. Установите на место крышку мотора.

12 СПИСОК КОМПЛЕКТУЮЩИХ НА ИЗОБРАЖЕНИЯХ

Изображение	Номер	Название
1	1	Запирающая пластина УФ
	2	Полка для округления
	3	Пульт управления
	4	Пластмассовый колпачок
2	5	Рабочая зона
3	6	Кнопка перемещения лотков
	7	Ножное управление (опция)
	8	Электрические разъемы
	9	Аварийный останов
	10	Переключатель режима УФ
	11	Кнопка перемещения лотков
8	12	Пиктограмма, предупреждающая об опасности поражения электрическим током.
	13	Отсек электрощитка

1	ANTES DE LA PUESTA EN SERVICIO.....	56
2	GARANTÍA	56
3	ADVERTENCIAS.....	57
4	CARACTERÍSTICAS TÉCNICAS.....	58
4.1	Características técnicas.....	58
4.2	Detalle de materiales en contacto directo con la masa.	58
5	INSTALACIÓN Y PUESTA EN SERVICIO.....	59
5.1	Desembalaje de la máquina:.....	59
5.2	Ubicación:	59
5.3	Conexión eléctrica:.....	59
5.4	Puesta en servicio:.....	60
5.5	Peligro:	60
6	CUADRO DE CONTROL Y DE SEGURIDAD.....	60
6.1	Cuadro de control:.....	60
6.2	Área de trabajo:	60
7	USO.....	61
8	LIMPIEZA.....	61
8.1	Diaria por un usuario formado.	61
8.2	Semanal por un usuario formado.	61
8.3	Mensual por un usuario formado.....	61
8.4	Anual por un agente autorizado.	62
9	CONSUMIBLES.....	62
9.1	Lista de CONSUMIBLES.....	62
10	INCIDENTES DE FUNCIONAMIENTO	63
11	DESCARGA MANUAL DE LOS MOLDES.....	63
12	LISTA DE COMPONENTES DE LAS FIGURAS.....	64

1 ANTES DE LA PUESTA EN SERVICIO

Gracias por elegir una solución JAC. Lea con atención este manual de uso antes de instalar y poner en servicio esta máquina. De esta forma, usted puede protegerse y evitar el deterioro de su máquina.

Este manual hace referencia a distintas figuras con el fin de facilitar la comprensión de las instrucciones. Estas figuras se encuentran al final del manual. Consúltelas cuando vea los siguientes símbolos: fig.X, n°Y.

Para que el funcionamiento de su máquina sea satisfactorio a lo largo de los próximos años, le invitamos a que lea los siguientes consejos:

- Solicite ayuda a su agente autorizado para la instalación, la puesta en servicio y el seguimiento.
- Para poder beneficiarse de la garantía de 5 años (consulte las condiciones recogidas a continuación), solicite a su distribuidor que complete la tarjeta de mantenimiento al instalar su máquina. Esta tarjeta de mantenimiento se encuentra en la parte trasera de su máquina.

2 GARANTÍA



JAC ofrece una garantía de 5 años en todos sus productos.

Esta garantía es válida para todas las piezas de su máquina, incluidas las electrónicas, excluyendo los consumibles. La garantía entra en vigor a partir de la fecha de instalación del material.

Con las siguientes condiciones restrictivas:

- El material debe haberse adquirido a un revendedor autorizado.
- La instalación deberá efectuarla un agente autorizado.
- El material debe utilizarse conforme a las indicaciones del manual de uso y para la finalidad para la que ha sido fabricado.
- El mantenimiento diario del material debe efectuarse conforme a las indicaciones del manual de uso.
- El agente autorizado debe hacer un seguimiento del mantenimiento conforme a las especificaciones de mantenimiento, como mínimo, una vez al año (mantenimiento a cargo del usuario).
- Deben utilizarse exclusivamente piezas originales JAC.



Si un agente autorizado no efectúa el seguimiento del mantenimiento y/o la tarjeta de mantenimiento no está cumplimentada correctamente, la garantía se limita a un año.

Esta garantía no cubre:

- La sustitución de consumibles (§9).
- Las piezas que nuestros servicios no reconozcan como defectuosas.
- Los problemas derivados de un uso anormal del material.
- Los problemas derivados de una instalación no efectuada por un agente autorizado.

- Las piezas o los problemas causados por daños en el transporte o por un mantenimiento inadecuado.

Una reparación y/o una sustitución de piezas defectuosas efectuadas durante el periodo de garantía no supondrá la prolongación de dicha garantía.

3 ADVERTENCIAS

Es muy importante conservar este manual de uso junto con el aparato para futuras consultas. Si este aparato se vende o se transfiere a otra persona, asegúrese de que se le entrega también el manual de uso para que el usuario pueda estar informado de su funcionamiento y de las advertencias que se recogen aquí.



Estas advertencias se dan por su seguridad y la de los demás. Le rogamos que las lea con atención antes de instalar y utilizar el aparato.

Esta máquina está diseñada para su uso por adultos autorizados. Asegúrese de que los niños no la toquen o que no la usen como un juguete.

Esta máquina está destinada únicamente a un uso profesional.

Es peligroso modificar o intentar modificar las características de esta máquina.

Después de instalar la máquina, asegúrese de que no aplasta el cable de alimentación.

Siga las instrucciones de uso.

Esta máquina debe almacenarse y utilizarse dentro de un local, protegida de la humedad y del calor.

Esta máquina debe estar suficientemente iluminada para efectuar el trabajo.

Esta máquina tiene un nivel sonoro inferior a 75 dB(A) según la norma EN ISO 3744.

Esta máquina debe utilizarla una sola persona a la vez (salvo indicación contraria).



Desconecte siempre la toma de corriente antes de proceder a la limpieza interior y exterior del aparato y a las operaciones de mantenimiento.

Este aparato es pesado. Tome todas las precauciones de seguridad durante su mantenimiento.

4 CARACTERÍSTICAS TÉCNICAS

4.1 Características técnicas

	MB S	MB L	MB XL
Altura (mm)	1206	1206	1206
Anchura (mm)	1310	1610	1610
Profundidad (mm)	1120	1120	1320
Longitud de los moldes (mm)	1060	1360	1360
Anchura de los moldes (mm)	140 (160)		
Número total de moldes	33 (26)	33 (26)	40 (32)
Embalaje (mm)	205 x 140 x 130		
Peso neto (k)	250	260	350
Peso neto + embalaje (k)	280	290	380
Potencia del motor (kW)	0,25		
Tipo de motor	Trifásico		
Material de los moldes	Fieltro sintético		

Lámpara germicida con protección y extractor de aire	Opcional
Tabla de boleado abatible	Opcional
Mando de pie	Opcional
Moldes monofilamento	Opcional
Moldes hidrófugos (Arconet)	Opcional

		PASTONES DE 350 G		PASTONES DE 550 G		PASTONES DE 750 G		PASTONES DE 950 G	
		Número Por molde	Capacida d máxima	Número Por molde	Capacida d máxima	Número Por molde	Capacida d máxima	Número Por molde	Capacida d máxima
MOLDES ESTÁNDAR	MB S	7	231	6	198				
	MB L	9	297	8	264				
	MB XL	9	360	8	320				
MOLDES ANCHOS	MB S	7	182	6	156	5	130	4	104
	MB L	9	234	8	208	7	182	6	156
	MB XL	9	288	8	256	7	224	6	192

4.2 Detalle de materiales en contacto directo con la masa.

Tabla de boleado: Lana

Moldes: Fieltro sintético / Material sintético / Arconet

5.1 Desembalaje de la máquina:

Las máquinas que salen de nuestros talleres se entregan en palés atados y protegidos con cartón. Antes de realizar cualquier acción, debe observarse el embalaje e informar al transportista de cualquier daño debido al transporte.

- A. Quite las cinchas prestando especial atención a su distensión al seccionarlas.
- B. Si la máquina ya está montada, bájela del palé con cuidado.
- C. Si la máquina está desmontada, consulte las instrucciones de montaje.

Después de desembalar su máquina, compruebe que no ha sufrido daños durante el transporte. Infórmenos de cualquier anomalía.

5.2 Ubicación:

Para obtener un rendimiento excelente y una fiabilidad a largo plazo, elija una ubicación que esté:

Bien ventilada, protegida de los rayos directos del sol y alejada de fuentes de calor, con una superficie plana y robusta y sin vibraciones.

5.3 Conexión eléctrica:

IMPORTANTE: La toma de tierra es obligatoria.

Es aconsejable proteger la instalación con un fusible y un disyuntor diferencial.

La instalación eléctrica que suministra energía a la máquina debe estar protegida tal y como se indica a continuación:

- América del Norte: Protección 15 A.
- Resto del mundo: Protección 16 A.

Las máquinas equipadas con un variador deben estar conectadas obligatoriamente a una caja de derivación en una línea equipada con un diferencial de 300 mA.

Nota: La garantía no cubrirá cualquier problema ocasionado por una conexión de otro tipo.

Antes de conectar su máquina a la red y con el fin de evitar una avería del motor al encenderla, es importante comprobar la adecuación de la red de alimentación a las características de la máquina (consulte la placa informativa de la máquina).

Este aparato cumple con las directivas sobre máquinas 2006/42, 2006/95 y 2004/108 y lleva el marcado CE que lo certifica.

Consulte los pictogramas de seguridad que figuran en la máquina:



Pictograma que indica un riesgo de electrocución. Desconecte la máquina antes de cualquier intervención en esta. Lo encontrará en el cuadro de control, que funciona como caja eléctrica (fig.8, n°13).

Encontrará el esquema eléctrico de la máquina dentro de la caja eléctrica (fig.8, nº12)

5.4 Puesta en servicio:

Antes de la puesta en servicio, asegúrese de que no queda ningún objeto sobrante en las partes en movimiento de la máquina.

En primer lugar, y después de comprobar que la toma de corriente se ajusta a las características eléctricas de la máquina, asegúrese de que los motores giran en el sentido correcto. Para ello, es necesario que los moldes avancen en el sentido correcto (en caso contrario, invierta 2 fases del motor).

Para utilizar la máquina, consulte el apartado «Uso».

5.5 Peligro:

En caso de peligro para el usuario o para la máquina, debe utilizar el interruptor general para cortar la alimentación de la máquina.

No se acerque a los distribuidores cuando estén en movimiento.

Quite el enchufe de la toma de corriente antes de efectuar cualquier operación de mantenimiento y de limpieza.

Cualquier operación de mantenimiento o de sustitución de piezas debe efectuarla un agente autorizado.

6 CUADRO DE CONTROL Y DE SEGURIDAD

6.1 Cuadro de control:

Su máquina está equipada de serie con un pupitre de control mecánico (fig.3)

6.2 Área de trabajo:

La zona de ajuste y de trabajo está situada a la altura del acceso a los distribuidores (fig.2, nº5)

7 USO

- A. Gire 1/4 de vuelta hacia la derecha el botón de parada de emergencia si no está accionado (fig.3, n°9).
- B. Pulsando uno de los botones manuales, los distribuidores avanzan uno a uno y se detienen automáticamente en el siguiente (fig.3, n°6,11)
- C. Con un pulsado prolongado, los distribuidores avanzan mientras se mantiene el botón pulsado y se detendrá automáticamente en el siguiente distribuidor al soltar el botón.
- D. Ya puede cargar su MB (fig.4).
- E. Para utilizar la opción UV, coloque el conmutador en posición UV (fig.3, n°10). Asegúrese de que la chapa de protección (fig.1, n°1) queda en posición de detención.

Para desplegar la tabla (fig.1, n°2): (fig.6).

- A. Levante la tabla.
- B. Coloque las dos escuadras de forma que sujeten la tabla.



Por motivos de higiene alimenticia, no debe utilizarse o devolver a la cadena alimenticia la masa o la harina que se encuentre en la parte superior de la maquina o fuera de ella.

8 LIMPIEZA

8.1 Diaria por un usuario formado.

Inicie el ciclo UV (en caso de opción UV) (7.E)

8.2 Semanal por un usuario formado.

Limpie los moldes con un cepillo seco y, si es necesario, rasque con una rasqueta de plástico los residuos de masa que puedan estar pegados en los fieltros.

Limpie el exterior de la máquina un mínimo de una vez por semana, lave el conjunto de la carrocería con una esponja no abrasiva y con agua tibia con jabón.

Enjuague con una esponja no abrasiva y seque con cuidado con un paño suave que no deje pelusas.

No lave nunca la máquina con chorros de agua.

8.3 Mensual por un usuario formado.

Pase el aspirador por el interior de la máquina para eliminar los montones de masa o de harina en los caminos de la cadena y en la carcasa.

Sople las cadenas para eliminar todos los restos de harina.

8.4 Anual por un agente autorizado.

Compruebe y ajuste la tensión de la cadena.

Lubrique las articulaciones de las cadenas.

Lubrique la cadena del motor.

ATENCIÓN, NO UTILICE ACEITES ESPESOS NI GRASAS NO ALIMENTICIAS.

9 **CONSUMIBLES**

Al pedir una pieza de recambio, compruebe con su agente autorizado de qué pieza se trata con base en el catálogo de piezas de recambio del fabricante.

Indique siempre el número de máquina tal y como se indica en la placa informativa.

Su agente efectuará el pedido a JAC.

9.1 Lista de CONSUMIBLES

REFERENCIA	NUEVA ETIQUETA	MODELO
LÁMPARA GERMICIDA	LÁMPARA GERMICIDA	TODAS
F201192	MOLDE FIELTRO	MB L/XL
F201112500	MOLDE MONOFILAMENTO BLANCO	MB L/XL
F201112501	MOLDE MONOFILAMENTO AZUL	MB L/XL
F20119202	MOLDE ARCONET-T	MB L/XL
F2011122	MOLDE ANCHO FIELTRO	MB L/XL
F201112600	MOLDE ANCHO MONOFILAMENTO BLANCO	MB L/XL
F201112601	MOLDE ANCHO MONOFILAMENTO AZUL	MB L/XL
F201112202	MOLDE ANCHO ARCONET-T	MB L/XL
F2011117	MOLDE FIELTRO	MB S
F201112300	MOLDE MONOFILAMENTO BLANCO	MB S
F201112301	MOLDE MONOFILAMENTO AZUL	MB S
F201111702	MOLDE ARCONET-T	MB S
F2011120	MOLDE ANCHO FIELTRO	MB S
F201112401	MOLDE ANCHO MONOFILAMENTO AZUL	MB S
F201112002	MOLDE ANCHO ARCONET-T	MB S
F2011042	CADENA DE ARRASTRE DEL MOTOR	MB S/L/XL

10 INCIDENTES DE FUNCIONAMIENTO

ATENCIÓN: Para cualquier intervención, la máquina deberá estar desenchufada obligatoriamente.

Problema	Comprobación
La máquina no se pone en funcionamiento	Compruebe la alimentación eléctrica Compruebe el relé térmico Compruebe que el botón de detención de emergencia no está pulsado Compruebe que el botón de encendido está accionado
El motor hace ruido, pero no empieza a funcionar	Compruebe la alimentación, es posible que falte una fase
La máquina no se puede detener o se detiene en cualquier momento	Compruebe que no hay nada que impida el funcionamiento del fin de carrera situado en el panel superior lateral derecho
La cadena salta y cruje	Compruebe la tensión de la cadena Compruebe que está bien engrasada Compruebe el estado de los piñones Las 4 tuercas M14 situadas debajo de la máquina deben estar quitadas
Los moldes se vuelven	Compruebe que los moldes no están deformados Compruebe que los velcros no están desenganchados



Si el problema persiste, póngase en contacto con su técnico.

11 DESCARGA MANUAL DE LOS MOLDES

(fig.7)

ATENCIÓN: ANTES DE MANIPULAR LA MÁQUINA, ACTIVE LA DETENCIÓN GENERAL Y DESCONECTE EL CABLE DE ALIMENTACIÓN

En caso de avería de corriente o cualquier otro problema que impida que gire el motor, se puede utilizar el reposapastones de forma manual:

- Quite la tapa del motor desatornillando los 4 tornillos que la sujetan.
- Quite la cubierta de plástico que protege el cojinete.
- Desmonte el tornillo M8 al final del árbol reductor.
- Vuelva a girar el buje de desacoplamiento.

- E. Monte el tornillo M8 al final del árbol sin bloquearla para sujetar el conjunto.
- F. Gire la máquina con la llave de carraca suministrada situándola en la parte hexagonal hueca del eje de arrastre.
- G. Después de utilizarlo, acople de nuevo el conjunto del embrague siguiendo los puntos C, D y E en el orden inverso.
- H. Vuelva a montar la tapa del motor.

12 LISTA DE COMPONENTES DE LAS FIGURAS

Figura	Número	Nombre
1	1	Chapa de cierre UV
	2	Tabla de boleado
	3	Puesto de control
	4	Cubierta de plástico
2	5	Área de trabajo
3	6	Botón de desplazamiento de los moldes
	7	Mando de pie (opcional)
	8	Tomas de corriente
	9	Detención de emergencia
	10	Selector UV
8	11	Botón de desplazamiento de los moldes
	12	Pictograma que indica un riesgo de electrocución
	13	Caja eléctrica

1	PRIMA DELLA MESSA IN FUNZIONE	66
2	GARANZIA	66
3	AVVERTENZE	67
4	CARATTERISTICHE TECNICHE	68
4.1	Caratteristiche tecniche	68
4.2	Dettaglio materiali in contatto con la pasta.	68
5	INSTALLAZIONE E MESSA IN FUNZIONE	69
5.1	Disimballo della macchina:.....	69
5.2	Posizionamento:	69
5.3	Collegamento elettrico:	69
5.4	Messa in servizio:	70
5.5	Pericolo:	70
6	ORGANO DI COMANDO E DI SICUREZZA	70
6.1	Organo di comando:.....	70
6.2	Zona di lavoro:	70
7	UTILIZZO	71
8	MANUTENZIONE	71
8.1	Quotidiana da parte di un utilizzatore addestrato.	71
8.2	Settimanale da parte di un utilizzatore addestrato.	71
8.3	Mensile da parte di un utilizzatore addestrato.....	71
8.4	Annuale da parte di un utilizzatore addestrato.	72
9	COMPONENTI DI CONSUMO	72
9.1	Elenco dei COMPONENTI DI CONSUMO	72
10	INCIDENTI DI FUNZIONAMENTO	73
11	SCARICO MANUALE DELLE TRAMOGGE	73
12	ELENCO DEI COMPONENTI INDICATI NELLE FIGURE	74

1 PRIMA DELLA MESSA IN FUNZIONE

Grazie per aver scelto una soluzione JAC. Si invita a leggere con attenzione queste note informative prima di procedere all'installazione e alla messa in servizio di questa macchina. Contengono informazioni su come proteggersi e come evitare il deterioramento della macchina.

Queste informazioni fanno riferimento a diverse figure, in modo da facilitare la comprensione delle istruzioni. Le figure si trovano al fondo delle informazioni. Si invita a farvi riferimento quando si incontrano i seguenti simboli (fig. X, n. Y).

Per una totale soddisfazione dall'utilizzo della macchina nei prossimi anni, si invita a tenere presenti i seguenti consigli:

- Farsi aiutare dal tecnico autorizzato per l'installazione, la messa in servizio e il follow-up.
- Per beneficiare della garanzia di 5 anni (vedere le condizioni riportate in seguito), far compilare dal distributore, il libretto di manutenzione al momento dell'installazione della macchina. Il libretto di manutenzione si trova nella parte posteriore della macchina.

2 GARANZIA



JAC offre una garanzia di 5 anni su tutti i suoi prodotti.

Questa garanzia è valida su tutte le parti della macchina, comprese quelle elettroniche, a parte i componenti di consumo. La garanzia entra in vigore a partire dalla data di installazione del materiale.

Secondo le seguenti condizioni restrittive:

- Materiale acquistato presso un rivenditore autorizzato.
- Installazione effettuata da un tecnico autorizzato.
- Utilizzo del materiale conformemente alle indicazioni sul modo di utilizzo e nel rispetto della finalità per la quale è stato fabbricato.
- Materiale quotidianamente mantenuto nel rispetto delle indicazioni delle modalità di utilizzo.
- Manutenzioni successive da parte del tecnico autorizzato conformemente alle specifiche di manutenzione con, al minimo, una manutenzione l'anno (manutenzione a carico dell'utente).
- L'utilizzo esclusivo di parti originali JAC.



Se non si eseguono interventi di manutenzione da parte di un tecnico autorizzato e/o il libretto di manutenzione non è correttamente completato, la garanzia si limita ad un anno.

Questa garanzia non copre:

- La sostituzione dei componenti di consumo (§9).
- Le parti non riconosciute difettose dai nostri servizi.
- I problemi derivanti da un utilizzo anomalo del materiale.
- I problemi derivanti da un'installazione non effettuata da un tecnico autorizzato.

- Le parti o i problemi derivanti da un danno di trasporto o da una manutenzione inadeguata.

Una riparazione e/o una sostituzione di parti difettose effettuate durante il periodo di garanzia non producono l'effetto di prolungare detta garanzia.

3 AVVERTENZE

È molto importante che le istruzioni per l'utilizzo siano conservate con l'apparecchio per ogni consultazione futura. Se questo macchinario deve essere venduto o trasferito ad un'altra persona, accertarsi che le istruzioni per l'utilizzo siano consegnate all'utente destinatario in modo che possa essere informato sul funzionamento e sui messaggi di avvertenza ad esso riferiti.



Tali avvertenze sono fornite per la vostra sicurezza e per quella altrui. Si prega di leggerle con attenzione prima di installare e utilizzare il macchinario.

Questa macchina è stata progettata per essere utilizzata da adulti autorizzati. Accertarsi quindi che i bambini non le si avvicinino e che non la utilizzino come un giocattolo.

Questa macchina è destinata unicamente ad un uso professionale.

È pericoloso modificare o provare a modificare le caratteristiche di questa macchina.

Accertarsi dopo averla installata, che non appoggi sul cavo di alimentazione.

Seguire le istruzioni fornite per l'utilizzo.

Questa macchina deve essere sistemata e utilizzata all'interno di un locale, al riparo da umidità e calore.

Deve essere illuminata a sufficienza per poter funzionare.

La macchina produce un livello di rumore inferiore a 75 dB(A), conforme alla norma EN ISO 3744.

La macchina deve essere utilizzata da una sola persona per volta (salvo prescrizioni contrarie).



Staccare sempre il cavo di alimentazione prima di procedere alla pulizia interna/esterna del macchinario e alle operazioni di manutenzione.

Questo macchinario è pesante. Adottare tutte le precauzioni di sicurezza al momento della manutenzione.

4 CARATTERISTICHE TECNICHE

4.1 Caratteristiche tecniche

	MB S	MB L	MB XL
Altezza (mm)	1206	1206	1206
Larghezza (mm)	1310	1610	1610
Profondità (mm)	1120	1120	1320
Lunghezza delle tramogge (mm)	1060	1360	1360
Larghezza delle tramogge (mm)	140 (160)		
Numero di tramogge totali	33 (26)	33 (26)	40 (32)
Imballaggio (mm)	205 x 140 x 130		
Peso netto (kg)	250	260	350
Peso NETTO + imballaggio (kg)	280	290	380
Potenza motore (kW)	0.25		
Tipo di motore	Trifase		
Materiale delle tramogge	Feltro sintetico		

Lampada germicida con protezione ed estrattore d'aria	opzionale
Ripiano di arrotondamento ribaltabile	opzionale
Comandi al piede	opzionale
Tramogge monolinea	opzionale
Tramogge idrorepellenti (Arconet®)	opzionale

		IMPASTI DA 350 GR		IMPASTI DA 550 GR		IMPASTI DA 750 GR		IMPASTI DA 950 GR	
		Numeri Per tramogge	Capacità massimo	Numeri Per tramogge	Capacità massimo	Numeri Per tramogge	Capacità massimo	Numeri Per tramogge	Capacità massimo
TRAMOGGE STANDARD	MB S	7	231	6	198				
	MB L	9	297	8	264				
	MB XL	9	360	8	320				
TRAMOGGE LARGHE	MB S	7	182	6	156	5	130	4	104
	MB L	9	234	8	208	7	182	6	156
	MB XL	9	288	8	256	7	224	6	192

4.2 Dettaglio materiali in contatto con la pasta.

Ripiano di arrotondamento: Lana

Tramogge: Feltro sintetico / Sintetico / Arconet

5.1 Disimballo della macchina:

Le macchine sono consegnate, franco fabbrica, su pallet, legate con cinghie e protette con pannelli di cartone. Prima di tutto, occorre esaminare l'imballaggio e ogni danno dovuto al trasporto deve essere dichiarato direttamente all'addetto alla consegna.

- A. Togliere le cinghie facendo particolare attenzione allo sgancio di queste ultime durante il taglio.
- B. Se la macchina è già montata, farla scendere dal pallet con precauzione.
- C. Se la macchina è in kit da montaggio, fare riferimento alle istruzioni di montaggio.

Dopo il disimballo della macchina, verificare che non abbia subito danni durante il trasporto. Segnalare ogni anomalia.

5.2 Posizionamento:

Per ottenere performance eccellenti e affidabilità a lungo termine, scegliere una posizione:

Ben ventilata, al riparo dai raggi solari diretti e lontano da fonti di calore, con una superficie piana, robusta e priva di vibrazioni.

5.3 Collegamento elettrico:

IMPORTANTE: Messa a terra obbligatoria.

Si consiglia di proteggere l'impianto con un fusibile e un salvavita.

L'impianto elettrico che alimenta la macchina deve essere protetto secondo quanto indicato qui di seguito:

- Nord America: Protezione 15 A;
- Resto del mondo: Protezione 16 A.

Le macchine dotate di variatore, devono necessariamente essere collegate ad una scatola di derivazione su di una linea dotata di salvavita da 300 mA.

Nota: Ogni problema derivante da un altro tipo di collegamento non sarà preso in considerazione ai fini della garanzia.

Prima di collegare la macchina alla rete e onde evitare una dismissione del motore all'avvio, è importante verificare la compatibilità della rete di alimentazione con le caratteristiche della macchina (vedere la relativa targa segnaletica).

Questo apparecchio è conforme alle direttive macchine 2006/42, 2006/95, 2004/108 e reca la marcatura CE che attesta detta conformità.

Si invita a prendere visione della segnaletica di sicurezza che figura sulla macchina:



Segnale che indica un rischio di folgorazione. Scollegare la macchina prima di eseguire qualsiasi intervento. Si trova sul pannello di comando che funge da quadro elettrico (fig. 8, n. 13).

All'interno del quadro elettrico si trova lo schema elettrico della macchina (fig. 8 n. 12).

5.4 Messa in servizio:

Prima della messa in servizio, accertarsi che non vi siano oggetti estranei sulle parti in movimento della macchina.

Accertarsi innanzitutto che (dopo verifica della compatibilità elettrica) che i motori girino nel senso corretto. Occorre che le tramogge avanzino nel senso corretto (Altrimenti invertire 2 fasi a livello del motore).

Per l'utilizzo della macchina, fare riferimento al capitolo "Utilizzo".

5.5 Pericolo:

In caso di pericolo per l'utente o per la macchina, utilizzare l'interruttore generale per interrompere l'alimentazione della macchina.

Non avvicinarsi ai ripiani a bilanciere quando sono in movimento.

Estrarre la scheda della presa elettrica prima di ogni operazione di manutenzione o di assistenza.

Ogni operazione di manutenzione o sostituzione delle parti deve essere effettuata da un tecnico autorizzato.

6 ORGANO DI COMANDO E DI SICUREZZA

6.1 Organo di comando:

La macchina è dotata di serie di un quadro di comando meccanico (fig. 3).

6.2 Zona di lavoro:

La zona di regolazione e di lavoro si trova al livello dell'accesso ai ripiani a bilanciere (fig. 2, n. 5).

7 UTILIZZO

- A. Ruotare di 1/4 di giro verso destra il pulsante a fungo (arresto d'emergenza), se non è azionato (fig. 3, n. 9).
- B. Dopo aver premuto uno dei pulsanti, i ripiani a bilanciere avanzano uno ad uno e si fermano automaticamente al successivo (fig.3, n. 6, 11).
- C. Dopo una pressione prolungata, i ripiani a bilanciere avanzano mentre si mantiene la pressione e si fermano automaticamente sul ripiano successivo al quale si rilascia il pulsante.
- D. È possibile caricare la macchina MB (fig. 4).
- E. Per l'utilizzo dell'opzione UV, posizionare l'interruttore su UV (fig. 3, n. 10). Accertarsi che la lamiera di protezione (fig. 1, n. 1) sia sistemata nella posizione di fermo.

Per espandere il ripiano (fig. 1, n. 2): (fig. 6)

- C. Sollevare il ripiano.
D. Aprire i due supporti di sostegno del ripiano.



Per motivi di igiene alimentare, in nessun caso la pasta o la farina che si trovano sopra o fuori dalla macchina devono essere riutilizzate o rimesse nella catena alimentare.

8 MANUTENZIONE

8.1 Quotidiana da parte di un utilizzatore addestrato.

Avviare il ciclo UV (se presente opzione UV) (7.E)

8.2 Settimanale da parte di un utilizzatore addestrato.

Pulire la tramoggia con una spazzola asciutta e grattare eventualmente con una spatola in plastica i residui di pasta che possono essere rimasti attaccati ai feltri.

Pulire l'esterno della macchina almeno una volta la settimana, lavare l'intero corpo macchina con una spugna non abrasiva e acqua tiepida con detergente.

Risciacquare con una spugna non abrasiva e asciugare con cura con un panno morbido senza pelucchi.

Non lavare mai la macchina con acqua abbondante.

8.3 Mensile da parte di un utilizzatore addestrato.

Passare l'aspirapolvere all'interno per eliminare i cumuli di impasto sul percorso della catena e sul telaio.

Soffiare sulle catene per eliminare ogni traccia di farina.

8.4 Annuale da parte di un utilizzatore addestrato.

Verificare e regolare la tensione della catena.

Lubrificare le articolazioni delle catene.

Lubrificare la catena motore.

ATTENZIONE A NON UTILIZZARE UN OLIO DENSO, NÉ GRASSO NON ALIMENTARE.

9 **COMPONENTI DI CONSUMO**

Al momento dell'ordine di parti di ricambio, verificare con il tecnico autorizzato di quale parte si tratta in base al catalogo delle parti di ricambio emesso dal fabbricante.

Precisare sempre il codice della macchina indicato sulla targa segnaletica.

Il tecnico effettua gli ordini presso JAC.

9.1 Elenco dei COMPONENTI DI CONSUMO

RIFERIMENTO	NUOVA DESCRIZIONE	MODELLO
LAMPADA GERMICIDA	LAMPADA GERMICIDA	TUTTE
F201192	TRAMOGGIA FELTRO	MB L/XL
F201112500	TRAMOGGIA MONOLINEA BIANCA	MB L/XL
F201112501	TRAMOGGIA MONOLINEA BLU	MB L/XL
F20119202	TRAMOGGIA ARCONET-T	MB L/XL
F2011122	TRAMOGGIA LARGA FELTRO	MB L/XL
F201112600	TRAMOGGIA LARGA MONOLINEA BIANCA	MB L/XL
F201112601	TRAMOGGIA LARGA MONOLINEA BLU	MB L/XL
F201112202	TRAMOGGIA LARGA ARCONET-T	MB L/XL
F2011117	TRAMOGGIA FELTRO	MB S,
F201112300	TRAMOGGIA MONOLINEA BIANCA	MB S
F201112301	TRAMOGGIA MONOLINEA BLU	MB S
F201111702	TRAMOGGIA ARCONET-T	MB S
F2011120	TRAMOGGIA LARGA FELTRO	MB S
F201112401	TRAMOGGIA LARGA MONOLINEA BLU	MB S
F201112002	TRAMOGGIA LARGA ARCONET-T	MB S
F2011042	CATENA DI TRASMISSIONE MOTORE	MB S/L/XL

10 INCIDENTI DI FUNZIONAMENTO

ATTENZIONE: Per ogni intervento, la macchina deve obbligatoriamente essere scollegata dall'alimentazione.

Problema	Verifica
La macchina non si mette in moto	Verificare l'alimentazione elettrica. Verificare il relè termico. Verificare se il pulsante di arresto d'emergenza è stato attivato. Verificare se il pulsante di avvio è stato azionato.
Il motore emette un rumore ma non parte	Verificare l'alimentazione, potrebbe mancare una fase.
La macchina non si spegne o si spegne a sproposito	Controllare che nulla impedisca il funzionamento del fine corsa situato nel pannello superiore laterale destro.
La catena salta e scricchiola	Verificare la tensione della catena. Controllare che sia correttamente lubrificata. Verificare lo stato dei pignoni. I 4 dadi M14 situati sotto la macchina devono essere rimossi.
Le tramogge non sono fisse	Verificare che le tramogge non siano deformate. Verificare che non si siano staccati alcuni fissaggi in velcro.



Se il problema persiste, contattare il proprio tecnico.

11 SCARICO MANUALE DELLE TRAMOGGE

(fig. 7)

ATTENZIONE: prima di ogni intervento annuale, attivare l'arresto generale e scollegare il cavo di alimentazione.

In caso di blackout o altri problemi che impediscono al motore di girare, la macchina può essere manovrata manualmente:

- A. Togliere il coperchio motore svitando le 4 viti che lo mantengono.
- B. Togliere la copertura in plastica che protegge il cuscinetto.
- C. Deposare le viti M8 all'estremità dell'albero riduttore.

- D. Girare il mozzo di sgancio.
- E. Riposizionare la vite M8 all'estremità dell'albero senza bloccarla per mantenere l'insieme.
- F. Far ruotare la macchina con la chiave a bussola in dotazione ponendola sulla parte esagonale cava dell'albero di trasmissione.
- G. Dopo l'utilizzo, accoppiare nuovamente l'insieme innesto nell'ordine inverso dei punti C, D e E.
- H. Rimontare il coperchio motore.

12 ELENCO DEI COMPONENTI INDICATI NELLE FIGURE

Figura	Numero	Nome
1	1	Lamiera di chiusura UV
	2	Ripiano di arrotondamento
	3	Postazione di azionamento
	4	Cappuccio in plastica
2	5	Zona di lavoro
3	6	Pulsante di spostamento delle tramogge
	7	Comando al piede (opzionale)
	8	Prese elettriche
	9	Arresto d'emergenza
	10	Selettore UV
	11	Pulsante di spostamento delle tramogge
8	12	Segnale che indica un rischio di folgorazione
	13	Quadro elettrico

76	1	قبل التشغيل
76	2	الضمان
77	3	تنبيهات
78	4	المواصفات الفنية
78	4.1	المواصفات الفنية
78	4.2	تفاصيل الخامات الملامسة بشكل مباشر للعجين
79	5	التركيب والتشغيل
79	5.1	فك تغليف الآلة
79	5.2	الموضع
79	5.3	التوصيل الكهربائي
80	5.4	التشغيل
80	5.5	خطر
80	6	جهاز التحكم والأمان
80	6.1	جهاز التحكم
80	6.2	منطقة عمل
80	7	الاستخدام
81	8	الصيانة
81	8.1	يومية بواسطة مستخدم مُدرّب
81	8.2	أسبوعية بواسطة مستخدم مُدرّب
81	8.3	شهرية بواسطة مستخدم مُدرّب
81	8.4	سنوية بمعرفة وكيل معتمد
82	9	قطع المستهلكات
82	9.1	قائمة بالمستهلكات
83	10	الأحداث العارضة أثناء التشغيل
84	11	تفريغ يدوي للأحواض الصغيرة
84	12	قائمة بالمكونات الموجودة في الأشكال

1 قبل التشغيل

نشكركم لاختياركم حلول JAC. تأكد من قراءة دليل الاستخدام هذا قبل تركيب وتشغيل هذه الآلة. يمكنك أن تحمي نفسك وتتجنب هكذا أن تتلف الآلة.

يشير هذا الدليل إلى أشكال مختلفة من أجل تسهيل فهم التعليمات. هذه الأشكال موجودة في نهاية هذا الدليل. يُرجى الرجوع إليها ما إن ترى الرموز التالية (شكل كذا، ورقم كذا).

من أجل أن تكون راضياً تماماً عن أداء هذه الآلة خلال السنوات القادمة، ندعوك إلى الاطلاع على النصائح التالية:

- استعن بوكيل معتمد من أجل التركيب والتشغيل والمتابعة.

- من أجل الاستفادة من الضمان ومدته 5 سنوات (انظر الشروط المذكورة بعد)، قم بواسطة الموزع، باستكمال دفتر الصيانة أثناء تركيب الآلة. يوجد دفتر الصيانة خلف الآلة.

2 الضمان

تقدم شركة JAC ضماناً على كل منتجاتها مدته 5 سنوات.

يسري هذا الضمان على كل قطع الآلة، بما فيها القطع الإلكترونية، دون المستهلكات. يسري الضمان من تاريخ تركيب المعدة.



بحسب الشروط المقيدة التالية:

- تم شراء المعدة من موزع معتمد؛
- تم التركيب بمعرفة وكيل معتمد؛
- استخدام المعدة وفقاً لتعليمات دليل الاستخدام وفي الغرض الذي صُنعت من أجله؛
- يتم صيانة المعدة يومياً وفقاً لإرشادات دليل الاستخدام؛
- يتابع الصيانة الوكيل المعتمد وفقاً لشروط الصيانة، مع إجراء الصيانة مرة في العام، على الأقل (الصيانة على حساب المستخدم).
- الاستخدام الحصري لقطع الغيار الأصلية من JAC.

إذا لم توجد صيانة من وكيل معتمد و/أو أن دفتر الصيانة غير مكتمل بشكل صحيح، تقتصر فترة الضمان على عام واحدة.

علماً بأن الضمان لا يشمل:

- استبدال المستهلكات (فقرة 9)؛
- قطع الغيار التي لم يقر قسم الخدمة الفنية بأنها تالفة؛
- المشكلات الناجمة عن الاستخدام غير السليم للمعدة؛
- المشكلات الناجمة عن تركيب لم يتم بمعرفة وكيل معتمد؛
- قطع الغيار أو المشكلات الناجمة عن تلف أثناء النقل أو المناولة غير المناسبة.

ليس من شأن الإصلاح و/أو الاستبدال لقطع الغيار التالفة الذي يتم خلال مدة الضمان أن يمدد هذا الضمان.



من المهم جدًا حفظ دليل الاستخدام هذا مع الجهاز للاطلاع عليه في المستقبل. إذا كان سيتم بيع أو نقل هذا الجهاز إلى شخص آخر، فتأكد أن يتم إعطاء دليل الاستخدام هذا بحيث يستطيع المستخدم معرفة تشغيله والتنبيهات المتعلقة به.

تم إعطاء هذه التنبيهات حرصاً على سلامتك وعلى سلامة الآخرين. الرجاء قراءتها بانتباه قبل تركيب واستخدام الجهاز.
تم تصميم هذه الآلة لكي يستخدمها أشخاص بالغون مسموح لهم باستخدامها. يرجى ألا يلمسها الأطفال أو أن يستخدموها كلعبة.
هذه الآلة مخصصة حصرياً للاستخدام المهني.



من الخطر تعديل أو محاولة تعديل مواصفات هذه الآلة.
بعد تركيب الآلة، تأكد أنها لا تستند على كابل كهرباء.
اتبع التعليمات المعطاة من أجل الاستخدام.
يجب تخزين واستخدام هذه الآلة داخل مكان بعيد عن الرطوبة والحرارة.
يجب أن يكون هناك إضاءة كافية لهذه الآلة للقيام بالعمل.
مستوى صوت هذه الآلة أقل من 75 ديسيبل وفقاً للمعيار EN ISO 3744.
يجب أن يستخدم هذه الآلة شخص واحد في الوقت الواحد (ما لم يوجد تعليمات مخالفة).

افصل دائماً التيار الكهربائي قبل القيام بالتنظيف الداخلي/الخارجي للجهاز وقبل عمليات الصيانة.

هذا الجهاز ثقيل الوزن. اتخذ كل احتياطات الأمان أثناء مناولته.



4 المواصفات الفنية

4.1 المواصفات الفنية

MB XL	MB L	MB S	
1206	1206	1206	الارتفاع (مم)
1610	1610	1310	العرض (مم)
1320	1120	1120	العمق (مم)
1360	1360	1060	طول الأحواض الصغيرة (مم)
	(160) 140		عرض الأحواض الصغيرة (مم)
(32) 40	(26) 33	(26) 33	إجمالي عدد الأحواض الصغيرة
	130 x 140 x 205		الحزم (مم)
350	260	250	الوزن الصافي (كجم)
380	290	280	الوزن الصافي + عبوة التغليف (كجم)
	0.25		قوة الموتور (كيلو واط)
	ثلاثي الأطوار (3 فازة)		نوع الموتور
	لباد صناعي		خامات الأحواض الصغيرة

اختياري	مصباح مبيد للجراثيم مع حماية وساحب للهواء
اختياري	لوحة للتدوير قابل للخفض
اختياري	مفتاح تشغيل بالقدم
اختياري	أحواض صغيرة أحادية
اختياري	أحواض صغيرة صادة للماء (Arconet)

قطع عجين وزن 950 جم		قطع عجين وزن 750 جم		قطع عجين وزن 550 جم		قطع عجين وزن 350 جم			
العدد حسب الأحواض الصغيرة	السعة الأقصى	العدد حسب الأحواض الصغيرة	السعة الأقصى	العدد حسب الأحواض الصغيرة	السعة الأقصى	العدد حسب الأحواض الصغيرة	السعة الأقصى		
				198	6	231	7	MB S	أحواض صغيرة قياسية
				264	8	297	9	MB L	
				320	8	360	9	MB XL	
104	4	130	5	156	6	182	7	MB S	أحواض واسعة
156	6	182	7	208	8	234	9	MB L	
192	6	224	7	256	8	288	9	MB XL	

4.2 تفاصيل الخامات الملامسة بشكل مباشر للعجين

لوحة التدوير: الصوف
الأحواض الصغيرة: لباد صناعي / صناعي / Arconet



5.1 فك تغليف الآلة:

تُبَاع الآلات، عند خروجها من ورشنا، على ألواح، ومربوطة بأشرطة ومحمية بورق الكرتون. قبل القيام بأي شيء، يجب فحص العبوة وإبلاغ شركة التوصيل مباشرة بأي تلف ناتج عن النقل.

A. انزع الأشرطة مع الانتباه بشكل خاص إلى ارتخاء هذه الأخيرة أثناء قطعها.

B. إذا كانت الآلة مركبة بالفعل، فأنزلها من على الألواح بحرص.

C. إذا كانت الآلة في صندوق، فارجع إلى دليل التركيب.

بعد إخراج الآلة من الكرتون، تحقق أنها لم تتعرض للتلف أثناء النقل. وأبلغنا بأي عطب.

5.2 الموضوع:

للحصول على أداء ممتاز وفعالية على المدى الطويل، اختر موضعاً:

جيد التهوية، وبعيداً عن أشعة الشمس المباشرة وبعيداً عن مصادر الحرارة مع سطح مستو وقوي وخالي من الاهتزازات.

5.3 التوصيل الكهربى:

هام: توصيل الطرف الأرضي الإلزامي.

يُنصَح بحماية التمديدات الكهربائية بمنصهر وقاطع تيار تفاضلي.

يجب حماية التمديدات الكهربائية التي تُغذي الآلة كما هو مُبين أدناه:

- أمريكا الشمالية: حماية 15 أمبير؛

بقية دول العالم: حماية 16 أمبير.

بالنسبة للآلات المجهزة بـ مُغيّر كهربائي، يجب توصيله على غلبة التفريغ على خط مجهز بقاطع تيار تفاضلي 300 ملي أمبير.

ملحوظة: أي مشكلة ناجمة عن التوصيل بشكل آخر لن يشملها الضمان.

قبل توصيل الآلة على شبكة الكهرباء ومن أجل تجنب وقف تشغيل الموتور عند توصيله بالكهرباء، من المهم التحقق من توافق شبكة الكهرباء مع مواصفات الآلة (انظر لوحة البيانات لهذه الآلة).

يتوافق هذا الجهاز مع التعليمات الخاصة بالآلات 42/2006 و 95/2006 و 108/2004 ويحمل علامة CE التي تشهد بذلك.

يرجى الاطلاع على الصور التوضيحية المتعلقة بالأمان الموجودة على الآلة:

صورة توضيحية تُشير إلى خطر الصعق بالكهرباء. يُرجى فصل الماكينة قبل أي إصلاح لها. يمكنك أن تجده على لوحة التحكم التي تحل محل الصندوق الكهربى (fig.8, n°13)

سوف تجد الرسم التخطيطي الكهربى للآلة داخل الصندوق الكهربى. (fig.8, n°12)



5.4 التشغيل:

قبل التشغيل، تأكد من عدم وجود أي شيء دخيل على الأجزاء المتحركة للألة.

تأكد أولاً (بعد التحقق من التوافق الكهربائي) من أن المواثير تدور في الاتجاه السليم، وعلامة ذلك أن الأحواض الصغيرة تتقدم نحو الاتجاه الصحيح (وإلا فقم بقلب 2 فإزة في الموتور).

لاستخدام الآلة، راجع فصل "الاستخدام".

5.5 خطر:

في حالة وجود خطر على المستخدم أو على الآلة، يجب عليك أن تستخدم مفتاح القطع العمومي لفصل التيار الكهربائي عن الآلة.

لا تقترب من صواني التآرجح عندما تتحرك.

اسحب القابض من المقبس الكهربائي قبل القيام بأية عملية صيانة أو فحص.

أي عملية صيانة أو استبدال قطعة غيار يجب أن تتم بواسطة وكيل معتمد.

6 جهاز التحكم والأمان

6.1 جهاز التحكم:

الآلة مجهزة بسلسلة من لوحة أزرار ميكانيكية (fig. 3)

6.2 منطقة عمل:

توجد منطقة الضبط والعمل في مدخل صواني التآرجح (fig.2, n°5)

7 الاستخدام

أ. قم بلف زر الإيقاف الفوري (إيقاف الطوارئ) ربع لفة نحو اليمين، إذا لم يكن قد تم تشغيله. (fig.3, n°9).

ب - بالضغط على أحد الأزرار الانضغاطية، تتقدم صواني التآرجح واحدة تلو الأخرى وتتوقف تلقائياً عند صينية التآرجح التالية. (fig.3, n°6,11)

ج - عند الضغط المطول، تتقدم صواني التآرجح طالما أن الضغط على الزر مستمر وتتوقف تلقائياً عند الصينية القادمة عند رفع الضغط عن الزر.

د. يمكنك تحميل حجرة التمدد MB (الشكل 4)

هـ. بالنسبة للخيار UV، ضع مفتاح توصيل الكهرباء على الوضع UV للحصول على هذا الوضع (fig.3, n°10). تأكد أن لوح الحماية (fig.1, n°1) مسحوب حتى وضع الإيقاف.

لبسط اللوح (fig.6): (fig1, n°2)
A. ارفع اللوح
B. قم ببسط الزاويتين اللتين توفران ثبات اللوح.

لأسباب تتعلق بسلامة الغذاء، لا يجب بتاتاً إعادة استخدام العجين أو الدقيق الموجود أعلى الآلة أو خارجها ولا إعادة وضعه في السلسلة الغذائية



8 الصيانة

8.1 يومية بواسطة مستخدم مُدرّب.

ابدأ الدورة UV (إذا كان هناك خيار UV)، (بند 7 هـ).

8.2 أسبوعية بواسطة مستخدم مُدرّب.

قم بتنظيف الأحواض الصغيرة باستخدام فرشاة جافة وقم بكشط البقايا من العجين التي يمكن أن تكون ملتصقة على اللباد، وذلك باستخدام مكشطة بلاستيكية.

قم بتنظيف الآلة من الخارج مرة على الأقل أسبوعياً، واغسل الهيكل كله باستخدام إسفنجة غير كاشطة أو بماء فاتر وصابون.

اشطف باستخدام إسفنجة غير كاشطة وجفف بعناية باستخدام قطعة قماش ناعمة وغير مويبة.

لا تغسل الآلة بالماء العزير مطلقاً.

8.3 شهرية بواسطة مستخدم مُدرّب.

مرر جهاز الشفط داخل الآلة للتخلص من تجمع العجين أو الدقيق على مسارات الجنزير وعلى الهيكل.
انفخ الجنزير من أجل التخلص من كل آثار الدقيق.

8.4 سنوية بمعرفة وكيل معتمد.

تأكد من شد الجنزير واضبطه

قم بتشحيم مفصلات الجنزير

قم بتشحيم جنزير الموتور.

انتبه، لا تستخدم زيتاً سميك القوام، ولا شحماً غير نباتي.

أثناء طلب قطعة غيار، تأكد مع الوكيل المعتمد بشأن القطعة المطلوبة على أساس كتالوج قطع الغيار الذي أصدره الصانع. حدد دائماً رقم الآلة كما هو مبين على لوحة البيانات. ويقوم الوكيل بعمل الطلبات لدى شركة JAC.

9.1 قائمة بالمستهلكات

النموذج	التوصيف الجدي	رمز الصنف
MB L/XL	TROUGH FELT	F201192
MB L/XL	MONOFILAMENT TROUGH, WHITE	F201112500
MB L/XL	MONOFILAMENT TROUGH, BLUE	F201112501
MB L/XL	TROUGH, ARCONET-T	F20119202
MB L/XL	TROUGH, WIDE FELT	F2011122
MB L/XL	MONOFILAMENT TROUGH, WIDE, WHITE	F201112600
MB L/XL	MONOFILAMENT TROUGH, WIDE, BLUE	F201112601
MB L/XL	TROUGH, WIDE, ARCONET-T	F201112202
MB S	TROUGH FELT	F2011117
MB S	MONOFILAMENT TROUGH, WHITE	F201112300
MB S	MONOFILAMENT TROUGH, BLUE	F201112301
MB S	TROUGH, ARCONET-T	F201111702
MB S	TROUGH, WIDE FELT	F2011120
MB S	MONOFILAMENT TROUGH, WIDE, BLUE	F201112401
MB S	TROUGH, WIDE, ARCONET-T	F201112002
MB S/L/XL	MOTOR DRIVE CHAIN	F2011042

10 الأحداث العارضة أثناء التشغيل

انتبه: قبل القيام بأية إصلاحات، يجب فصل التيار عن الآلة.

المشكلة	التحقق
الآلة لا تعمل	تحقق من توصيل الكهرياء تحقق من المرحل الحراري تأكد ما إذا كان زر الإيقاف في حالة الطوارئ لا يعمل تحقق أن زر التشغيل تم الضغط عليه
الموتور يصدر صوتًا لكنه لا يعمل	تحقق من التوصيل الكهربائي، ربما هناك فاقة كهرباء ناقصة
الآلة لا تتوقف أو تتوقف بسرعة بشكل عشوائي	تحقق أنه لا يوجد شيء يعرقل عمل نهاية المشوار الموجود في اللوحة العليا الجانبية من جهة اليمين
الجنزير يفتقر من مكانه ويطلق	تأكد من شد الجنزير تحقق من التشحيم الجيد تأكد من حالة التروس يجب سحب الصواميل الأربعة بمقاس M14 الموجودة أسفل الآلة
الأحواض الصغيرة ترتد	تأكد أن الأحواض الصغيرة ليست مشوهة تحقق أن الأشرطة اللاصقة فيلكرو غير منزوعة

إذا استمرت المشكلة بعد ذلك، فيرجى الاتصال بالفني.



11 تفرغ يدوي للأحواض الصغيرة

(fig.7)

انتبه: قبل القيام بأي تعامل، قم بإيقاف العام وافصل كابل الكهرباء.

في حالة انقطاع التيار الكهربائي أو أية مشكلات أخرى قد تعوق الموتور عن الدوران، يمكن تحريك غرفة تمدد قطع العجين يدويا:

A. اسحب غطاء الموتور وذلك بأن تفك البراغي الأربعة التي تثبته.

B. انزع الغطاء البلاستيكي الذي يحمي المحمل.

C. فك البرغي M8 في طرف عمود تخفيض السرعة.

D. لف صرّة الإعتاق.

E. أعد وضع البرغي M8 في طرف العمود دون تثبيته لإمساك كل الأجزاء.

F. قم بلف الآلة باستخدام المفتاح ذي السقاطة المبيع مع الجهاز بأن تضعه على الجزء السداسي الأجوف في عمود التحريك.

G. بعد الاستخدام، عشق من جديد الأجزاء الواصلة في الترتيب العكسي للنقاط (ج) و (د) و (هـ).

H. قم بتركيب غطاء الموتور.

12 قائمة بالمكونات الموجودة في الأشكال

الاسم	الرقم	شكل
لوحة الغلق UV	1	1
لوحة التدوير	2	
أزرار التحكم	3	
غطاء بلاستيكي	4	2
منطقة عمل	5	
زر انضغاطي لنقل الأحواض الصغيرة	6	3
مفتاح تشغيل بالقدم (اختياري)	7	
مقابس كهرباء	8	
إيقاف الطوارئ	9	8
زر اختيار الوضع UV	10	
زر انضغاطي لنقل الأحواض الصغيرة	11	
صورة توضيحية تشير إلى خطر الصعق بالكهرباء.	12	
الصندوق الكهربائي	13	

fig.1

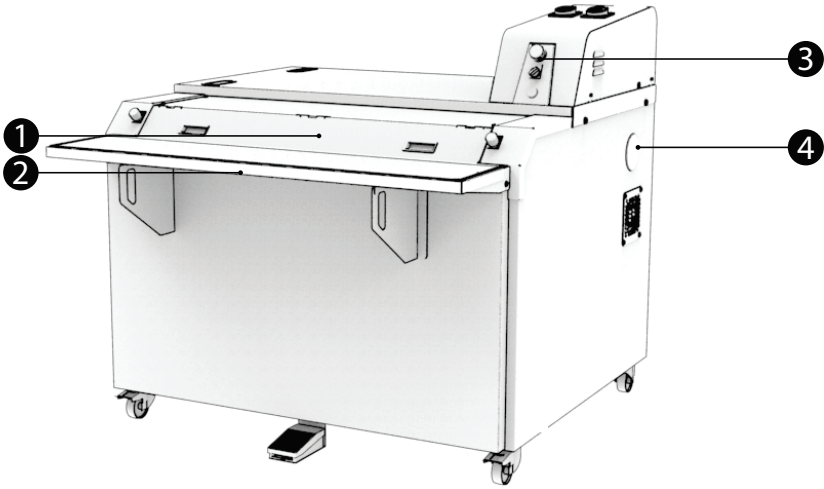


fig.2

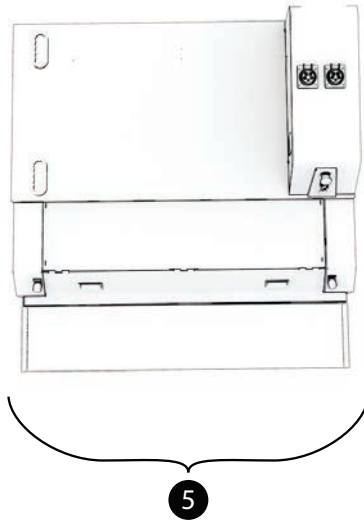


fig.3

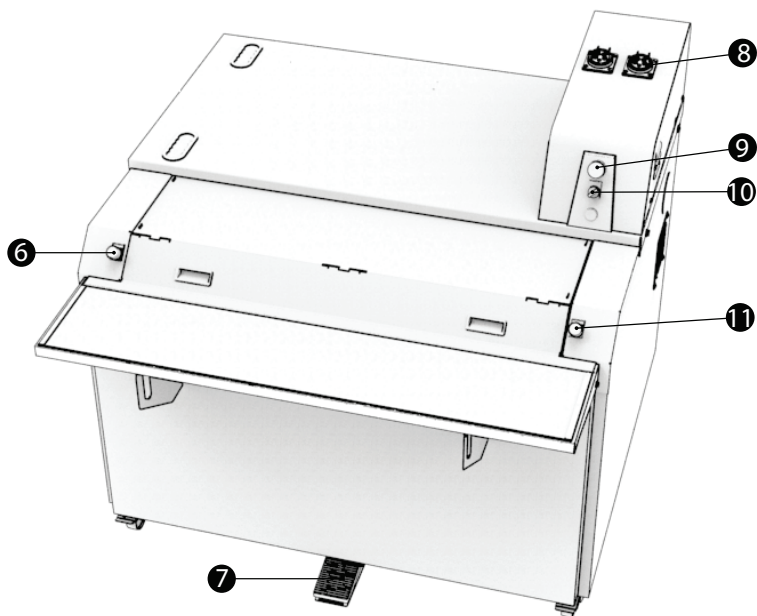


fig.4



fig.5



fig.6

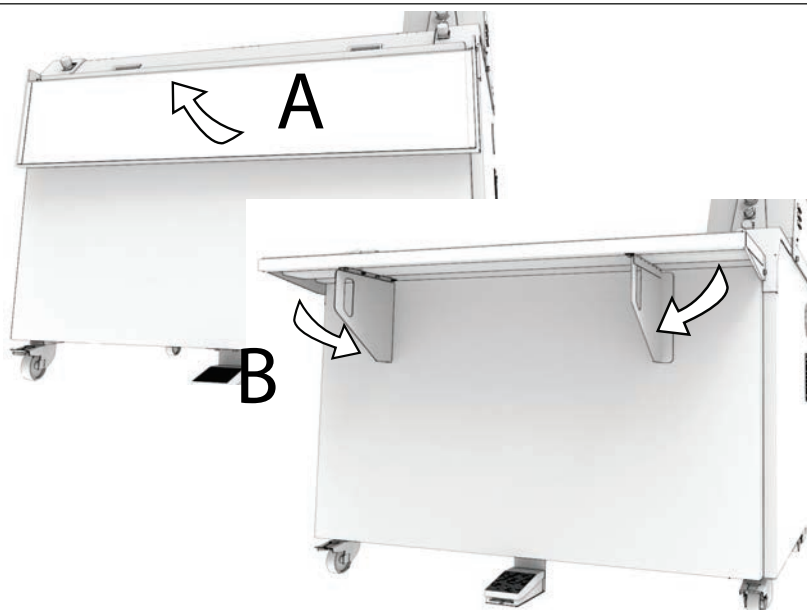


fig.7

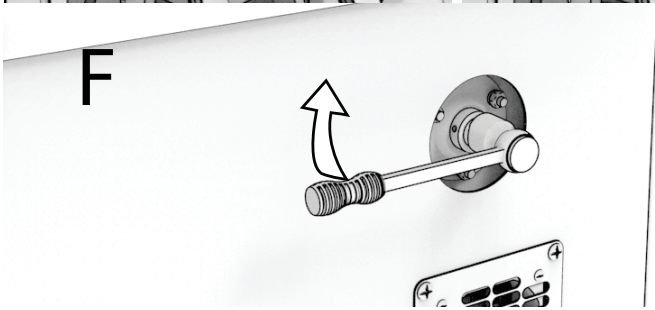
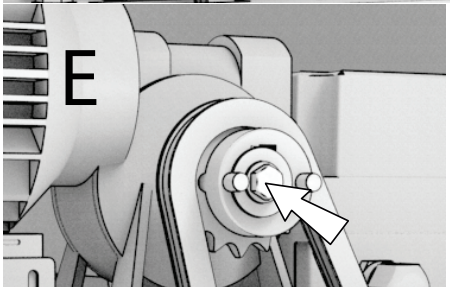
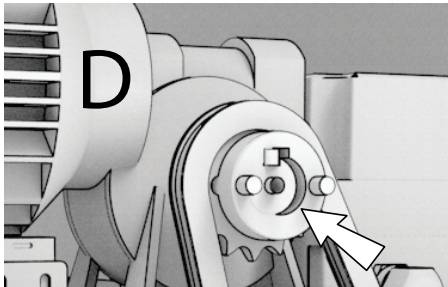
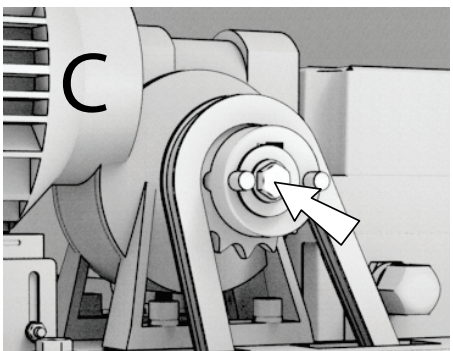
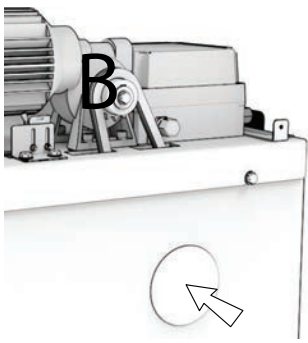
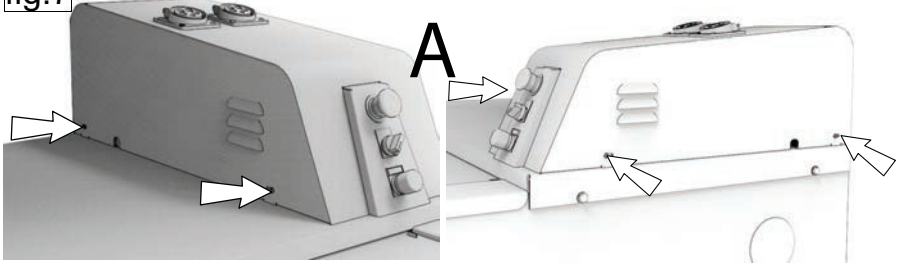
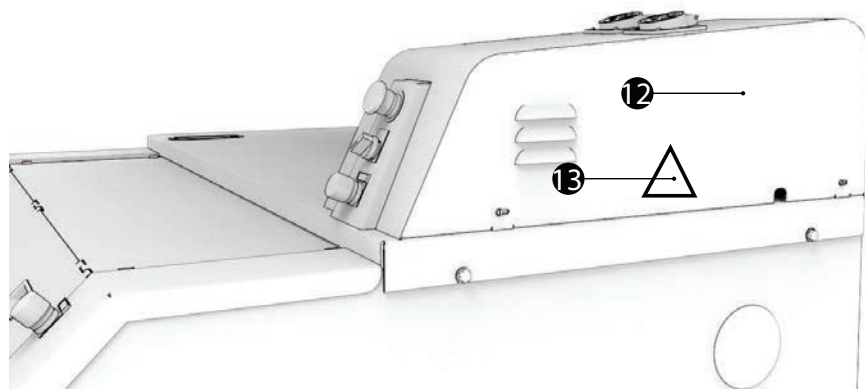


fig.8





Traditionally Innovative

CONFORMITY DECLARATION TO THE EUROPEAN DIRECTIVES.
DECLARATION DE CONFORMITE AUX DIRECTIVES EUROPEENNES.
KONFORMITÄTSEKTLÄRUNG AN DEN EUROPÄISCHEN RICHTLINIEN.
VERKLARING VAN OVEREENSTEMMING MET DE EUROPESE RICHTLIJNEN.
DICHIARAZIONE DI CONFORMITÀ ALLE DIRETTIVE EUROPEE.
DECLARACION DE CONFORMIDAD CON LAS DIRECTIVAS EUROPEAS.
ДЕКЛАРАЦИЯ СООТВЕТСТВИЯ ЕВРОПЕЙСКИМ ДИРЕКТИВАМ.
شهادة المطابقة مع التعليمات الأوروبية.



- EN** The undersigned declares that the machine complies with the European Directives 2006/42/CE, 2014/35/UE, 2014/30/UE.
- FR** Le soussigné déclare que cette machine est conforme aux directives européennes 2006/42/CE, 2014/35/UE, 2014/30/UE.
- DE** Unterzeichneter erklärt, daß diese Maschine den Europäischen Richtlinien 2006/42/CE, 2014/35/UE, 2014/30/UE entspricht.
- NL** Ik ondertekende verklaart dat deze machine in overeenstemming met de Europese richtlijnen 2006/42/CE, 2014/35/UE, 2014/30/UE.
- IT** Il sottoscritto dichiara questa macchina conforme alle ultime versioni delle seguenti direttive europee: 2006/42/CE, 2014/35/UE, 2014/30/UE.
- ES** El infrascrito declara que esta máquina es conforme con las directivas europeas 2006/42/CE, 2014/35/UE, 2014/30/UE.
- RU** Нижеподписавшееся лицо заявляет, что данное устройство соответствует европейским директивам 2006/42/CE, 2014/35/UE, 2014/30/UE.
- AR** मैं यहाँ पर CE/2006/42 و UE/2014/35 و UE/2014/30 के साथ मशीन की مطابقتها की घोषणा कर रहा हूँ।

Last update: 05/2018
Technical files compiled by:
Pierre-Yves Dorslmont
JAC S.A.
Chemin d'Éole, 2
B-4000 Sclessin
BELGIUM

Complies with the following (parts of)
European Harmonised Standards:
EN 1672-2
1935/2004
IEC 60204-1
EN ISO 12100-1
EN ISO 12100-2 §5, §6
EN 13954 if applicable
EN 61000-3-2, -3, -6-1, -6-3

Adrien Craeninx
Chief Executive Officer
JAC s.a.