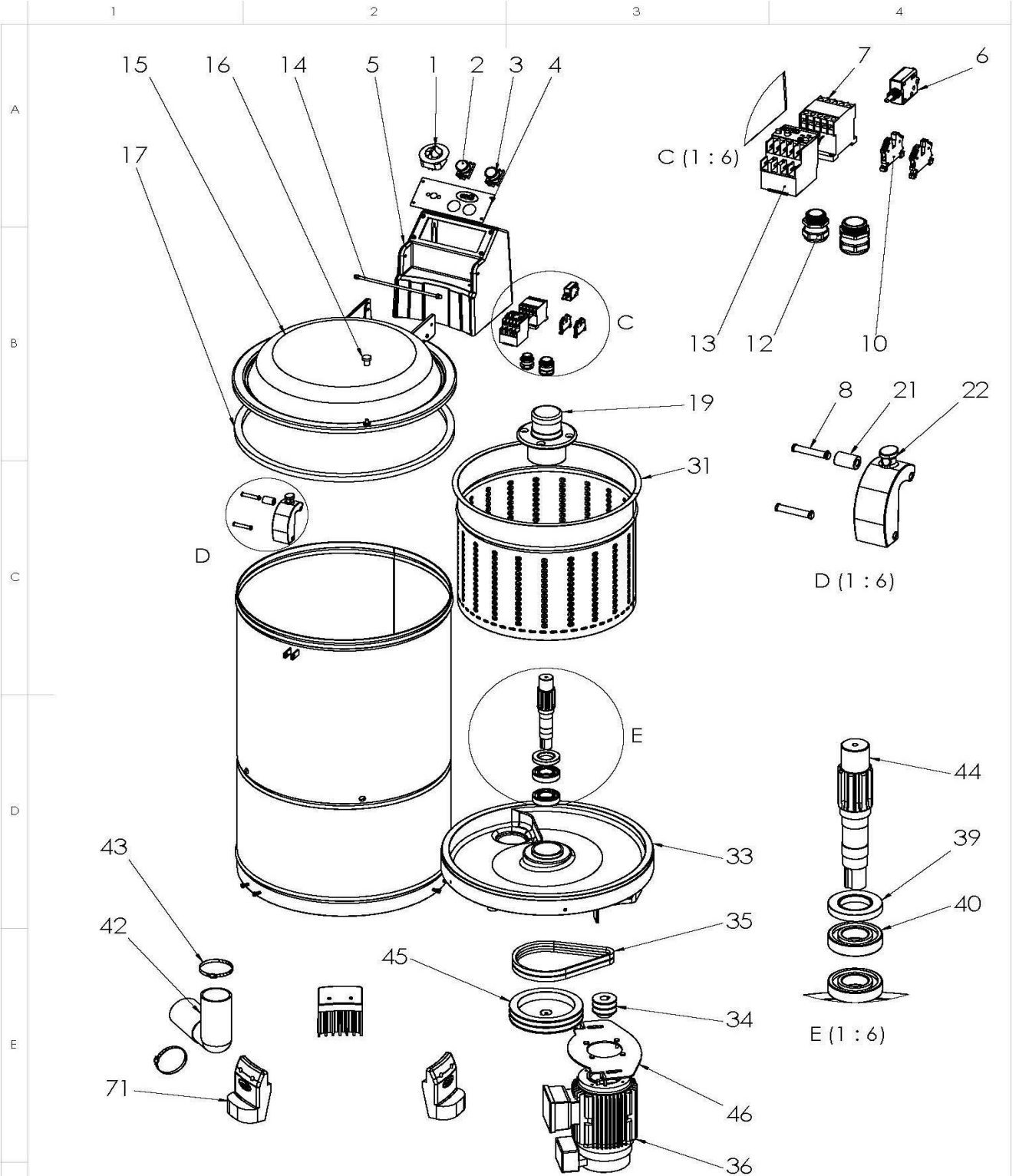




SPARE PART LIST

Spare Part ItemCode	Item name.	PictureId	Price.	Curr.
2KLP.460.04890055.9.01	MOTOR FIXING PLASTIC MIDDLE PART			
2KLP.460.00060213.9.01	COVER MOUNTING SHAFT FOR PSM10/20/30KG			
2KLP.460.10010047.9.01	SECURING PIN FOR PSM10-20-30KG (Q10x47)			
2840.40035.03	BOWL FOR OSY			
2840.40035.12	BOWL HANDLE FOR OSY			
2840.40035.15	PULLEY FOR OSY			
2840.40035.16	PULLEY FOR OSY			
2840.40035.01	PLASTIC TOP COVER FOR OSY			
2840.40035.09	PLASTIC CONTROL BOX FOR OSY			
6211.00240.06	BEARING 3206 2RS ORS			
2KLP.460.10020023.9.01	COVER HANDLE FOR PSM10-20-30KG Q20x23mm			
2840.40035.05	SEBZE KAPAK KILIT			
2KLP.460.20400026.9.01	DISTANCE PART OF BEARING FOR PSM20-30KG			
6228.00011.11	OIL SEAL 35*62*10			
2840.F0035.11	BOWL SHAFT FOR OSY			
2KLP.460.10018035.9.01	SECURING PULLEY FOR PSM10-20-30KG (Q18x35mm)			
6263.00001.27	V BELT 13*575 VARIBELT			
6261.00013.22	PLASTIC PART OF OSY BASE			
6261.00010.14	SEAL 15*17 FOR PSM COVER			
6606.00001.06	ZAMAN SAATI DUGMESI DIEL 4 DK			
6261.00013.20	DRAIN PIPE FOR PSM20-30			
6232.00010.32	BUTTON START AA31 SMCX	1		
6248.00009.00	TERMINAL STRIPS WGT-4 (EARTH)	10		
2840.00010.52	CONTROL PANEL LOWER PLATE FOR PSM10-20-30	11		
6259.00003.044	COUPLING PG16	12		
6233.00016.12	Overload 4 2,4-4A MOELLER,	13		
6259.00002.00	TIMER 0-4	2		
6232.00010.31	BUTTON STOP AA42 SMCX	3		
2840.00010.50	CONTROL PANEL PLATE FOR PSM10-20-30KG	4		
6221.00003.03	GALVANIZED HOSE CLAMP 70x90mm	43		
6232.00006.00	SWITCH	6		
6230.00014.12	MINI CONTACTOR DILEEM-10 XTMC6A10 3KW MOELLER	7		



F	R&D	İSİM	İMZA	TARİH	MATERIAL	TOLERANS	PARÇA ADI:	
	ÇİZEN	A.YILMAZ		08.02.2016		DIN 7168 ORTA	SALATA VE SEBZE KURUTMA MAKİNASI	
	KONTROL	M.HACI		08.02.2016				
	ONAY	M.HACI		08.02.2016				
RESİM ÜZERİNDEN ÖLÇÜ ALMAYINIZ!		ÖLÇÜLER mm CİNSİNDEN DİR		AĞIRLIK (gr.)	43563.18	ÖLÇEK	1:12	
							T.RESİM NO	0840.40035.01

öztiryakiler