



Catalogue
FOOD SERVICE
Chapter
COOKING

Specific model
BM-E710 400V 3N

19071800

04/09/2023

DENOMINATION:

Electric bain marie, 1 module, 700 range.

DESCRIPTION :

- "- Surface tops manufactured in 1.5 mm thick AISI-304 stainless steel.
- Laser-cut joints, automatic welding and polishing. Hidden screws.
- AISI-304 stainless steel wells built into the surface top.
- Gravity drainage: simple well drainage through removal of the overflow pipe.
- Thermostatic temperature control of the water, between 30 and 90 °C.
- Controls with a protective support base and system to prevent water infiltration (IPX5 protection)."
- Wells that can be used with different types of Gastronorm containers of different sizes, 150 mm high, and with the dimensions NG-2/1, with 30 litre capacity.
- "- AISI 304 stainless steel heating elements located outside the well.
- Safety thermostat."

POSSIBLE OPTIONS :

- 230 1N- Transformation A 230 V single phase
- 230 III - A 230 V three-phase transformation without neutral
- MARINE - Other machines - Ship transformation - 440 III

POSSIBLE ACCESSORIES :

- FOOD SERVICE
- ACCESSORIES KORE
- STANDS 700
- FRY-TOP ACCESSORIES KORE
- TALL CHIMNEY KORE

SUPPLIED ACCESSORIES:

- 12134113 Cuvette separator BM9-10 2

DIMENSIONS



X Width	800 mm	X Gross width	840 mm
Y Depth	730 mm	Y Gross depth	822 mm
Z Height	290 mm	Z Gross height	535 mm
Net Weight	32,0 kg	Gross Weight	50,0 kg
Net volume	0,170 m3	Gross volume	0,369 m3

ELECTRICITY TECHNICAL SPECIFICATIONS

Electric power	6,000 kW
Amperage (A)	8,7A
Heating power	6,00 kW
Voltage	400V - 3N
Electric frequency	50/60Hz

CONNECTIONS TECHNICAL SPECIFICATIONS

230 V three-phase wiring	3X2,5MM2+T
Single-phase 230V wiring	2X4MM2+T
Three-phase +N 400V wiring	3X1,5MM2+T+N
Drain 1 diameter	3/4"



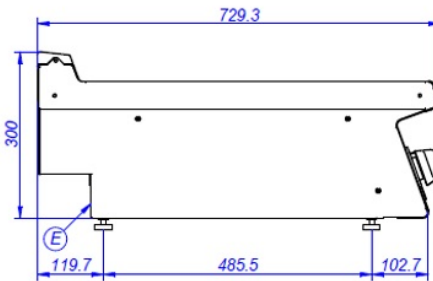
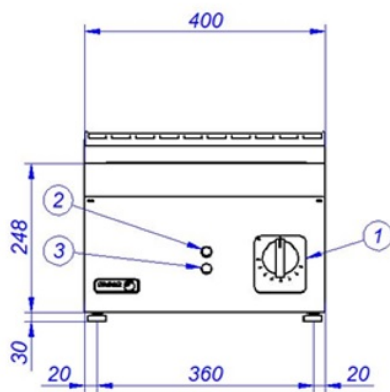
Catalogue
FOOD SERVICE
Chapter
COOKING

Specific model
BM-E710 400V 3N

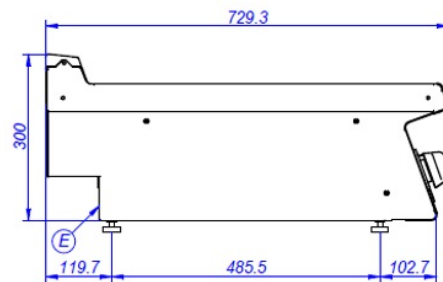
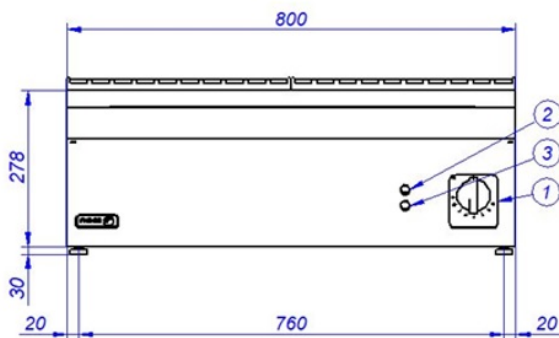
19071800

04/09/2023

BM-E705



BM-E710



E – Conexión eléctrica
1 – Mando eléctrico
2 – Piloto verde
3 – Piloto ámbar

Electrical connection
Electric control
Green pilot
Ambar pilot

Connexion électrique
Commande électrique
Lumière verte
Lumière ambre