



**TM 450**

# LIST OF THE EXPLODED VIEWS

*2° version - From s/n. 658903*



*1° version - Till s/n. 658902*



**SHELL ASSY**

**SHELL ASSY**

**COOLING SYSTEM**

**COOLING SYSTEM**

**EVAPORATOR**

**EVAPORATOR**

**HYDRAULIC CIRCUIT**

**HYDRAULIC CIRCUIT**

**ELECTRIC PARTS**

**ELECTRIC PARTS**

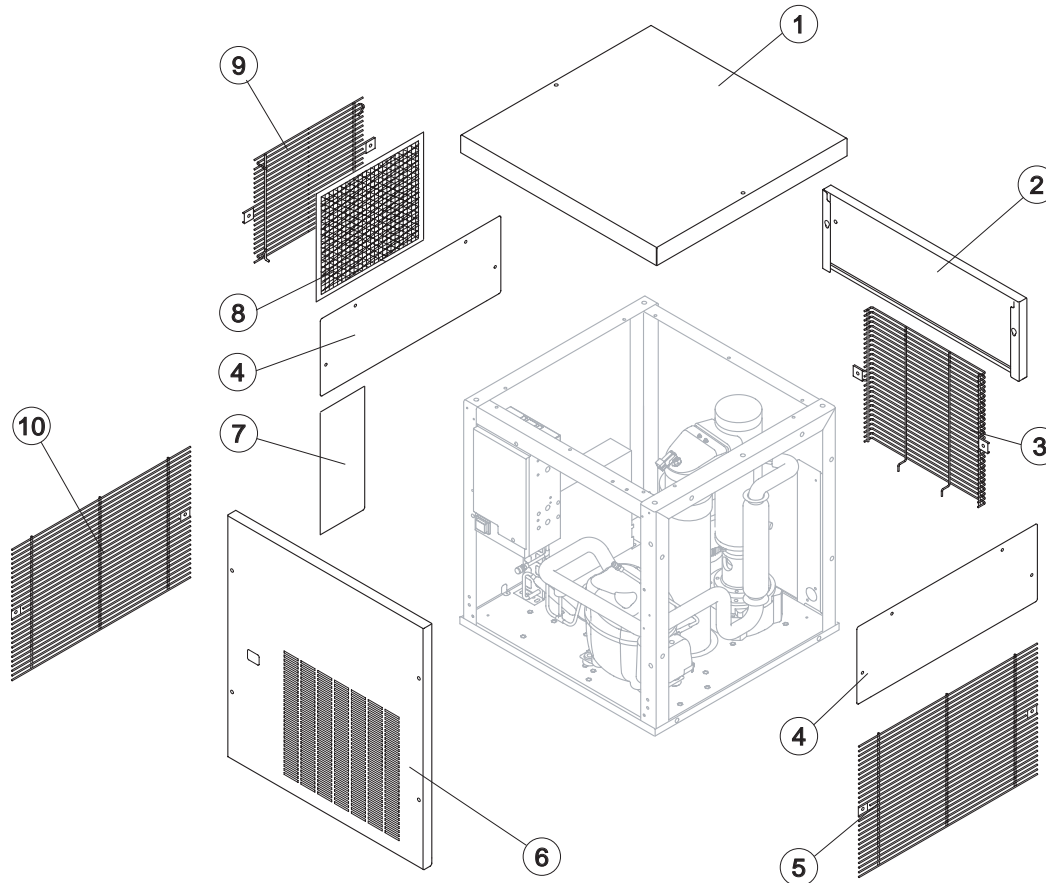
Rev. 6 - 04/03/2014



# TM 450

2° Version From s/n. 658903

# SHELL ASSY



Rev. 6 - 04/03/2014

### Common Parts

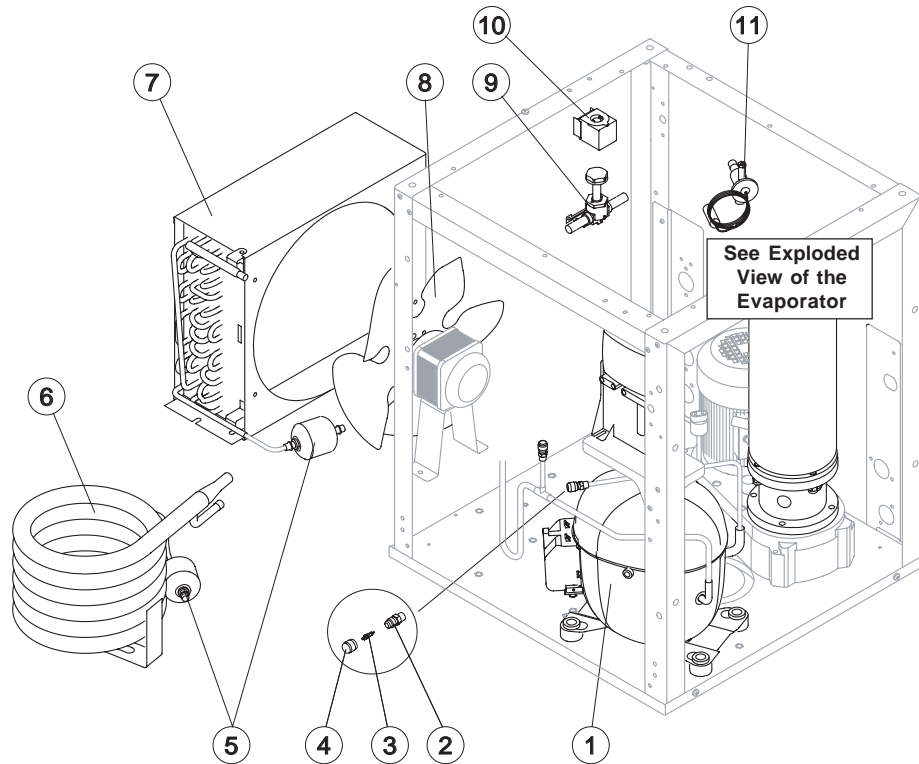
Ref.	Spare Description	Code
1	Top	221518
2	Back Panel	221513
3	Back Grill	D12091
4	Right/Left Side Panel	221515
5	Right Side Grill	D12092
6	Front Panel	221511

### Parts for Air-Cooled Version Only

Ref.	Spare Description	Code
7	Lower Left Side Panel	221517
8*	Filter	18246
9	Left Side Grill	D12093

### Parts for Water-Cooled Version Only

Ref.	Spare Description	Code
10	Left Side Grill	D12092



Rev. 6 - 04/03/2014

### Common Parts

Ref.	Spare Description	Code
1	Compressor	See Table
2	Vacuum-Charge Valve Body	14007
3*	Vacuum-Charge Valve Device	14005
4*	Vacuum-Charge Valve Plug	14006
5*	Solid Core Drier	14084
9	Hot Gas Valve Body	20409
10	Hot Gas Valve Coil	23091
11	Expansion Valve	201004

### Parts for Air-Cooled Version Only

Ref.	Spare Description	Code
7	Air Condenser	20675
8	Sucking Fan	20407

### Parts for Water-Cooled Version Only

Ref.	Spare Description	Code
6	Water Condenser	14678

### Rif. 1 - Compressor

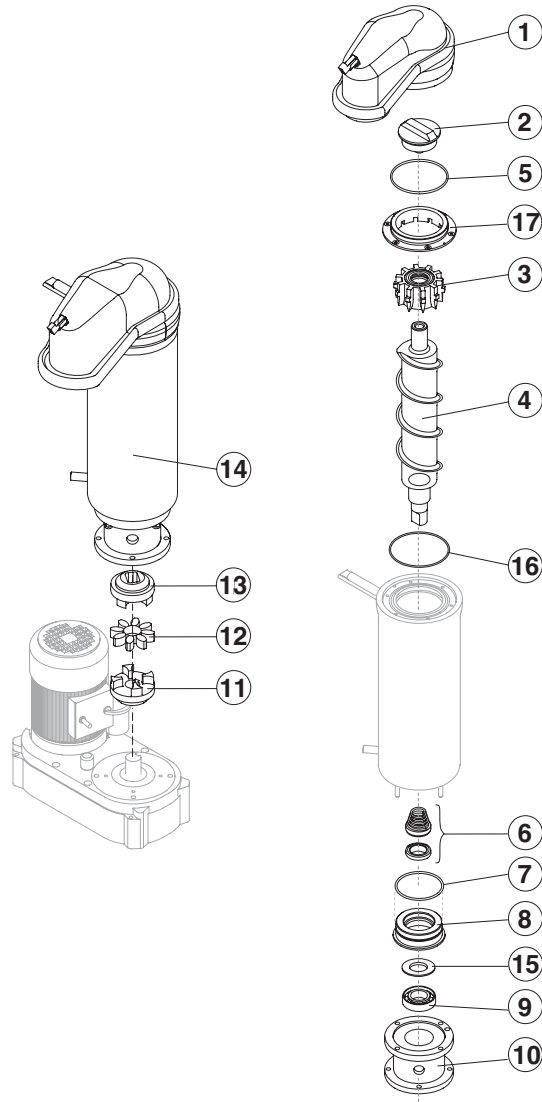
Voltage	Code
T11	23984
T12	23982



# TM 450

2° Version From s/n. 658903

# EVAPORATOR



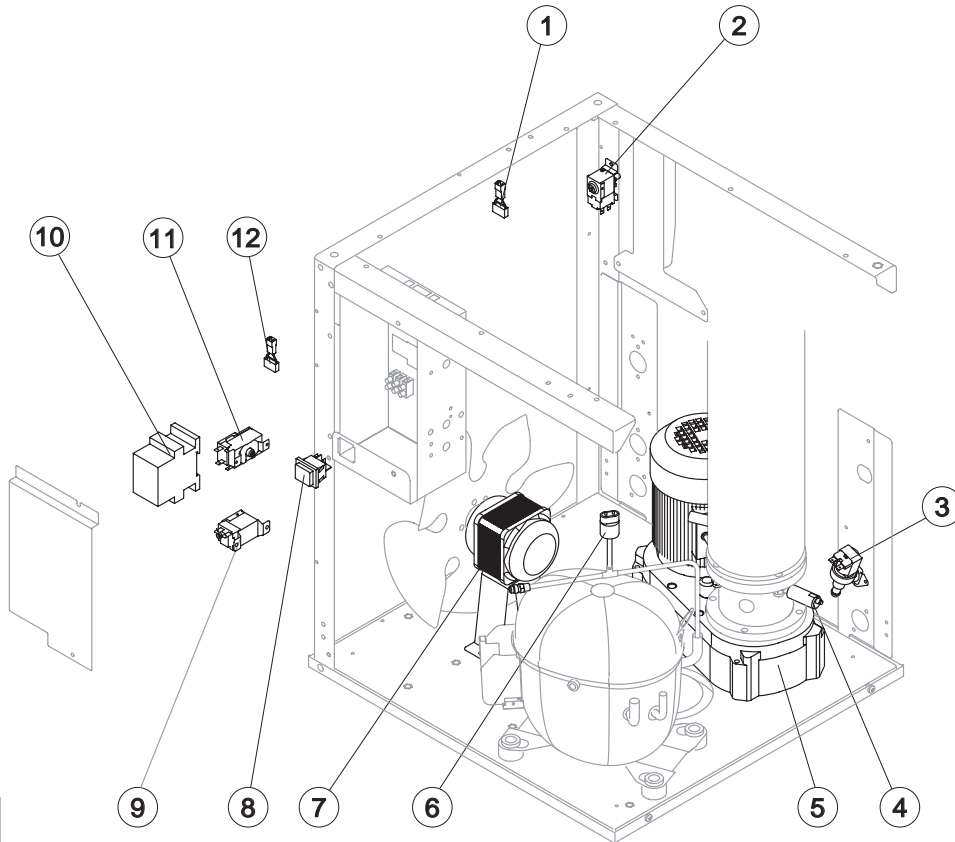
Ref.	Spare Description	Code
1	Ice Exhaust with Micro Assy	C11169
2	Ice Breaker	20948
3	Extruder with bearings	C201013
4	Auger	201015
5	OR Gasket 4400	20955
6	Ceramic Seal	20643
7	OR Gasket 4312 NBR70	20205
8	Reduction Ring	201016
9	Bearing	201017
10	Flange	20644
11	Lower Joint	D20493
12	Elastomer	20494
13	Upper Joint	D20642
14	Evaporator Assy	C11171
15	Nilos Ring	201018
16	OR Gasket 3425	201019
17	Extruder cover	201014



# TM 450

2° Version From s/n. 658903

## HYDRAULIC CIRCUIT



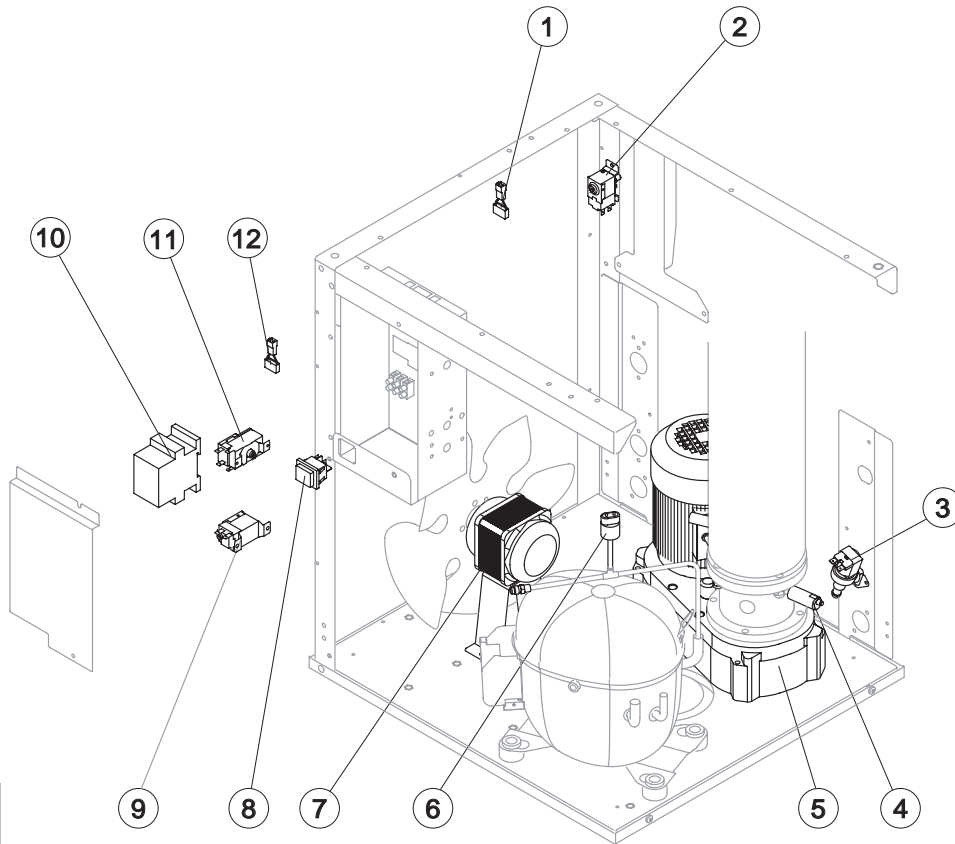
### Common Parts

Ref.	Spare Description	Code
1	Microswitch	23055
2	Double Switch Basin	10700
3*	Double Switch Basin Assembly	C10686
6	Discharges Manifold	10579
7	Ice Outlet Pipe with Bin bulbo holder	C10657
8	Locking Exhaust Strip	25049
9*	Ice Exhaust Assy with Micro	C10585

### Parts for Water-Cooled Version Only

Ref.	Spare Description	Code
4	Water regulating valve assembly	C20967
5	Drain manifold	20984

Rev. 6 - 04/03/2014



### Common Parts

Ref.	Spare Description	Code
1	Anti Radio Interference Filter	T11 C23457
2	Safety Pressure Switch	23342
3*	1 Way- Water Inlet Valve	23115
4	Rotation Sensor	R231028
5	Gearmotor	23638
6	Low pressure safety switch	23909
8*	Green Light Switch (On-Off)	23327
10	Contactors	See Table
11*	Bin Thermostat	R231035

### Parts for Air-Cooled Version Only

Ref.	Spare Description	Code
7*	Fan Motor	23121
9*	Pressostato Condensatore	23175
12	Condenser Pressure Switch	T11 C23459

### Rif. 10\* - Contactor

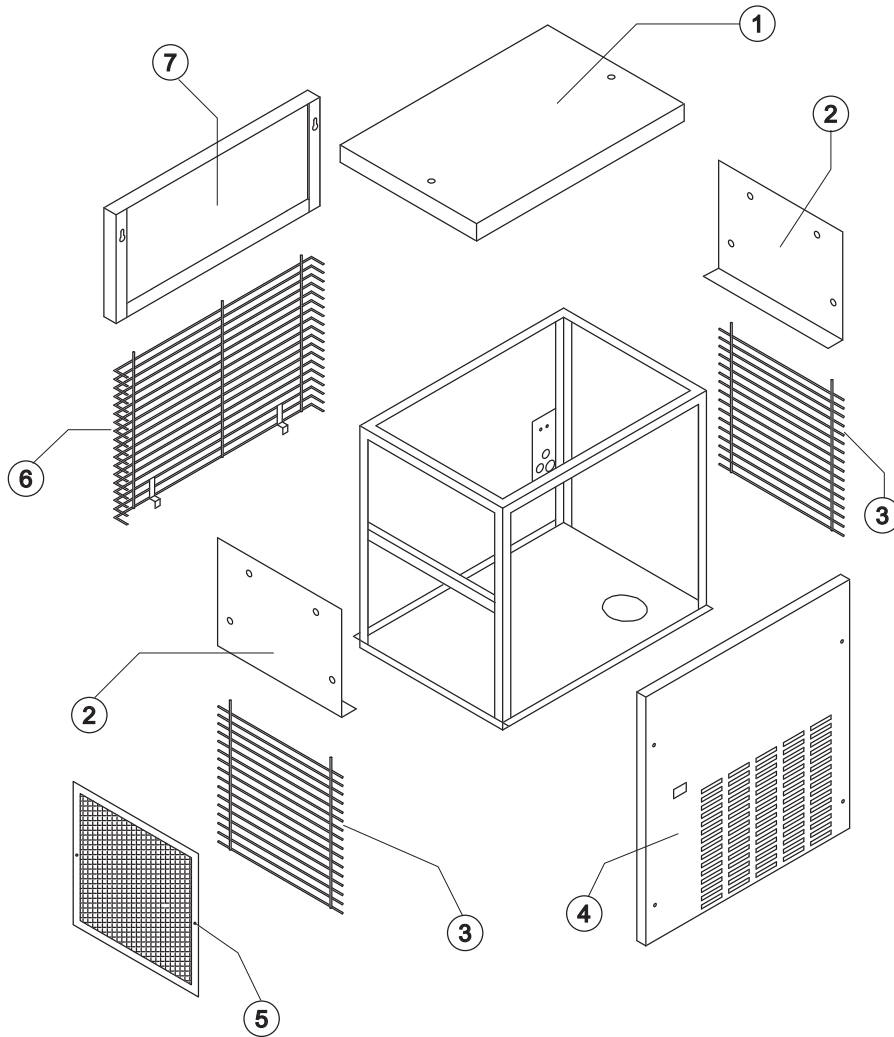
Voltage	Code
T11	23147
T12	23963



# TM 450

1° Version Till s/n. 658902

## SHELL ASSY



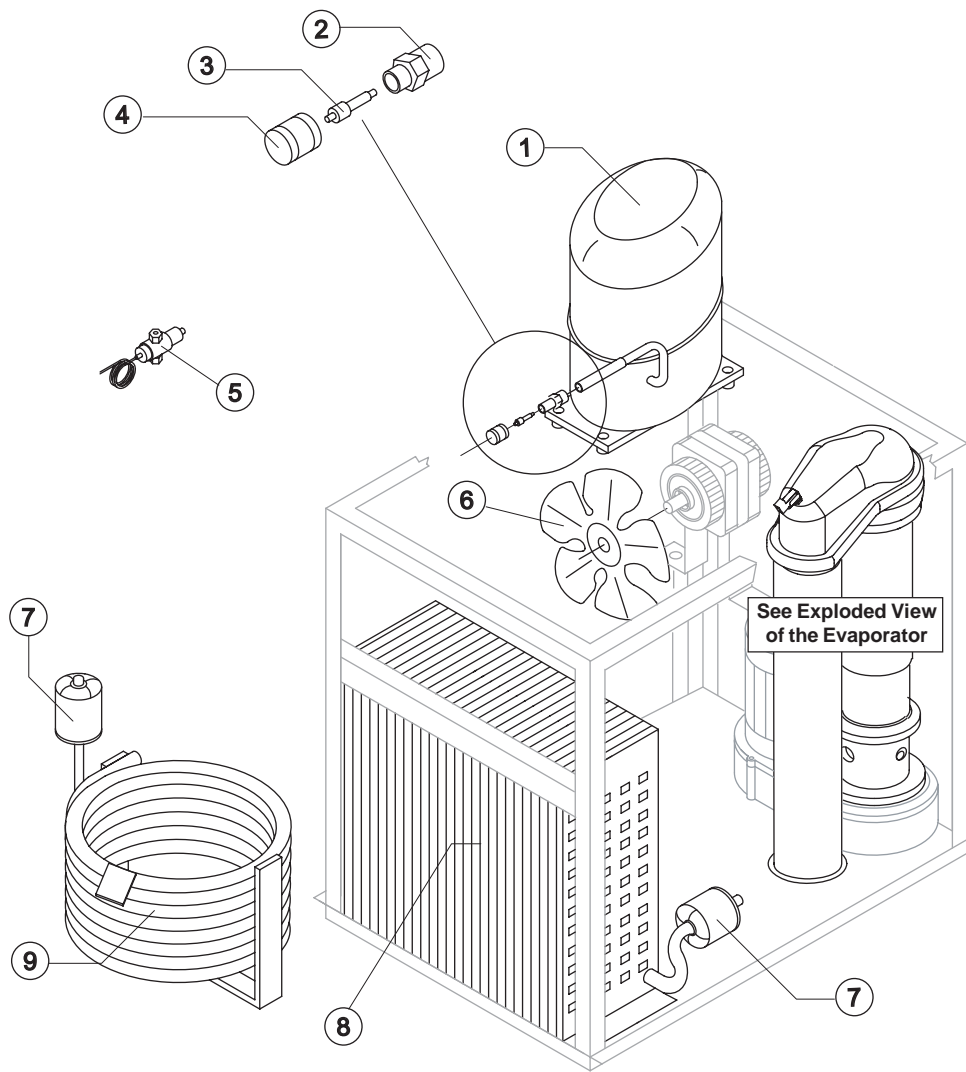
### Common Parts

Ref.	Spare Description	Code
1	Top	221122
2	Right/Left Side Panel	22663
3	Lateral Grid	D12061
4	Front Panel Assembly	221138
6	Rear Grid	D12060
7	Rear Panel	22665

### Parts for Air-Cooled Version Only

Ref.	Spare Description	Code
5*	Filter	18163

Rev. 6 - 04/03/2014



Rev. 6 - 04/03/2014

### Common Parts

Ref.	Spare Description	Code
1	Compressor	See Table
2	Vacuum-Charge Valve Body	14007
3*	Vacuum-Charge Valve Device	14005
4*	Vacuum-Charge Valve Plug	14006
7*	Solid Core Drier	14084

### Parts for Air-Cooled Version Only

Ref.	Spare Description	Code
6	Sucking Fan	20407
8	Air Condenser	20675

### Parts for Water-Cooled Version Only

Ref.	Spare Description	Code
5	Pressostatic Valve	20210
6	Sucking Fan	10213
9	Water Condenser	14507

### Ref. 1 - Compressor

Voltage	Code
T11	23984
T15	23999





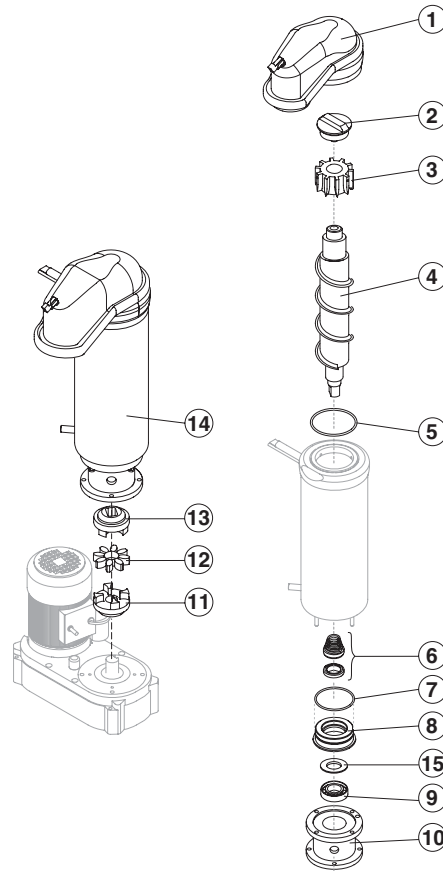
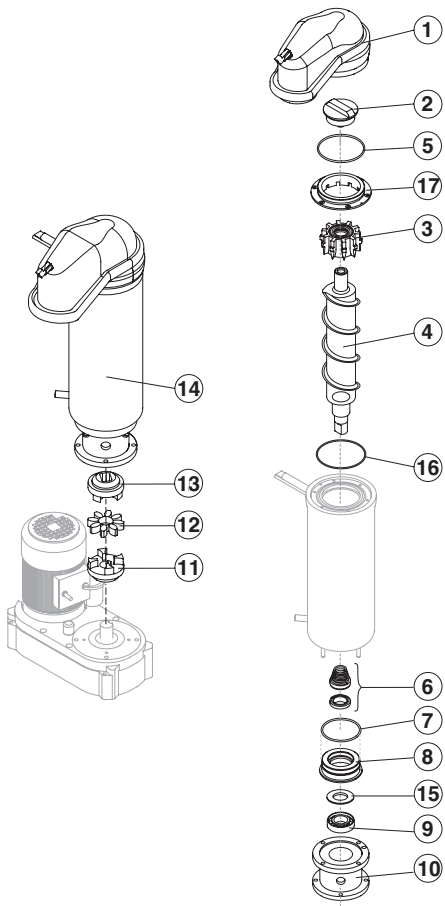
# TM 450

1° Version Till s/n. 658902

# EVAPORATOR

Current Version

Till s/n. 585283

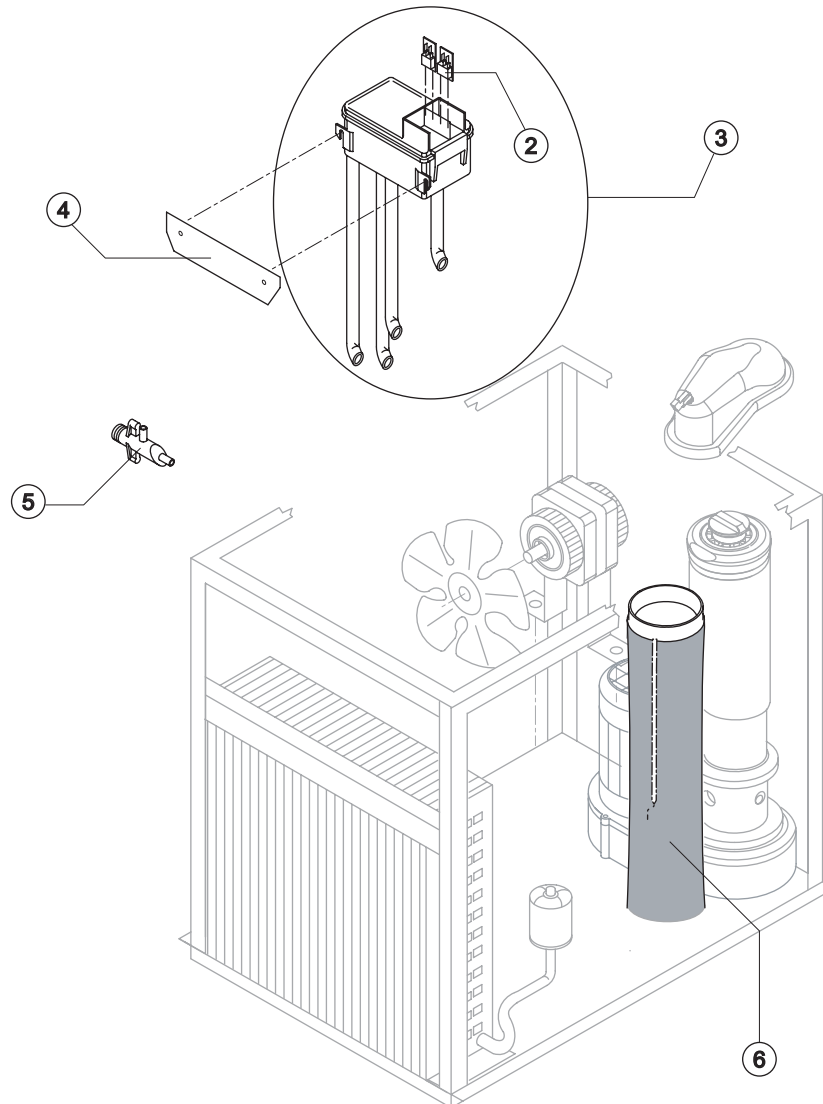


Ref.	Spare Description (Current Version)	Code
1	Ice Exhaust with Micro Assy	C11169
2	Ice Breaker	20948
3	Extruder with bearings	C201013
4	Auger	201015
5	OR Gasket 4400	20955
6	Ceramic Seal	20643
7	OR Gasket 4312 NBR70	20205
8	Reduction Ring	201016
9	Bearing	201017
10	Flange	20644
11	Lower Joint	D20493
12	Elastomer	20494
13	Upper Joint	D20642
14	Evaporator Assy	C11171
15	Nilos Ring	201018
16	OR Gasket 3425	201019
17	Extruder cover	201014

Ref.	Spare Description (Till s/n. 585283)	Code
1	Ice Exhaust with Micro Assy	C11163
2	Ice Breaker	20948
3	Extruder with bushing	C20949
4	Auger	20947
5	OR Gasket 4400	20955
6	Ceramic Seal	20643
7	OR Gasket 4312 NBR70	20205
8	Reduction Ring	20647
9	Bearing	20954
10	Flange	20644
11	Lower Joint	D20493
12	Elastomer	20494
13	Upper Joint	D20642
14	Evaporator Assy	C11160
15	Nilos Ring	20996

From s/n. 519637

Rev. 6 - 04/03/2014



Rev. 6 - 04/03/2014

### Common Parts

Ref.	Spare Description	Code	
1	Double Switch Basin	10145	
2	Microswitch	23055	
3*	Double Switch Basin Assembly	C10314	
4	Basin Support Plate	21133	
6	Ice Outlet Pipe Assy	Current Version	C10620
6	Ice Outlet Pipe Assy	Till s/n. 606127	C10592

### Parts for Air-Cooled Version Only

Ref.	Spare Description	Code
5	Discharges Manifold	10579

### Parts for Water-Cooled Version Only

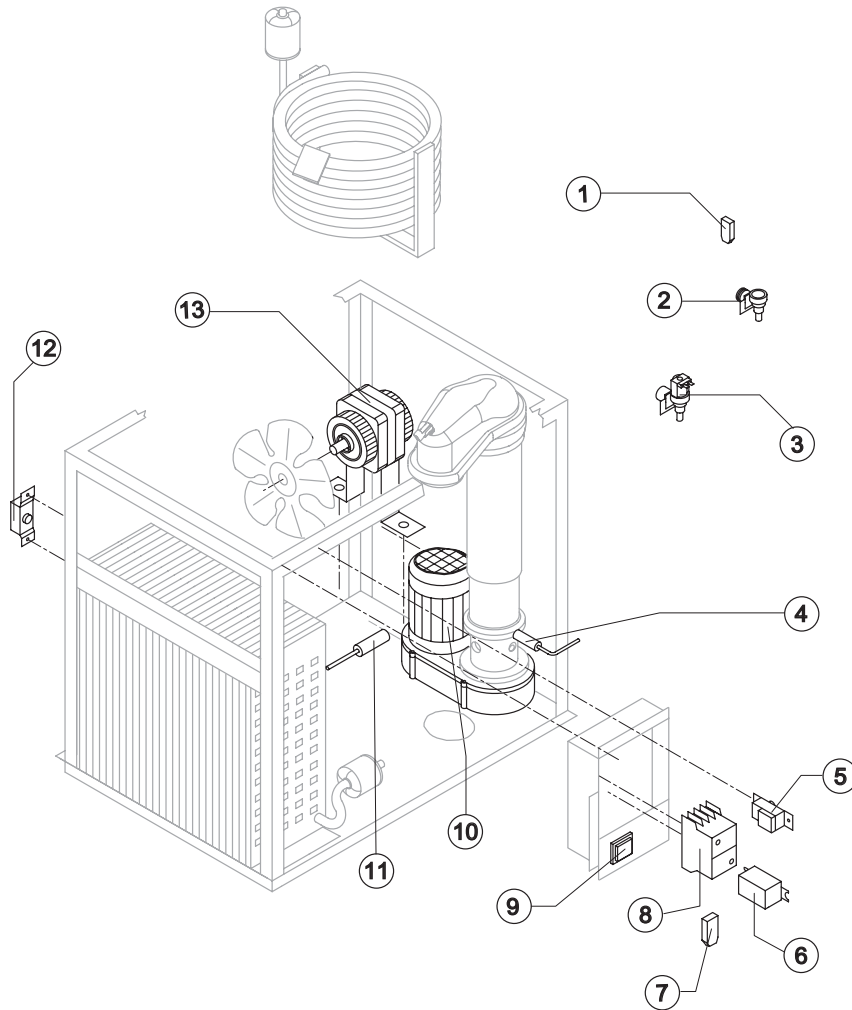
Ref.	Spare Description	Code
5	Discharges Manifold	C10053



# TM 450

1° Version Till s/n. 658902

## ELECTRIC PARTS



### Common Parts

Ref.	Spare Description	Code
1	Anti Radio Interference Filter	C23457
3*	1 Way- Water Inlet Valve	23115
4*	Rotation Sensor	R231028
5*	Bin Thermostat	Current Version
5*	Bin Thermostat	Till s/n. 606127
8*	Contactor	23147
9*	Green Light Switch (On-Off)	23327
10	Gearmotor	23638
11	Low pressure safety switch	23909
12	Safety Pressure Switch	23342

### Parts for Air-Cooled Version Only

Ref.	Spare Description	Code
6*	Condenser Pressure Switch	23175
7	Anti Radio Interference Filter	C23459
13*	Fan Motor	23121

### Parts for Water-Cooled Version Only

Ref.	Spare Description	Code
2*	1 Way- Water Inlet Nipple	10368
13*	Fan Motor	23029

Rev. 6 - 04/03/2014