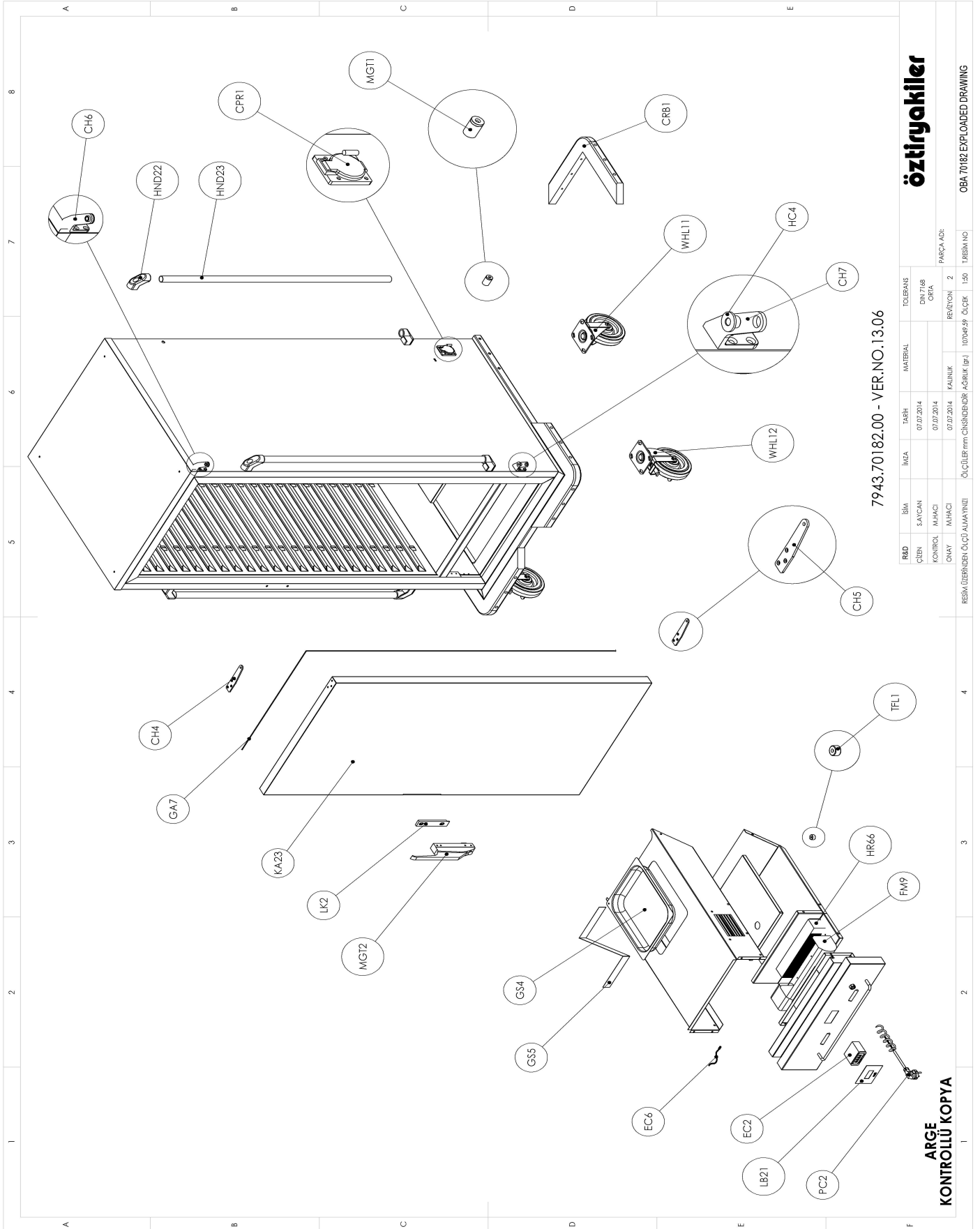




SPARE PART LIST

| Spare Part ItemCode | Item name. | PictureId | Price. | Curr. |
|------------------------|---------------------------------------------------------|-----------|--------|-------|
| 6201.00030.62 | DOOR TOP HINGE | CH4 | | |
| 6201.00030.63 | DOOR BOTTOM HINGE | CH5 | | |
| 6201.00030.60 | TOP HINGE | CH7 | | |
| 6255.00001.02 | SOCKET FOR FIXING THE PLUG OF THE SUPPLY CABLE | CPR1 | | |
| 6260.00005.01 | CORNER PROTECTOR | CRB1 | | |
| 6234.00009.49 | CONTROLLER DIGITAL EVCO EV3B22N7 2 OUTPUT | EC2 | | |
| 6234.00009.08 | DIGITAL SENSOR EVCO NTC PROP EVTPN615F200 | EC6 | | |
| 6252.00015.15 | FAN MOTOR RADIAL TFR 270/35-3RNF HT BBBLV 230V/50-60 HZ | FM11 | | |
| 6268.00012.22 | MAGNETIC SEAL 573*1358MM | GA7 | | |
| 0311.12040.10 | GASTRONORM CONTAINER, GN 1/2-40 | GS4 | | |
| 2KLP.460.620100030.40 | KALIPHANE UR- MENTESE BURCU PLASTIK BANKET | HC4 | | |
| 6262.00022.10 | PLASTIC SUPPORT PART FOR HANDLE | HND22 | | |
| 2EKO.M01.YM013 | PIPE HANDLE 25 | HND23 | | |
| 6246.00027.05 | HEATER 2000W | HR66 | | |
| 2943.70182.KA01.00 | 70182 BANKET INOX KAPI (430) | KA23 | | |
| 6201.00031.14 | LOCK FITTIG PART | LK2 | | |
| 6232.00004.15 | MAGNET Q25*5*5 NEODIUM | MGT1 | | |
| 6201.00031.13 | MAGNETIC LOCK | MGT2 | | |
| 6257.00009.20 | SPIRAL CABLE 3*1,5 | PC2 | | |
| 2KLP.460.00250016.9.01 | TEFLON FOOT | TFL1 | | |
| 6270.00150.22 | WHEEL 3302 MTB | WHL11 | | |
| 6270.00150.21 | CASTOR 3302 MTB F-18 | WHL12 | | |



öztiyakiler

OBA 70182 EXPLODED DRAWING