

WARING
COMMERCIAL®



**Variable Speed Control
from 5K to 13K RPM**



**Battery Charging/Docking
Station with Quick-Charging Circuit**



**Storage/Transport
Case Included**



CORDLESS
BOLT[®]
LITHIUM

IMMERSION BLENDER

- Cordless – Rechargeable – Powerful
- Brushless DC Motor
- 10.8-Volt Lithium Ion Battery Pack for Extended Life and Runtime
- Variable Speed from 5K to 13K RPM
- 7" Removable, Dishwasher-Safe Blending Shaft
- Battery Charging/Docking Station with 1.5-Hour Quick-Charging Circuit
- LED Indicator Lights for Speeds and Power Status
- Ergonomic Housing Design
- Storage/Transport Case Included
- Limited One-Year Motor Warranty

WSB38X



CORDLESS BOLT[®] LITHIUM

CORDLESS IMMERSION BLENDER

10.8-Volt Lithium Ion Battery Pack for Extended Life and Runtime

Power Button

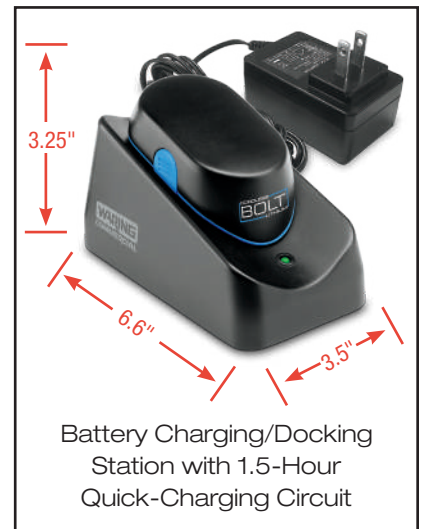
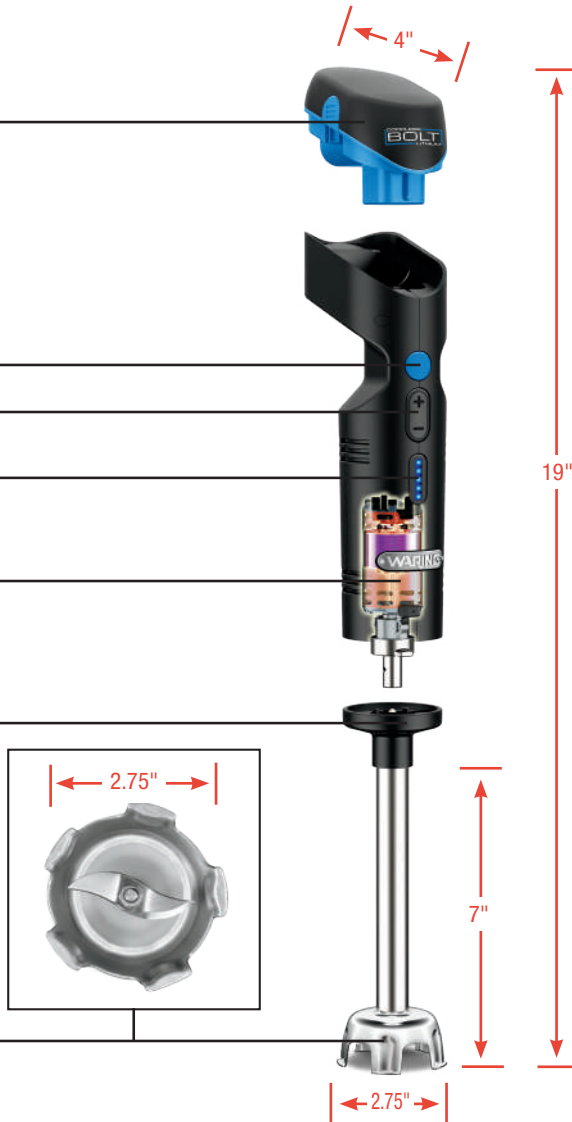
Speed Control (+ and -)

LED Indicator Lights for Speeds and Power Status

Brushless DC Motor Built for High Efficiency and Long Motor Life

7" Removable, Dishwasher-Safe Blending Shaft

Stainless Steel Blade



ITEM	ELECTRICAL	LISTINGS	OUT OF BOX WEIGHT	OUT OF BOX DIMENSIONS L x W x H	WARRANTY
WSB38X BOLT [®]	10.8-V Lithium Ion Battery 50/60Hz, .5A	cETLus, ETL Sanitation	2 lb.	4" x 2.75" x 19"	Limited One-Year Motor

ORDERING INFO INFORMATION	#STD. PKG.	GIFTBOX WEIGHT	CUBIC FEET	BOX DIMENSIONS L x W x H	UPC	CASE PKG.	MC WEIGHT	MC DIMENSIONS L x W x H	MBC
WSB38X- Cordless Immersion Blender	1	4.25 lb.	.4	9.75" x 5" x 15.625"	040072072154	4	20.4 lb.	16.75" x 11.125" x 21.875"	00040072072147

ITEM	DESCRIPTION	UPC
WSB38XST	7" Stainless Steel Shaft	040072075889
WSB38XBP	Battery Pack	040072075872
WSB38XCS	1.5-Hour Quick-Charging Station	040072075865
WSB38XSC	Storage/Carrying Case	040072075858



@waringcommercial

waringcommercialproducts.com

©2018 Waring Commercial
314 Ella T. Grasso Avenue, Torrington, CT 06790
Tel. 800-492-7464

18WC051922