



WeChat
公众微信号



Official Website
官方网站



Catalogue PDF
样本PDF版



AUTOMATIC CONTINUOUS BAND SEALER 连续自动封口机



华联机械集团有限公司

地址：温州市高翔工业区大维路2号

邮编：325006

电话：0577-89989999（总机）

传真：0577-89989966

E-mail: hualian@hualian.biz

国内销售

电话：0577-89989981 89989982 89989983 89989956

传真：0577-89989968

E-mail: sales@hualian.biz

华联机械集团温州进出口有限公司

HUALIAN MACHINERY GROUP WENZHOU IMPORT&EXPORT CO.,LTD

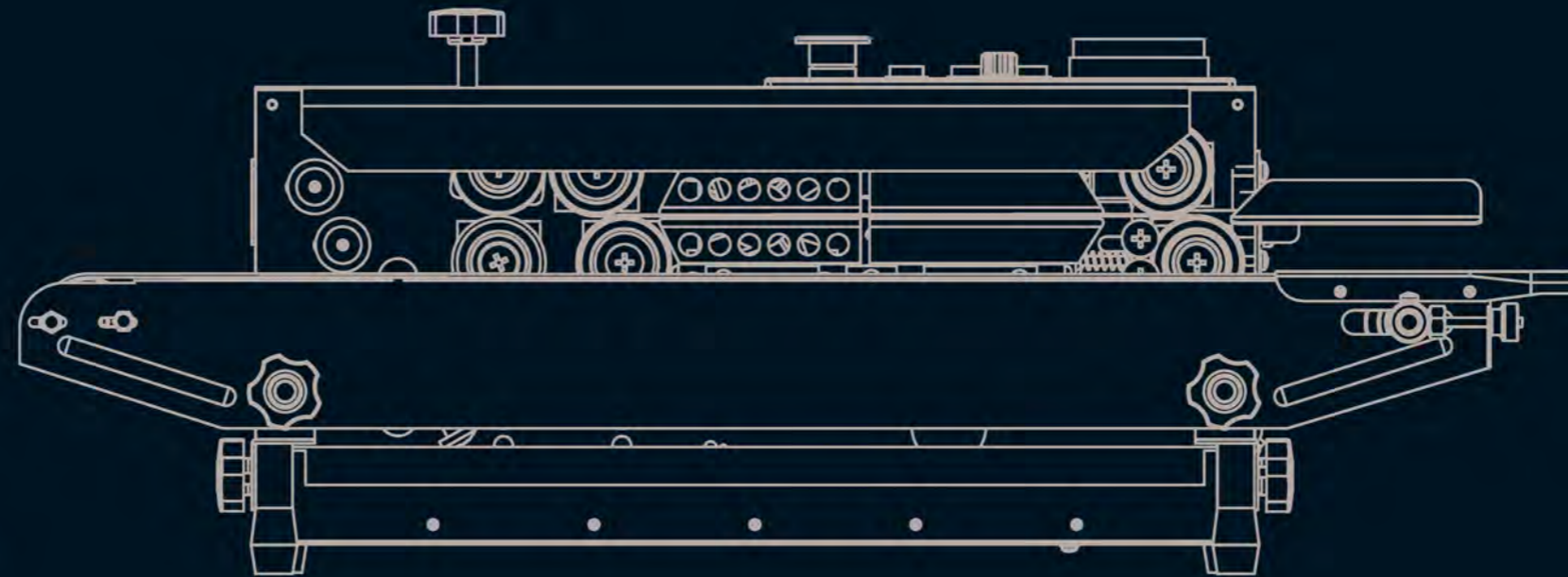
地址：温州市高翔工业区大维路2号

Add: No.2 Dawei Road, Gaoxiang Industrial Park, Wenzhou, China

P.C.: 325006

Tel: +86-577-88627766 88627768 88608008

E-mail: hl@hualian.biz hl@hualianmachinery.com



版权所有 翻版必究 (2023.11)

华联机械集团
HUALIAN MACHINERY GROUP



Intelligent Packaging Integrated Solution System Provider
智能包装整体解决方案系统服务商



Intelligent Packaging Integrated Solution System Provider
智能包装整体解决方案系统服务商



COMPANY PROFILE 公司简介

华联机械集团创建于1989年，是经国家工商总局核准成立的无区域企业集团。集团以包装机械为主业，以智能化后道包装系统的研发制造、销售服务为核心业务，是面向全球市场的包装机械供应商。公司设有省级智能包装装备研究院、省级企业技术中心，拥有两个大型生产基地，占地10万M²。自第一台“华联牌”连续式封口机诞生以来，华联机械迄今已形成系列化、规模化生产的产品有7大板块200多种，年生产销售超10万台套各类包装机械，产品销售到全球100多个国家。集团被评为“中国包装行业百强”和“中国包装机械行业30强”企业，并连续多年荣获中国包装机械十大知名品牌。

Hualian Machinery Group was founded in 1989, now has two production bases covering an area of more than 100,000 square meters with one packaging machinery high and new technology R&D Center. There are 7 categories with more than 200 kinds of products which have formed series and have been put into lot production, including sealer, vacuum packaging machine, carton sealer, strapping machine, shrinking packaging machine, automatic packaging machine and so on. Hualian manufactures and sales more than 100,000 sets of variety of packaging machines per year and export to over 100 countries. We have rich experience in OEM. Company has passed ISO9001:2008 Quality Management System and ISO14001 Environmental Management System and OHSAS18001 Occupational Health Management System and main products have obtained European CE certificate. In 2017 Hualian passed BSCI certificate from UL company.





连续自动封口机

AUTOMATIC CONTINUOUS BAND SEALER





气动塑料薄膜大袋封口机 FBH SERIES AUTOMATIC HEAT SEALER OF HEAVY-DUTY BAG



FBH-32D

FBH-42D

袋口包装方式 Mode of bag top packaging



适用于热封厚度为0.18~0.50mm的PE或PP较厚的塑料袋。

It is suitable for PE or PP bag with thickness of 0.18-0.5mm

Parameters	FBH-32	FBH-32D
电源电压(V/Hz)Voltage	三相(3PH) AC380/50	三相(3PH) AC380/50
总功率(KW) Gross Power	4	4.5
传动功率(KW) Transmission Power	0.75	0.75
加热功率(KW) Heating Power	0.5×6	0.5×6
除尘功率(KW) Deduster Power	—	0.75
封口速度(m/min)Sealing Speed	0~12	0~12
塑料袋材料 Film Material	聚乙烯(PE)、聚丙烯(PP)薄膜film	
塑料袋总厚度(mm) Bag Thickness	≤0.8	≤0.8
封口宽度(mm) Sealing Width	8~10(可定制customizable)	8~10(可定制customizable)
封口中心至地面的高度(mm) Height From Sealing Center to the Floor	800~1400	800~1400
物料至袋口的最小高度(mm) The minimum distance between the top of bag	180	180
温控范围(°C) Temperature Range	0~300	0~300
气源压力(Mpa) Air Source Pressure	0.6	0.6
冷却方式 Cooling Type	空气冷却 Air cooling	空气冷却 Air cooling
除尘器 Deduster	×	√
外形尺寸(L×W×H)(mm) Dimension	2830×950×1800	2830×950×1800
净重(kg) Net Weight	320	320

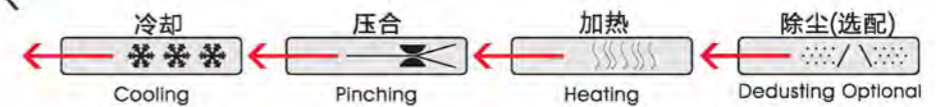
注Note:
“D”表示配置除尘机构 Deduster is available
√=选用 Available ×=不选用 Not available

工序排列 Procedure sequence

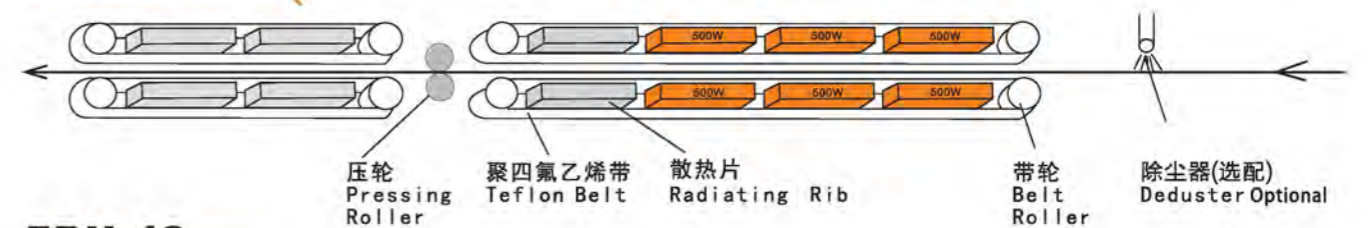
FBH-32D



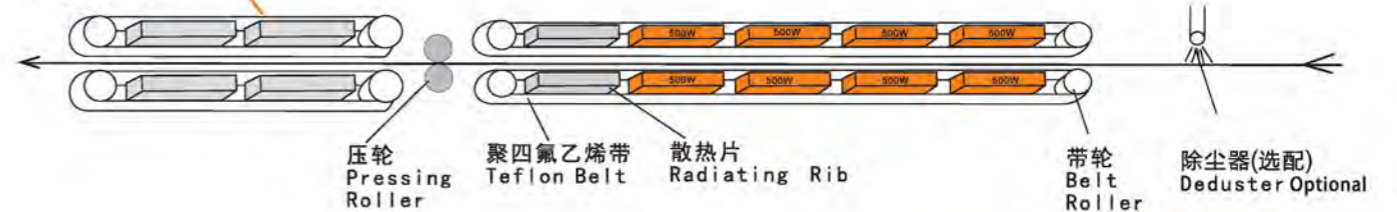
FBH-42



FBH-32D



FBH-42



Parameters	FBH-42	FBH-42D
电源电压(V/Hz)Voltage	三相(3PH) AC380/50	三相(3PH) AC380/50
总功率(KW) Gross Power	5	5.5
传动功率(KW) Transmission Power	0.75	0.75
加热功率(KW) Heating Power	0.5×8	0.5×8
除尘功率(KW) Deduster Power	—	0.75
封口速度(m/min)Sealing Speed	0~12	0~12
塑料袋材料 Film Material	聚乙烯(PE)、聚丙烯(PP)薄膜film	
塑料袋总厚度(mm) Bag Thickness	≤0.8	≤0.8
封口宽度(mm) Sealing Width	8~10(可定制customizable)	8~10(可定制customizable)
封口中心至地面的高度(mm) Height From Sealing Center to the Floor	800~1400	800~1400
物料至袋口的最小高度(mm) The minimum distance between the top of bag	180	180
温控范围(°C) Temperature Range	0~300	0~300
气源压力(Mpa) Air Source Pressure	0.6	0.6
冷却方式 Cooling Type	空气冷却 Air cooling	空气冷却 Air cooling
除尘器 Deduster	×	√
外形尺寸(L×W×H)(mm) Dimension		3015×950×1800
净重(kg) Net Weight	350	350

注Note:
“D”表示配置除尘机构 Deduster is available
√=选用 Available ×=不选用 Not available



纸塑连续封口机 HRS SERIES MINI-TYPE CONTINUOUS BAND SEALER



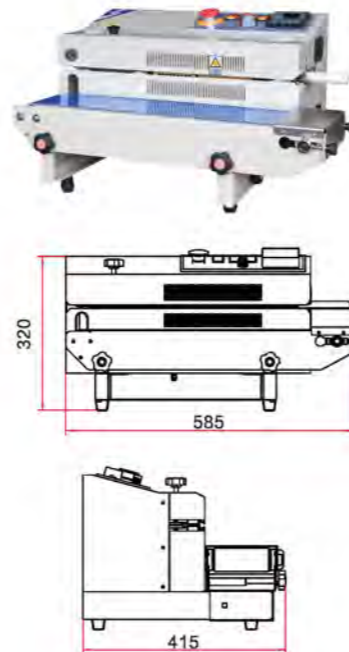
Parameters	HRS-255
电源电压 (V/Hz) Voltage	AC 220/50 110/60
电机功率(W) Motor Power	30
电热功率(W) Sealing Power	400 × 2
封口线速度(m/min) Speed	0-10
袋口至封口中心(mm) Distance from Sealing Center to the opening part of package	0-50
温控范围(°C) Temperature Range	0-200
适用包装物重量(Kg) Maximum weight of objects	≤ 1
外形尺寸(L×W×H)(mm) External Dimensions	515 × 290 × 176.5
净量(kg) Net Weight	21

注：HRS-255为左侧进袋。
Note: HRS-255 bag feeding from the left side.

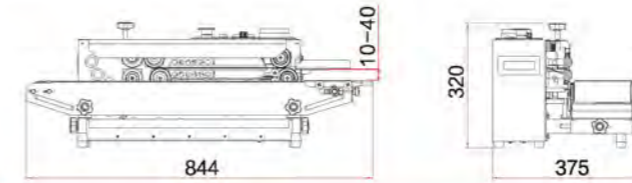
FRB-710 SERIES 连续封口机 CONTINUOUS BAND SEALER

Parameters	FRB-710I
电源电压(V/Hz) Voltage	AC 220/50 110/60
电机功率(W) Motor Power	120
电热功率(W) Sealing Power	300 × 2
封口线速度(m/min) Speed	0-16
封口宽度(mm) Seal Width	10
封口中心至输送台距离 (mm) Distance from Sealing Center to Conveyor	10-40
底板至输送台内侧距离(mm) Distance from Base Plate to Interior Conveyor	80-140
封口中心至袋口最大距离(mm) Max. Distance from Sealing Center to Bag Opening	31
温控范围(°C) Temperature Range	0-300
输送台尺寸(L×W)(mm) Conveyor Size	585 × 142
输送台总承载重量(kg) Overall Conveyor Load	≤ 3
外形尺寸(L×W×H)(mm) External Dimensions	585 × 415 × 320
净重(kg) Net Weight	26

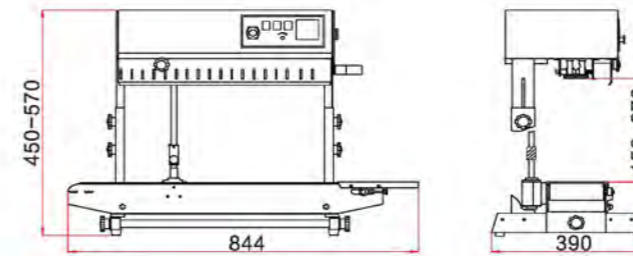
注：FRB-710为右侧进袋。
Note: FRB-710 bag feeding from right side.



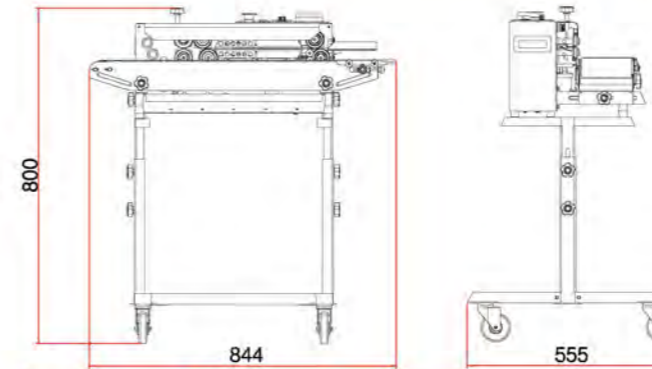
FRD-750 SERIES 连续封口机 CONTINUOUS BAND SEALER



FRD-750I



FRD-750II



FRD-750III

Parameters	FRD-750I	FRD-750II	FRD-750III
电源电压(V/Hz) Voltage	AC 220/50 110/60	AC 220/50 110/60	AC 220/50 110/60
电机功率(W) Motor Power	80	80	80
电热功率(W) Sealing Power	300 × 2	300 × 2	300 × 2
封口线速度(m/min) Speed	0-16(0-24)	0-16(0-24)	0-16(0-24)
封口宽度(mm) Seal Width	10	10	10
温控范围(°C) Temperature Range	0-300	0-300	0-300
印字类别 Printing Type	钢轮压痕印字 Steel embossing wheel for printing		
封口中心至输送台距离(mm) Distance from Sealing Center to Conveyor	15-40	150-270	15-40
底板至输送台内侧距离(mm) Distance from Base Plate to Interior Conveyor	60-120	—	60-120
封口中心至袋口最大距离(mm) Max. Distance from Sealing Center to Bag Opening	21	21	21
输送台尺寸(L×W)(mm) Conveyor Size	844 × 153	844 × 153	844 × 153
输送台总承载重量(kg) Overall Conveyor Load	≤ 3	≤ 3	≤ 3
外形尺寸(L×W×H)(mm) External Dimensions	844 × 375 × 320	844 × 390 × 450	844 × 555 × 800
净重(kg) Net Weight	23	28	29

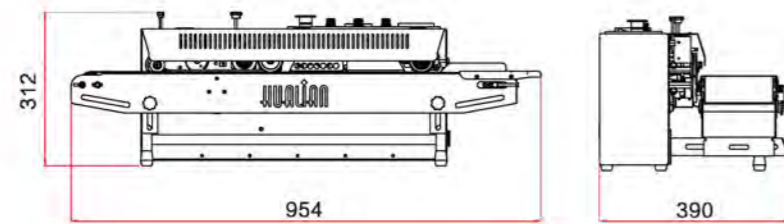
注：FRD-750为右侧进袋。
Note: FRD-750 bag feeding from right side.





连续封口机 FRDM-750 SERIES

CONTINUOUS BAND SEALER



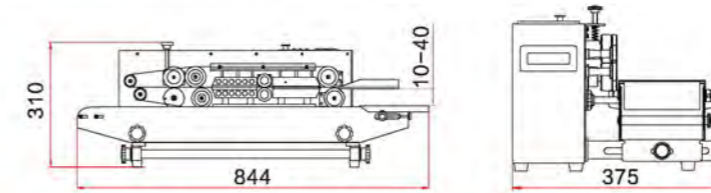
Parameters	FRDM-750
电源电压(V/Hz) Voltage	AC 220/50 110/60
电机功率(W) Motor Power	80
电热功率(W) Sealing Power	300×2
印字电热功率(W) Printing Heating Power	40×2
封口线速度(m/min) Speed	0-24
封口宽度(mm) Seal Width	10
温控范围(°C) Temperature Range	0-300
印字类别 Printing Type	固体墨轮 Solid ink roller
封口中心至输送台高度(mm) Distance from Sealing Center to Conveyor	15-40
底板至输送台内侧距离(mm) Distance from Base Plate to Interior Conveyor	60-120
封口中心至袋口最大距离(mm) Max. Distance from Sealing Center to Bag Opening	21
输送台尺寸(L×W)(mm) Conveyor Size	954×153
输送台总承载重量(kg) Overall Conveyor Load	≤3
外形尺寸(L×W×H)(mm) External Dimensions	954×390×320
净重(kg) Net Weight	26

注:FRDM-750为右侧进袋。
Note: FRDM-750 bag feeding from right side.

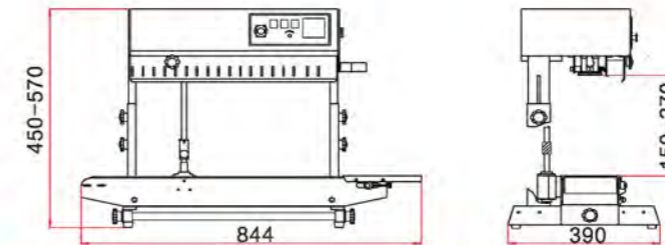


FRB-770 SERIES 连续封口机

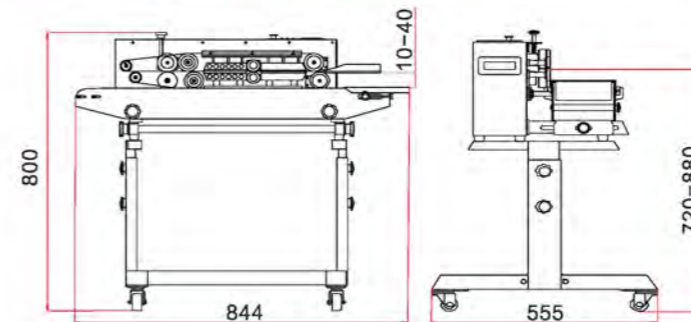
CONTINUOUS BAND SEALER



FRB-770I



FRB-770II



FRB-770III



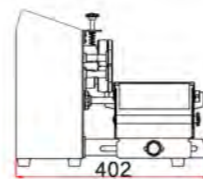
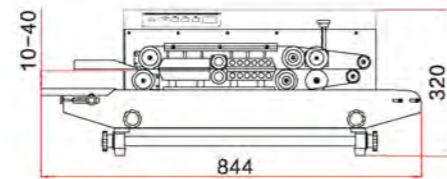
Parameters	FRB-770I	FRB-770II	FRB-770III
电源电压(V/Hz) Voltage	AC 220/50 110/60	AC 220/50 110/60	AC 220/50 110/60
电机功率(W) Motor Power	50/100	50/100	50/100
电热功率(W) Sealing Power	300×2	300×2	300×2
封口线速度(m/min) Speed	0-16(0-24)	0-16(0-24)	0-16(0-24)
封口宽度(mm) Seal Width	10	10	10
封口中心至输送台距离(mm) Distance from Sealing Center to Conveyor	15-40	150-270	15-40
底板至输送台内侧距离(mm) Distance from Base Plate to Interior Conveyor	60-120	-	60-120
封口中心至袋口最大距离(mm) Max. Distance from Sealing Center to Bag Opening	21	21	21
温控范围(°C) Temperature Range	0-300	0-300	0-300
印字类别 Printing Type	钢轮压痕印字(可选用) Steel embossing wheel for printing(optional)		
输送台尺寸(L×W)(mm) Conveyor Size	844×153	844×153	844×153
输送台总承载重量(kg) Overall Conveyor Load	≤10	≤10	≤10
外形尺寸(L×W×H)(mm) External Dimensions	844×375×310	844×390×450	844×555×800
净重(kg) Net Weight	21.5	24.5	29

注: FRB-770为右侧进袋。
Note: FRB-770 bag feeding from the right side.

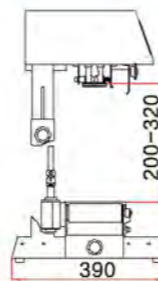
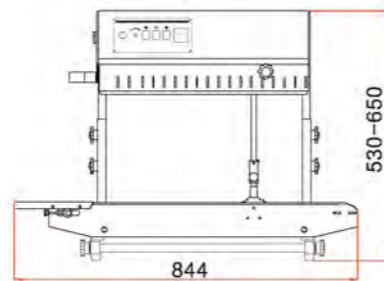


连续封口机 FR-770 SERIES

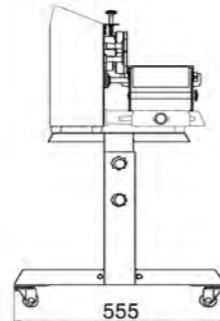
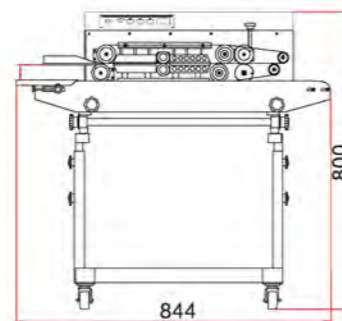
CONTINUOUS BAND SEALER



FR-770I



FR-770II



FR-770III

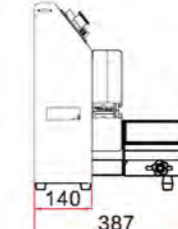
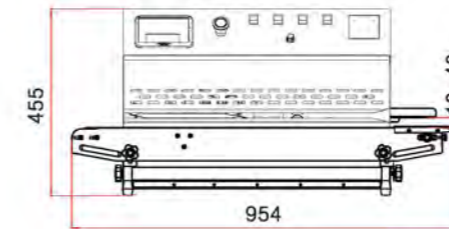
Parameters	FR-770I	FR-770II	FR-770III
电源电压(V/Hz) Voltage	AC 220/50 110/60	AC 220/50 110/60	AC 220/50 110/60
电机功率(W) Motor Power	50/100	50/100	50/100
电热功率(W) Sealing Power	300×2	300×2	300×2
封口线速度(m/min) Speed	0-16(0-24)	0-16(0-24)	0-16(0-24)
封口宽度(mm) Seal Width	10	10	10
温控范围(°C) Temperature Range	0-300	0-300	0-300
印字类别 Printing Type	钢轮压痕印字 (可选用) Steel embossing wheel for printing(optional)		
封口中心至输送台距离(mm) Distance from Sealing Center to Conveyor	10-40	200-320	10-40
底板至输送台内侧距离(mm) Distance from Base Plate to Interior Conveyor	65-85	—	65-85
封口中心至袋口最大距离(mm) Max. Distance from Sealing Center to Bag Opening	21	21	21
输送台尺寸(L×W)(mm) Conveyor Size	840×180	840×180	840×180
输送台总承载重量(kg) Overall Conveyor Load	≤10	≤10	≤10
外形尺寸(L×W×H)(mm) External Dimensions	844×402×320	844×390×530	844×555×800
净重(kg) Net Weight	23	28	29

注: FR-770为左侧进袋。
Note: FR-770 bag feeding from the left side.

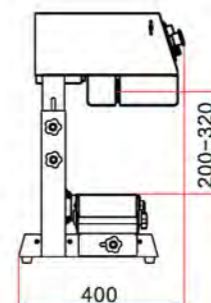
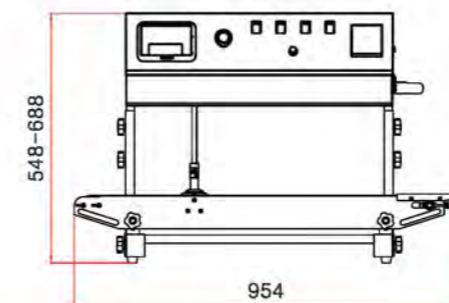


FRP-810 SERIES 智能喷码封口机

CONTINUOUS BAND SEALER



FRP-810I



FRP-810II

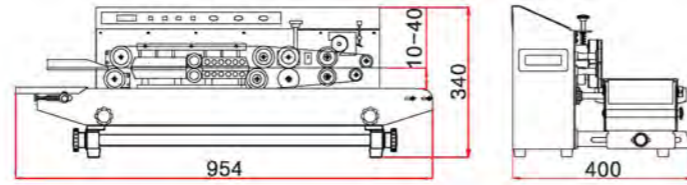


Parameters	FRP-810I	FRP-810II	FRP-810III
电源电压(V/Hz) Voltage	AC 220/50 110/60	AC 220/50 110/60	AC 220/50 110/60
电机功率(W) Motor Power	50/100	50/100	50/100
电热功率(W) Sealing Power	300×2	300×2	300×2
封口线速度(m/min) Speed	0-16(0-24)	0-16(0-24)	0-16(0-24)
封口宽度(mm) Seal Width	10	10	10
温控范围(°C) Temperature Range	0-300	0-300	0-300
印字类别 Printing Type	热发泡喷码 Thermal Inkjet		
封口中心至输送台距离(mm) Distance from Sealing Center to Conveyor	10-40	200-320	10-40
封口中心至袋口最大距离(mm) Max. Distance from Sealing Center to Bag Opening	21	21	21
输送台尺寸(L×W)(mm) Conveyor Size	954×153	954×153	954×153
输送台总承载重量(kg) Overall Conveyor Load	≤10	≤10	≤10
外形尺寸(L×W×H)(mm) External Dimensions	954×390×465	954×400×548	954×555×945
净重(kg) Net Weight	28.5	34	35.5

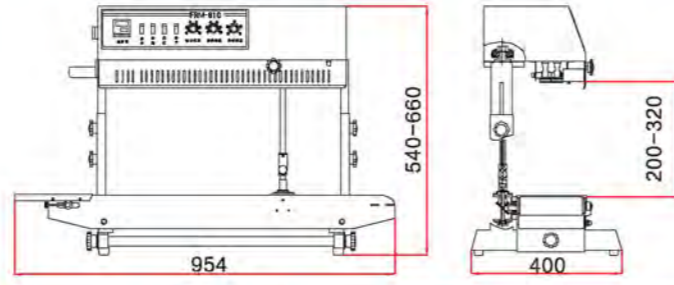


墨轮印字连续封口机 FRM-810 SERIES

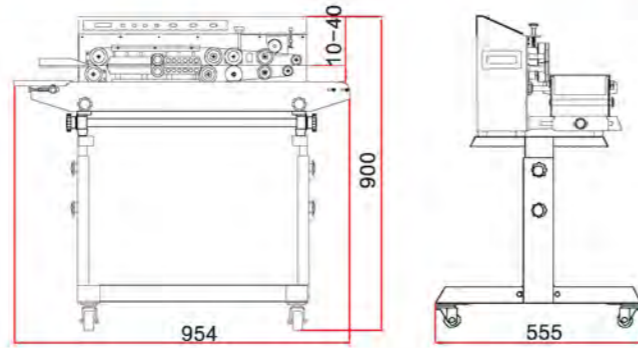
SOLID-INK CODING CONTINUOUS BAND SEALER



FRM-810I



FRM-810II



FRM-810III

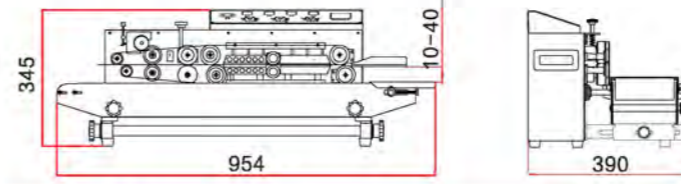
Parameters	FRM-810I	FRM-810II	FRM-810III
电源电压(V/Hz) Voltage	AC 220/50 110/60	AC 220/50 110/60	AC 220/50 110/60
电机功率(W) Motor Power	50/100	50/100	50/100
电热功率(W) Sealing Power	300×2	300×2	300×2
印字电热功率(W) Printing Heating Power	40×2	40×2	40×2
封口线速度(m/min) Speed	0-16(0-24)	0-16(0-24)	0-16(0-24)
封口宽度(mm) Seal Width	10	10	10
温控范围(°C) Temperature Range	0-300	0-300	0-300
印字类别 Printing Type	固体墨轮 Solid ink roller		
封口中心至输送台高度(mm) Distance from Sealing Center to Conveyor	10-40	200-320	10-40
底板至输送台内侧距离(mm) Distance from Base Plate to Interior Conveyor	65-85	—	65-85
封口中心至袋口最大距离(mm) Max. Distance from Sealing Center to Bag Opening	21	21	21
输送台尺寸(L×W)(mm) Conveyor Size	954×180	954×180	954×180
输送台总承载重量(kg) Overall Conveyor Load	≤10	≤10	≤10
外形尺寸(L×W×H)(mm) External Dimensions	954×400×340	954×400×540	954×555×900
净重(kg) Net Weight	28	35	35

注: FRM-810为左侧进袋。
Note: FRM-810 bag feeding from the left side.

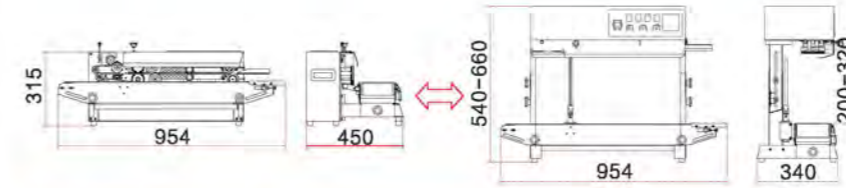


FRBM-810 SERIES 墨轮印字连续封口机

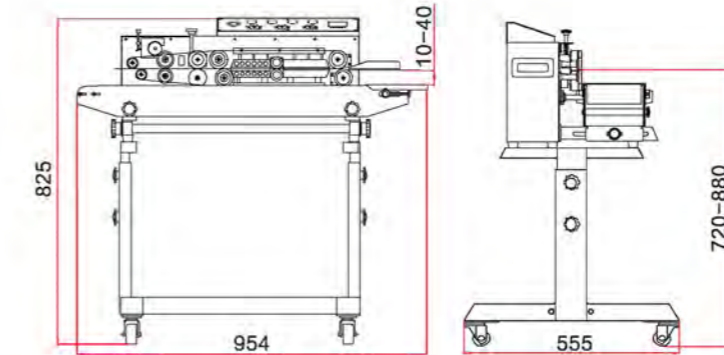
SOLID-INK CODING CONTINUOUS BAND SEALER



FRBM-810I



FRBM-810II



FRBM-810III



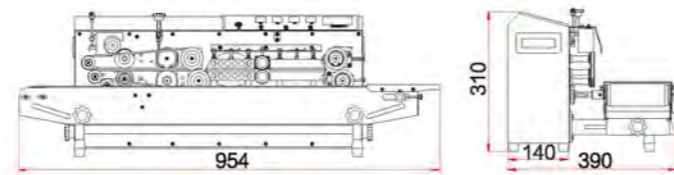
Parameters	FRBM-810I	FRBM-810II	FRBM-810III
电源电压(V/Hz) Voltage	AC 220/50 110/60	AC 220/50 110/60	AC 220/50 110/60
电机功率(W) Motor Power	50/100	50/100	50/100
电热功率(W) Sealing Power	300×2	300×2	300×2
印字电热功率(W) Printing Heating Power	40×2	40×2	40×2
封口线速度(m/min) Speed	0-16(0-24)	0-16(0-24)	0-16(0-24)
封口宽度(mm) Seal Width	10	10	10
温控范围(°C) Temperature Range	0-300	0-300	0-300
印字类别 Printing Type	固体墨轮 Solid ink roller		
封口中心至输送台高度(mm) Distance from Sealing Center to Conveyor	10-40	10-40/200-320	10-40
底板至输送台内侧距离(mm) Distance from Base Plate to Interior Conveyor	65-85	—	65-85
封口中心至袋口最大距离(mm) Max. Distance from Sealing Center to Bag Opening	21	21	21
输送台尺寸(L×W)(mm) Conveyor Size	954×153	954×153	954×153
输送台总承载重量(kg) Overall Conveyor Load	≤10	≤10	≤10
外形尺寸(L×W×H)(mm) External Dimensions	954×390×345	954×450×315(卧) 954×345×540(立)	954×555×825
净重(kg) Net Weight	28	37.5	35

注: FRBM-810为右侧进袋。
Note: FRBM-810 bag feeding from right side.

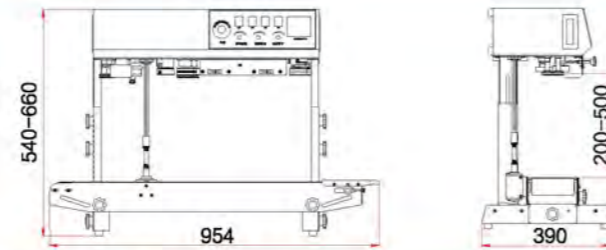


墨轮印字连续封口机 FRCM-810 SERIES

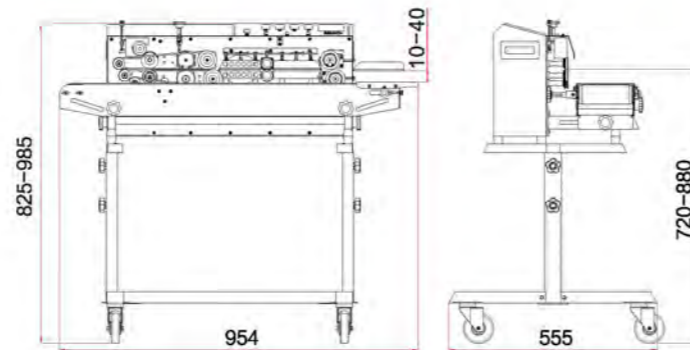
SOLID-INK CODING CONTINUOUS BAND SEALER



FRCM-810I



FRCM-810II



FRCM-810III

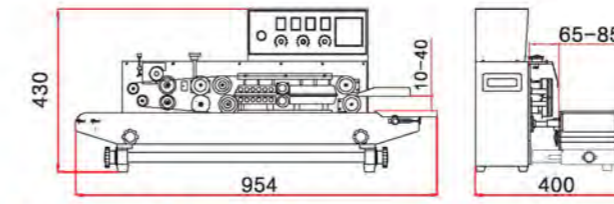
Parameters	FRCM-810I	FRCM-810II	FRCM-810III
电源电压(V/Hz) Voltage	AC 220/50 110/60	AC 220/50 110/60	AC 220/50 110/60
电机功率(W) Motor Power	50/100	50/100	50/100
电热功率(W) Sealing Power	300×2	300×2	300×2
印字电热功率(W) Printing Heating Power	40×2	40×2	40×2
封口线速度(m/min) Speed	0-16(0-24)	0-16(0-24)	0-16(0-24)
封口宽度(mm) Seal Width	10	10	10
温控范围(°C) Temperature Range	0-300	0-300	0-300
印字类别 Printing Type	固体墨轮 Solid ink roller		
封口中心至输送台高度(mm) Distance from Sealing Center to Conveyor	10-40	200-320	10-40
底板至输送台内侧距离(mm) Distance from Base Plate to Interior Conveyor	65-85	65-85	65-85
封口中心至袋口最大距离(mm) Max. Distance from Sealing Center to Bag Opening	21	21	21
输送台尺寸(L×W)(mm) Conveyor Size	954×153	954×153	954×153
输送台总承载重量(kg) Overall Conveyor Load	≤10	≤10	≤10
外形尺寸(L×W×H)(mm) External Dimensions	954×390×310	954×390×540	954×555×825
净重(kg) Net Weight	28	33	35

注:FRCM-810为右侧进袋。
Note: FRCM-810 bag feeding from right side.

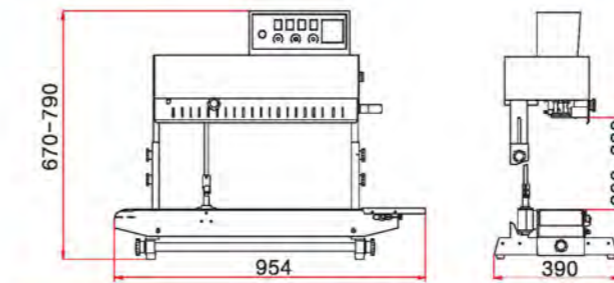


FRM-980 SERIES 墨轮印字连续封口机

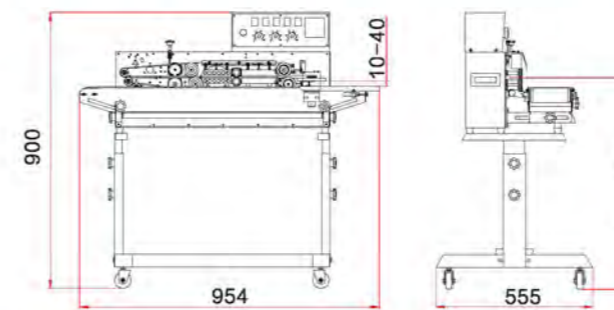
SOLID-INK CODING CONTINUOUS BAND SEALER



FRM-980I



FRM-980II



FRM-980III

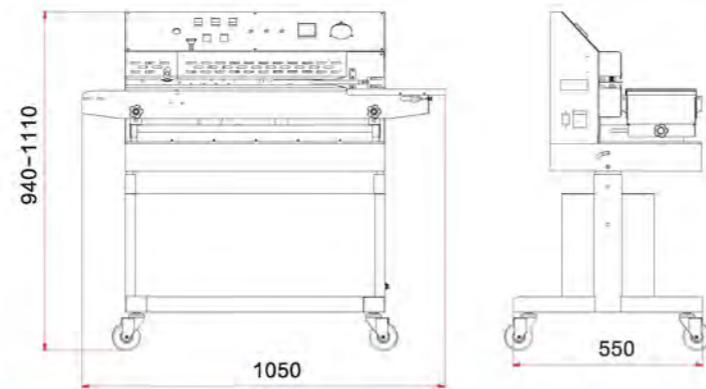


Parameters	FRM-980I	FRM-980II	FRM-980III
电源电压(V/Hz) Voltage	AC 220/50 110/60		
电机功率(W) Motor Power	50/100	50/100	50/100
电热功率(W) Sealing Power	300×2	300×2	300×2
印字电热功率(W) Printing Heating Power	40×2	40×2	40×2
封口线速度(m/min) Speed	0-16(0-24)	0-16(0-24)	0-16(0-24)
封口宽度(mm) Seal Width	10	10	10
温控范围(°C) Temperature Range	0-300	0-300	0-300
印字类别 Printing Type	固体墨轮 Solid ink roller		
封口中心至输送台距离(mm) Distance from Sealing Center to Conveyor	10-40	200-320	10-40
底板至输送台内侧距离(mm) Distance from Base Plate to Interior Conveyor	65-85	—	65-85
封口中心至袋口最大距离(mm) Max. Distance from Sealing Center to Bag Opening	21	21	21
输送台尺寸(L×W)(mm) Conveyor Size	954×153	954×153	954×153
输送台总承载重量(kg) Overall Conveyor Load	≤10	≤10	≤10
外形尺寸(L×W×H)(mm) External Dimensions	954×400×430	954×390×670	954×555×900
净重(kg) Net Weight	29	35	35

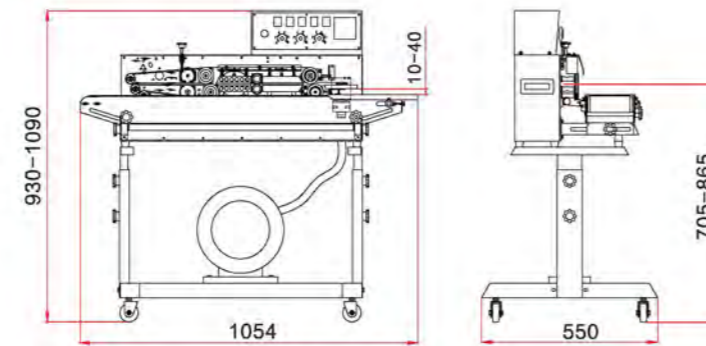


墨轮印字连续封口机 FRM-980 SERIES

SOLID-INK CODING CONTINUOUS BAND SEALER



FRM-980ZQ



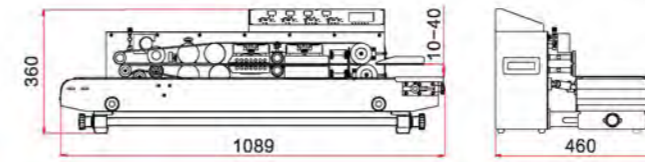
FRMQ-980III / FRMC-980III

Parameters	FRM-980ZQ	FRMQ-980III	FRMC-980III
电源电压(V/Hz) Voltage	AC 220/50 110/60		
电机功率(W) Motor Power	50	50	50
旋涡气泵功率(W) Suction Pump Power	250	90	375
电热功率(W) Sealing Power	300×2	300×2	300×2
印字电热功率(W) Printing Heating Power	40×2	40×2	40×2
封口线速度(m/min) Speed	0-12	0-12	0-12
封口宽度(mm) Seal Width	10	10	10
温控范围(°C) Temperature Range	0-300	0-300	0-300
印字类别 Printing Type	固体墨轮 Solid ink roller		
封口中心至输送台距离(mm) Distance from Sealing Center to Conveyor	10-40	10-40	10-40
底板至输送台内侧距离(mm) Distance from Base Plate to Interior Conveyor	68-85	65-85	65-85
封口中心至袋口最大距离(mm) Max. Distance from Sealing Center to Bag Opening	38	38	38
输送台最大可倾斜角度(°) Maximum Tilt Angle of the Conveyor	26	—	—
输送台尺寸(L×W)(mm) Conveyor Size	1054×203	1054×153	1054×153
输送台总承载重量(kg) Overall Conveyor Load	≤10	≤10	≤10
充气气源接管直径(mm) Diameter of charging air source connecting pipe	8	8	—
外形尺寸(L×W×H)(mm) External Dimensions	1054×550×900	1054×550×900	1054×550×900
净重(kg) Net Weight	67	50	70

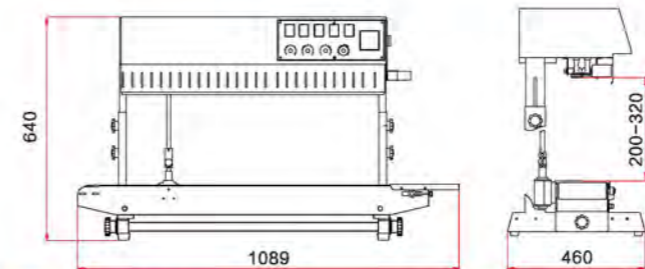


FRM-1010 SERIES 墨轮印字连续封口机

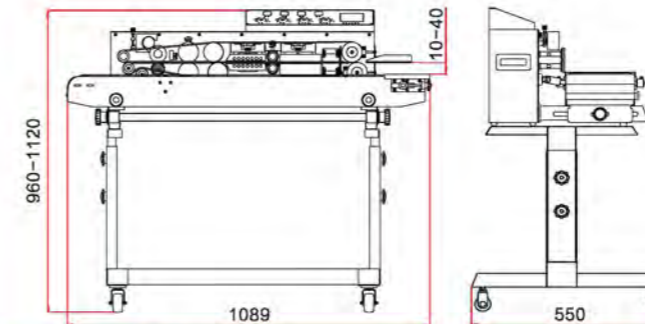
SOLID-INK CODING CONTINUOUS BAND SEALER



FRM-1010I



FRM-1010II



FRM-1010III

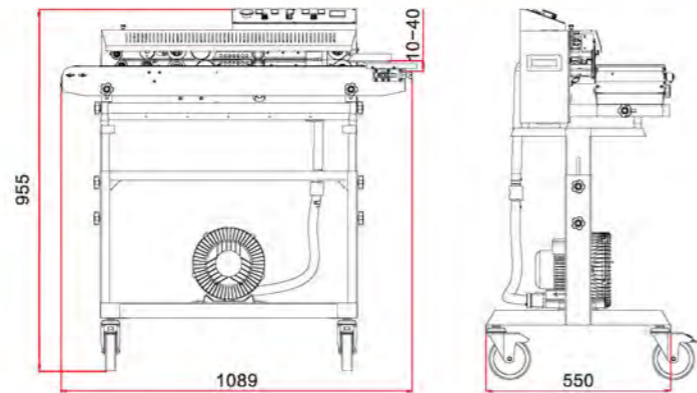


Parameters	FRM-1010I	FRM-1010II	FRM-1010III
电源电压(V/Hz) Voltage	AC 220/50 110/60		
电机功率(W) Motor Power	100	100	100
电热功率(W) Sealing Power	400×2	400×2	400×2
印字电热功率(W) Printing Heating Power	40×2	40×2	40×2
封口线速度(m/min) Speed	0-16	0-16	0-16
封口宽度(mm) Seal Width	10	10	10
温控范围(°C) Temperature Range	0-300	0-300	0-300
封口中心至输送台距离(mm) Distance from Sealing Center to Conveyor	10-40	200-320	10-40
底板至输送台内侧距离(mm) Distance from Base Plate to Interior Conveyor	85-115	—	85-115
封口中心至袋口最大距离(mm) Max. Distance from Sealing Center to Bag Opening	25	25	25
印字类别 Printing Type	固体墨轮 Solid ink roller		
输送台尺寸(L×W)(mm) Conveyor Size	1089×205	1089×205	1089×205
输送台总承载重量(kg) Overall Conveyor Load	≤10	≤10	≤10
外形尺寸(L×W×H)(mm) External Dimensions	1089×460×360	1089×460×640	1089×550×960
净重(kg) Net Weight	41	50	55

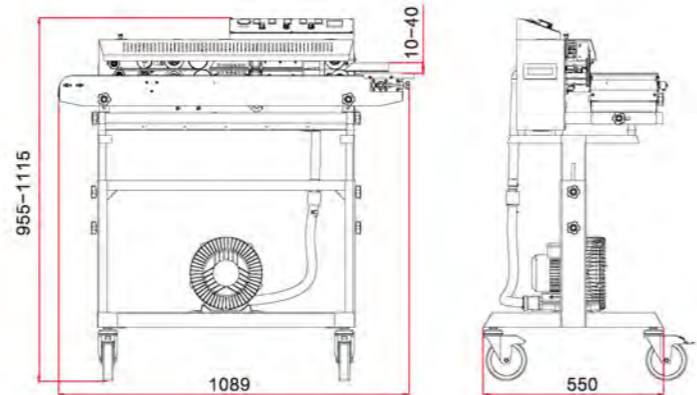


墨轮印字连续封口机 FRM-1010 SERIES

SOLID-INK CODING CONTINUOUS BAND SEALER



FRMQ-1010III



FRMC-1010III

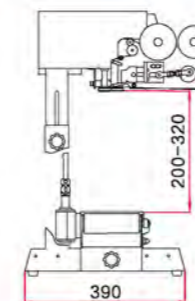
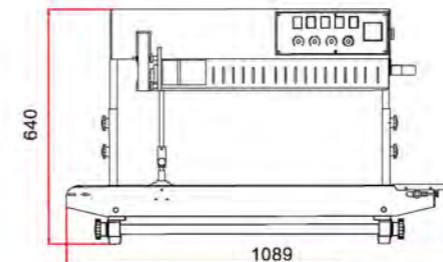
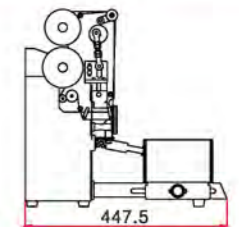
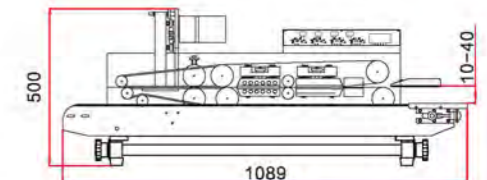
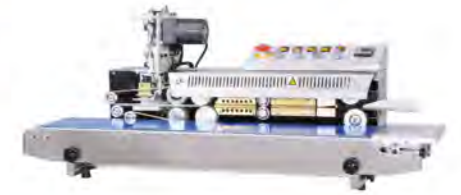
Parameters	FRMQ-1010III	FRMC-1010III
电源电压(V/Hz) Voltage	AC 220/50 110/60	
电机功率(W) Motor Power	100	100
旋涡气泵功率(W) Suction Pump Power	90	550
电热功率(W) Sealing Power	400×2	400×2
印字电热功率(W) Printing Heating Power	40×2	40×2
封口线速度(m/min) Speed	0-16	0-16
封口宽度(mm) Seal Width	10	10
温控范围(°C) Temperature Range	0-300	0-300
封口中心至输送台距离(mm) Distance from Sealing Center to Conveyor	10-40	10-40
底板至输送台内侧距离(mm) Distance from Base Plate to Interior Conveyor	85-115	85-115
封口中心至袋口最大距离(mm) Max. Distance from Sealing Center to Bag Opening	20	20
印字类别 Printing Type	固体墨轮 Solid ink roller	
输送台尺寸(L×W)(mm) Conveyor Size	1089×205	1089×205
输送台总承载重量(kg) Overall Conveyor Load	≤10	≤10
外形尺寸(L×W×H)(mm) External Dimensions	1089×550×955	1089×550×955
净重(kg) Net Weight	74	74



FRS-1010 SERIES 色带印字连续封口机

COLOR RIBBON PRINTING CONTINUOUS BAND SEALER

Parameters	FRS-1010I
电源电压(V/Hz) Voltage	AC 220/50 110/60
电机功率(W) Motor Power	100
电热功率(W) Sealing Power	400×2
印字电热功率(W) Printing Heating Power	50×2
封口线速度(m/min) Speed	0-16
封口宽度(mm) Seal Width	10
温控范围(°C) Temperature Range	0-300
印字类别 Printing Type	色带 Color ribbon
封口中心至输送台距离(mm) Distance from Sealing Center to Conveyor	10-40
底板至输送台内侧距离(mm) Distance from Base Plate to Interior Conveyor	85-115
封口中心至袋口最大距离(mm) Max. Distance from Sealing Center to Bag Opening	38
输送台尺寸(L×W)(mm) Conveyor Size	1089×205
输送台总承载重量(kg) Overall Conveyor Load	≤10
外形尺寸(L×W×H)(mm) External Dimensions	1089×447.5×500
净重(kg) Net Weight	41



Parameters	FRS-1010II
电源电压(V/Hz) Voltage	AC 220/50 110/60
电机功率(W) Motor Power	100
电热功率(W) Sealing Power	400×2
印字电热功率(W) Printing Heating Power	50×2
封口线速度(m/min) Speed	0-16
封口宽度(mm) Seal Width	10
温控范围(°C) Temperature Range	0-300
印字类别 Printing Type	色带 Color ribbon
封口中心至输送台距离(mm) Distance from Sealing Center to Conveyor	200-320
封口中心至袋口最大距离(mm) Max. Distance from Sealing Center to Bag Opening	38
输送台尺寸(L×W)(mm) Conveyor Size	1089×205
输送台总承载重量(kg) Overall Conveyor Load	≤10
外形尺寸(L×W×H)(mm) External Dimensions	1089×390×640
净重(kg) Net Weight	50

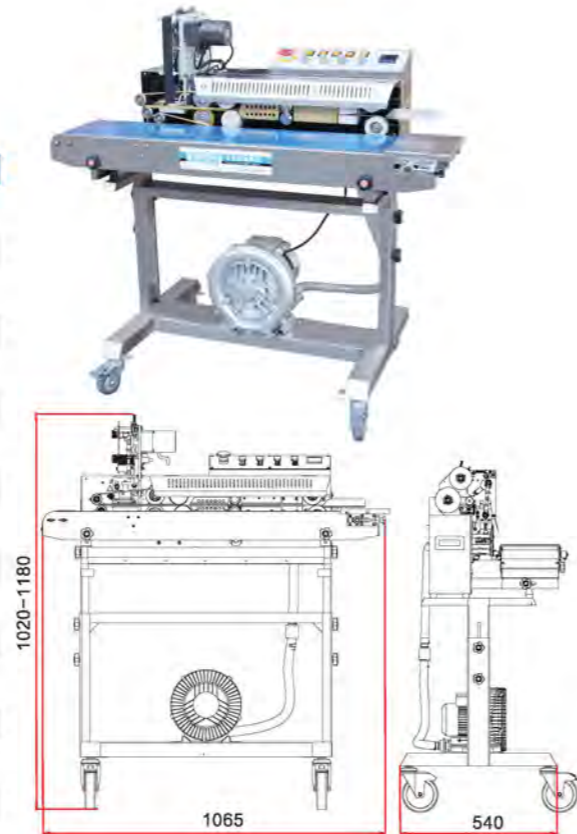


色带印字连续封口机 FRS-1010 SERIES COLOR RIBBON PRINTING CONTINUOUS BAND SEALER



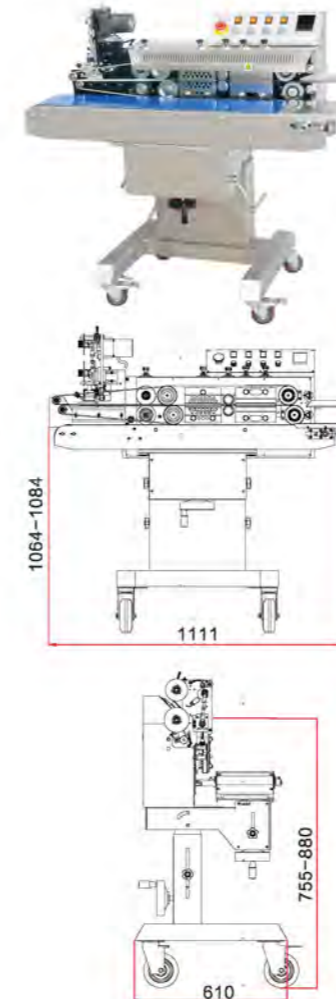
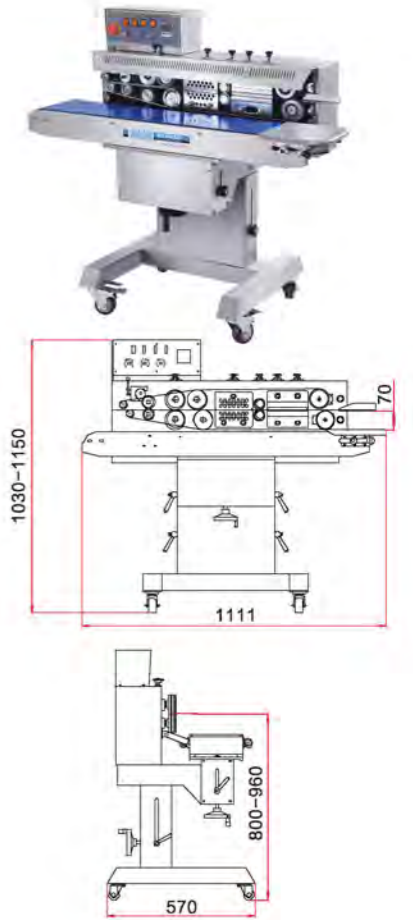
Parameters		FRS-1010III
电源电压(V/Hz) Voltage		AC 220/50 110/60
电机功率(W) Motor Power		100
电热功率(W) Sealing Power		400×2
印字电热功率(W) Printing Heating Power		50×2
封口线速度(m/min) Speed		0-16
封口宽度(mm) Seal Width		10
温控范围(°C) Temperature Range		0-300
印字类别 Printing Type		色带 Color ribbon
封口中心至输送台距离(mm) Distance from Sealing Center to Conveyor		10-40
底板至输送台内侧距离(mm) Distance from Base Plate to Interior Conveyor		85-115
封口中心至袋口最大距离(mm) Max. Distance from Sealing Center to Bag Opening		38
输送台尺寸(L×W)(mm) Conveyor Size		1089×205
输送台总承载重量(kg) Overall Conveyor Load		≤10
外形尺寸(L×W×H)(mm) External Dimensions		1089×550×1020
净重(kg) Net Weight		73

Parameters		FRS-1010III
电源电压(V/Hz) Voltage		AC 220/50 110/60
电机功率(W) Motor Power		100
抽气泵功率(W) Suction Pump Power		550
电热功率(W) Sealing Power		400×2
印字电热功率(W) Printing Heating Power		50×2
封口线速度(m/min) Speed		0-16
封口宽度(mm) Seal Width		10
温控范围(°C) Temperature Range		0-300
印字类别 Printing Type		色带 Color ribbon
封口中心至输送台距离(mm) Distance from Sealing Center to Conveyor		10-40
底板至输送台内侧距离(mm) Distance from Base Plate to Interior Conveyor		85-115
封口中心至袋口最大距离(mm) Max. Distance from Sealing Center to Bag Opening		38
输送台尺寸(L×W)(mm) Conveyor Size		1089×205
输送台总承载重量(kg) Overall Conveyor Load		≤10
外形尺寸(L×W×H)(mm) External Dimensions		1065×540×1020
净重(kg) Net Weight		73



FRM-1120 SERIES 有色印字连续封口机 CONTINUOUS BAND SEALER

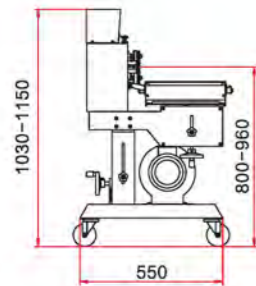
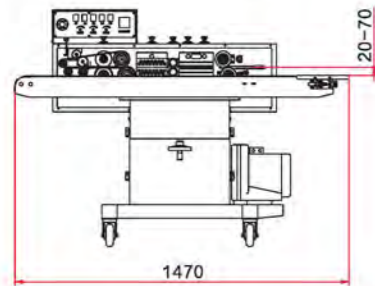
Parameters		FRM-1120W
电源电压(V/Hz) Voltage		AC 220/50 110/60
电机功率(W) Motor Power		100
电热功率(W) Sealing Power		400×2
印字电热功率(W) Printing Heating Power		40×2
封口线速度(m/min) Speed		0-12
封口宽度(mm) Seal Width		10
温控范围(°C) Temperature Range		0-300
印字类别 Printing Type		固体墨轮 Solid ink roller
封口中心至输送台距离(mm) Distance from Sealing Center to Conveyor		20-70
底板至输送台内侧距离(mm) Distance from Base Plate to Interior Conveyor		90-130
封口中心至袋口最大距离(mm) Max. Distance from Sealing Center to Bag Opening		37
输送台尺寸(L×W)(mm) Conveyor Size		1111×205
输送台总承载重量(kg) Overall Conveyor Load		≤10
外形尺寸(L×W×H)(mm) External Dimensions		1111×570×1030
净重(kg) Net Weight		82



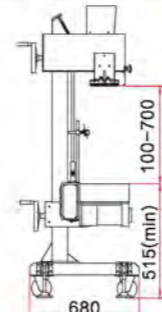
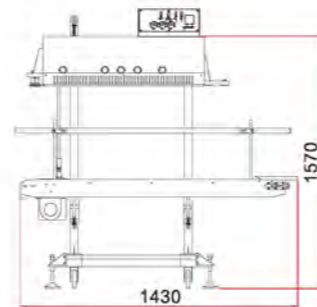
Parameters		FRS-1120W
电源电压(V/Hz) Voltage		AC 220/50 110/60
电机功率(W) Motor Power		100
电热功率(W) Sealing Power		400×2
印字电热功率(W) Printing Heating Power		50×2
封口线速度(m/min) Speed		0-12
封口宽度(mm) Seal Width		10
温控范围(°C) Temperature Range		0-300
印字类别 Printing Type		色带 Color ribbon
封口中心至输送台距离(mm) Distance from Sealing Center to Conveyor		20-70
底板至输送台内侧距离(mm) Distance from Base Plate to Interior Conveyor		90-130
封口中心至袋口最大距离(mm) Max. Distance from Sealing Center to Bag Opening		37
输送台尺寸(L×W)(mm) Conveyor Size		1111×205
输送台总承载重量(kg) Overall Conveyor Load		≤10
外形尺寸(L×W×H)(mm) External Dimensions		1111×610×1064
净重(kg) Net Weight		82



有色印字连续封口机 FRM-1120 SERIES CONTINUOUS BAND SEALER



Parameters	FRMC-1120W
电源电压(V/Hz) Voltage	AC 220/50 110/60
电机功率(W) Motor Power	100
旋涡气泵功率(W) Vortex Pump Power	550
电热功率(W) Sealing Power	400×2
印字电热功率(W) Printing Heating Power	40×2
封口线速度(m/min) Speed	0-12
封口宽度(mm) Seal Width	10
温控范围(°C) Temperature Range	0-300
印字类别 Printing Type	固体墨轮 Solid ink roller
封口中心至输送台距离(mm) Distance from Sealing Center to Conveyor	20-70
底板至输送台内侧距离(mm) Distance from Base Plate to Interior Conveyor	85-130
封口中心至袋口最大距离(mm) Max. Distance from Sealing Center to Bag Opening	37
输送台尺寸(L×W)(mm) Conveyor Size	1470×205
输送台总承载重量(kg) Overall Conveyor Load	≤10
外形尺寸(L×W×H)(mm) External Dimensions	1470×550×1030
净重(kg) Net Weight	90

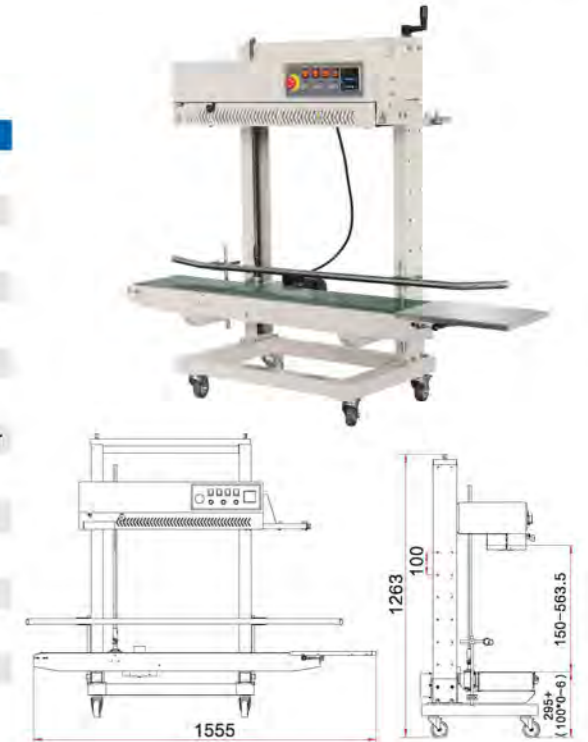


Parameters	FRM-1120LD
电源电压(V/Hz) Voltage	AC 220/50 110/60
电机功率(W) Motor Power	200
电热功率(W) Sealing Power	400×2
印字电热功率(W) Printing Heating Power	40×2
封口线速度(m/min) Speed	0-10
封口宽度(mm) Seal Width	10
温控范围(°C) Temperature Range	0-300
印字类别 Printing Type	固体墨轮 Solid ink roller
封口中心至输送台距离(mm) Distance from Sealing Center to Conveyor	100-700
封口中心至袋口最大距离(mm) Max. Distance from Sealing Center to Bag Opening	43
输送台尺寸(L×W)(mm) Conveyor Size	1430×250
输送台总承载重量(kg) Overall Conveyor Load	≤15
外形尺寸(L×W×H)(mm) External Dimensions	1430×680×1570
净重(kg) Net Weight	136

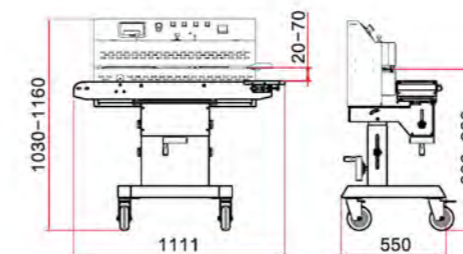


FRCM-1120L 连续封口机 CONTINUOUS BAND SEALER

Parameters	FRCM-1120L
电源电压(V/Hz) Voltage	AC 220/50 110/60
电机功率(W) Motor Power	250
电热功率(W) Sealing Power	600×2
印字电热功率(W) Printing Heating Power	40×2
封口线速度(m/min) Speed	0-12
封口宽度(mm) Seal Width	10
温控范围(°C) Temperature Range	0-300
印字类别 Printing Type	固体墨轮 Solid ink roller
封口中心至输送台距离(mm) Distance from Sealing Center to Conveyor	80-700
封口中心至袋口最大距离(mm) Max. Distance from Sealing Center to Bag Opening	50
输送台尺寸(L×W)(mm) Conveyor Size	1520×250
输送台总承载重量(kg) Overall Conveyor Load	≤18
外形尺寸(L×W×H)(mm) External Dimensions	1570×530×1260
净重(kg) Net Weight	90



智能喷码封口机 FRP-1120W SERIES INK-JET PRINTING SEALER



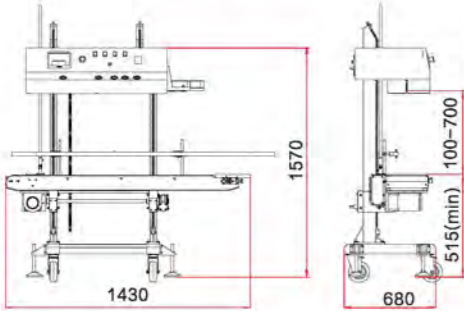
Parameters	FRP-1120W
电源电压(V/Hz) Voltage	AC 220/50 110/60
电机功率(W) Motor Power	180
电热功率(W) Sealing Power	400×2
封口线速度(m/min) Speed	0-16
封口宽度(mm) Seal Width	10
温控范围(°C) Temperature Range	0-300
印字类别 Printing Type	热发泡喷码 Thermal Inkjet
封口中心至输送台距离(mm) Distance from Sealing Center to Conveyor	20-70
底板至输送台内侧距离(mm) Distance from Base Plate to Interior Conveyor	90-130
封口中心至袋口最大距离(mm) Max. Distance from Sealing Center to Bag Opening	37
输送台尺寸(L×W)(mm) Conveyor Size	1111×205
输送台总承载重量(kg) Overall Conveyor Load	≤10
外形尺寸(L×W×H)(mm) External Dimensions	1111×570×1030
净重(kg) Net Weight	85



智能喷码封口机 FRP-1120 SERIES INK-JET PRINTING SEALER



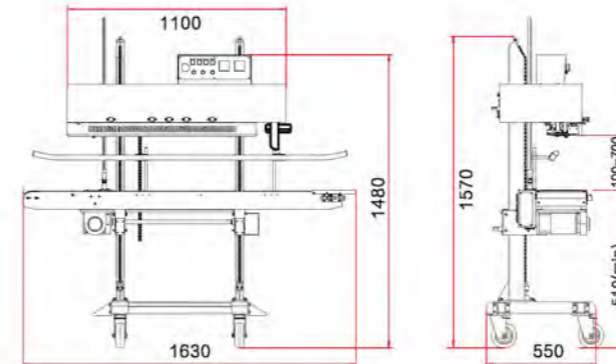
Parameters	FRP-1120LD
电源电压(V/Hz) Voltage	AC 220/50 110/60
电机功率(W) Motor Power	200
电热功率(W) Sealing Power	400×2
封口线速度(m/min) Speed	0-10
封口宽度(mm) Seal Width	10
温控范围(°C) Temperature Range	0-300
印字类别 Printing Type	热发泡喷码 Thermal Inkjet
封口中心至输送台距离(mm) Distance from Sealing Center to Conveyor	100-700
封口中心至袋口最大距离(mm) Max. Distance from Sealing Center to Bag Opening	43
输送台尺寸(L×W)(mm) Conveyor Size	1430×250
输送台总承载重量(kg) Overall Conveyor Load	≤15
外形尺寸(L×W×H)(mm) External Dimensions	1430×680×1570
净重(kg) Net Weight	140



Parameters	FRP-1120WH
电源电压(V/Hz) Voltage	AC 220/50 110/60
电机功率(W) Motor Power	180
电热功率(W) Sealing Power	400×2
气源气压(MPa) Gas Power	0.5
封口线速度(m/min) Speed	0-24
封口宽度(mm) Seal Width	10
温控范围(°C) Temperature Range	0-300
印字类别 Printing Type	热发泡喷码 Thermal Inkjet
封口中心至输送台距离(mm) Distance from Sealing Center to Conveyor	100-700
底板至输送台内侧距离(mm) Distance from Base Plate to Interior Conveyor	100-142
封口中心至袋口最大距离(mm) Max. Distance from Sealing Center to Bag Opening	35
封口中心至物料最小距离(mm) Min distance from Sealing Center to Material (mm)	40
输送台最大可倾斜角度(°) Maximum Tilt Angle of the Conveyor	15
输送台尺寸(L×W)(mm) Conveyor Size	1730×300
输送台总承载重量(kg) Overall Conveyor Load	≤15
包装袋宽度范围(mm) Bag width range	80-400
空气气源接管直径(mm) Diameter of Air Supply Pipe	12
充气气源接管直径(mm) Diameter of Charging Air Source Connecting Pipe	8
外形尺寸(L×W×H)(mm) External Dimensions	1730×660×1030
净重(kg) Net Weight	152



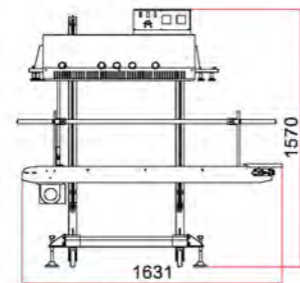
FRMQ-1370LD 连续封口机 CONTINUOUS BAND SEALER



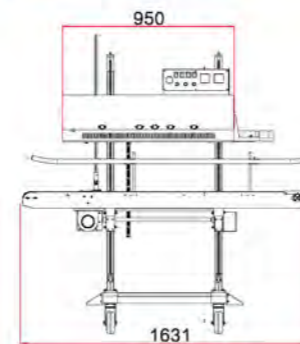
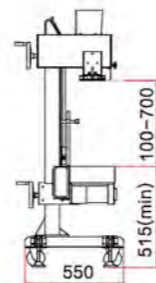
Parameters	FRMQ-1370LD
电源电压(V/Hz) Voltage	AC 220/50 110/60
电机功率(W) Motor Power	200
电热功率(W) Sealing Power	400×4
印字电热功率(W) Printing Heating Power	40×2
封口线速度(m/min) Speed	0-10
封口宽度(mm) Seal Width	10
温控范围(°C) Temperature Range	0-300
印字类别 Printing Type	固体墨轮 Solid ink roller
封口中心至输送台距离(mm) Distance from Sealing Center to Conveyor	100-700
封口中心至袋口最大距离(mm) Max. Distance from Sealing Center to Bag Opening	43
充气气源接管直径(mm) Diameter of charging air source connecting pipe	8
输送台总承载重量(kg) Overall Conveyor Load	≤15
外形尺寸(L×W×H)(mm) External Dimensions	1631×550×1570
净重(kg) Net Weight	160



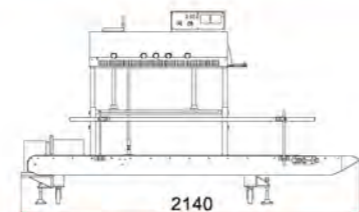
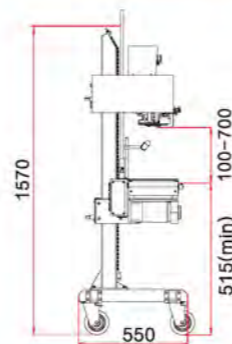
连续封口机 FR-1370 SERIES CONTINUOUS BAND SEALER



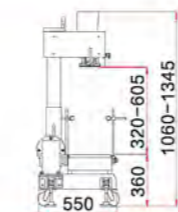
FR-1370LD



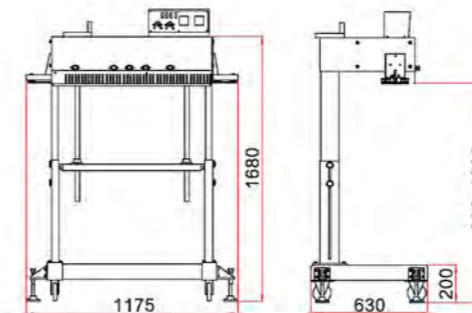
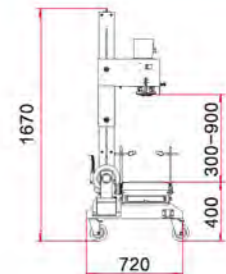
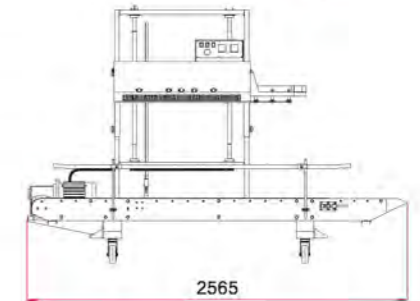
FRM-1370LD



FRM-1370AL/M



Parameters	FR-1370AL/L
电源电压(V/Hz) Voltage	AC 220/50 110/60
电机功率(W) Motor Power	550
电热功率(W) Sealing Power	400×4
封口线速度(m/min) Speed	8
封口宽度(mm) Seal Width	10
温控范围(°C) Temperature Range	0-300
封口中心至输送台距离(mm) Distance from Sealing Center to Conveyor	300-900
封口中心至袋口最大距离(mm) Max. Distance from Sealing Center to Bag Opening	109
输送台尺寸(L×W)(mm) Conveyor Size	2400×350
输送台总承载重量(kg) Overall Conveyor Load	≤60
外形尺寸(L×W×H)(mm) External Dimensions	2565×720×1670
净重(kg) Net Weight	250

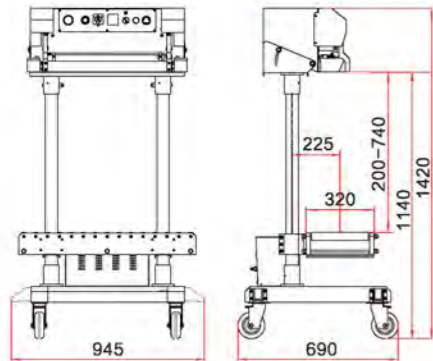


Parameters	FR-1370L/T
电源电压(V/Hz) Voltage	AC 220/50 110/60
电机功率(W) Motor Power	250
电热功率(W) Sealing Power	400×4
封口线速度(m/min) Speed	0-10
封口宽度(mm) Seal Width	10
温控范围(°C) Temperature Range	0-300
封口中心至袋口最大距离(mm) Max. Distance from Sealing Center to Bag Opening	43
外形尺寸(L×W×H)(mm) External Dimensions	1175×630×1680
净重(kg) Net Weight	80

Parameters	FR-1370LD	FRM-1370LD	FRM-1370AL/M
电源电压(V/Hz) Voltage		AC 220/50 110/60	
电机功率(W) Motor Power	200	200	550
电热功率(W) Sealing Power	400×4	400×4	400×4
封口线速度(m/min) Speed	0-10	0-10	8
封口宽度(mm) Seal Width	10	10	10
温控范围(°C) Temperature Range	0-300	0-300	0-300
封口中心至输送台距离(mm) Distance from Sealing Center to Conveyor	100-700	100-700	320-605
封口中心至袋口最大距离(mm) Max. Distance from Sealing Center to Bag Opening	43	43	43
输送台尺寸(L×W)(mm) Conveyor Size	1600×250	1600×250	1900×300
输送台总承载重量(kg) Overall Conveyor Load	≤15	≤15	≤60
外形尺寸(L×W×H)(mm) External Dimensions	1631×550×1570	1631×550×1570	2188×550×1100
净重(kg) Net Weight	150	150	180

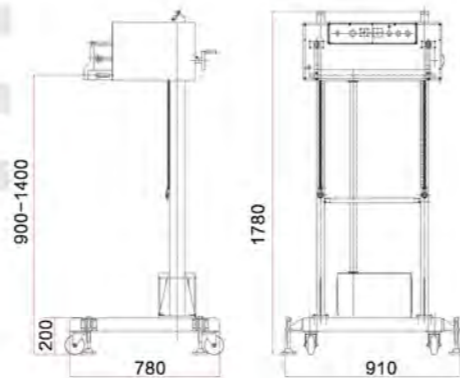


气动塑料薄膜大袋封口机 QF SERIES PNEUMATIC SEALER



Parameters	QF-600L(/S)
电源电压(V/Hz)Voltage	AC 220/50 110/60
电热功率(W) Sealing Power	500(800)
气源压力(Mpa) Air Compressor	0.5 (用户自备) Equipped by user
封口长度(mm) Seal Length	600、800、1000
封口宽度(mm) Seal Width	10
封口中心至地面的高度(mm) Distance from Sealing Center to Floor	1140
薄膜厚度(单层)(mm) Film Thickness (single layer)	≤0.18
包装袋高度(mm) Height of Packing Bag	200-750
最大封口载荷(kg) Max. Sealing Load	50
压头可调角度(°) Adjustable Angle of Pressing Head	20
外形尺寸(L×W×H)(mm) External Dimensions	945×725×1420
净重(kg) Net Weight	80

注：型号后加“/S”代表两侧加热机型。
Note: Letter “/S” in the model stands for the function of two-side heating.



Parameters	QF-600LD(/S)
电源电压(V/Hz)Voltage	AC 220/50 110/60
电热功率(W) Sealing Power	500(800)
气源压力(Mpa) Air Compressor	0.5 (用户自备) Equipped by user
封口长度(mm) Seal Length	600、800、1000
封口宽度(mm) Seal Width	10
封口中心至地面的高度(mm) Distance from Sealing Center to Floor	900-1400
薄膜厚度(单层)(mm) Film Thickness (single layer)	≤0.18
包装袋高度(mm) Height of Packing Bag	200-750
外形尺寸(L×W×H)(mm) External Dimensions	910×780×1780
净重(kg) Net Weight	84

注：型号后加“/S”代表两侧加热机型。
Note: Letter “/S” in the model stands for the function of two-side heating.



HTS SERIES 封盒机 TRAY SEALER



HTS-175

Parameters	HTS-175	HTS-175D	HTS-225	HTS-225D	HTS-265	HTS-265D
电源电压(V/Hz) Voltage	AC 220/50	AC 220/50	AC 220/50	AC 220/50	AC 220/50	AC 220/50
功率(W) Power	500	500	500	500	500	500
速度(times/h) Speed	450	450	450	450	450	450
温控范围(°C) Temperature Range	0-240	0-240	0-240	0-240	0-240	0-240
最大卷膜宽度(mm) Max. Width of Roll Film	150	150	150	150	150	150
最大卷膜直径(mm) Max. Diameter of Roll Film	200	200	200	200	200	200
最大封盒尺寸(L×W)(mm) Max. Sealing area	190×130	170×130	230×160	210×160	230×200	210×200
外形尺寸(L×W×H)(mm) External Dimensions	400×176×240		440×215×240		440×225×240	
净重(kg) Net Weight	7	7.5	8.5	9	10	10.5

HL SERIES 封杯机 CUP SEALER



HL-95A



HL-95B

Parameters	HL-95A	HL-95B	HL-95C
电源电压(V/Hz) Voltage	AC 220/50 110/60	AC 220/50 110/60	AC 220/50 110/60
电机功率(W) Motor Power	650	500	450
封口速度(杯Cup/小时) Speed	450	600	400
外形尺寸(L×W×H)(mm) External Dimensions	540×410×780	240×280×600	320×430×680
净重(kg) Net Weight	45	30	28



WeChat
公众微信号



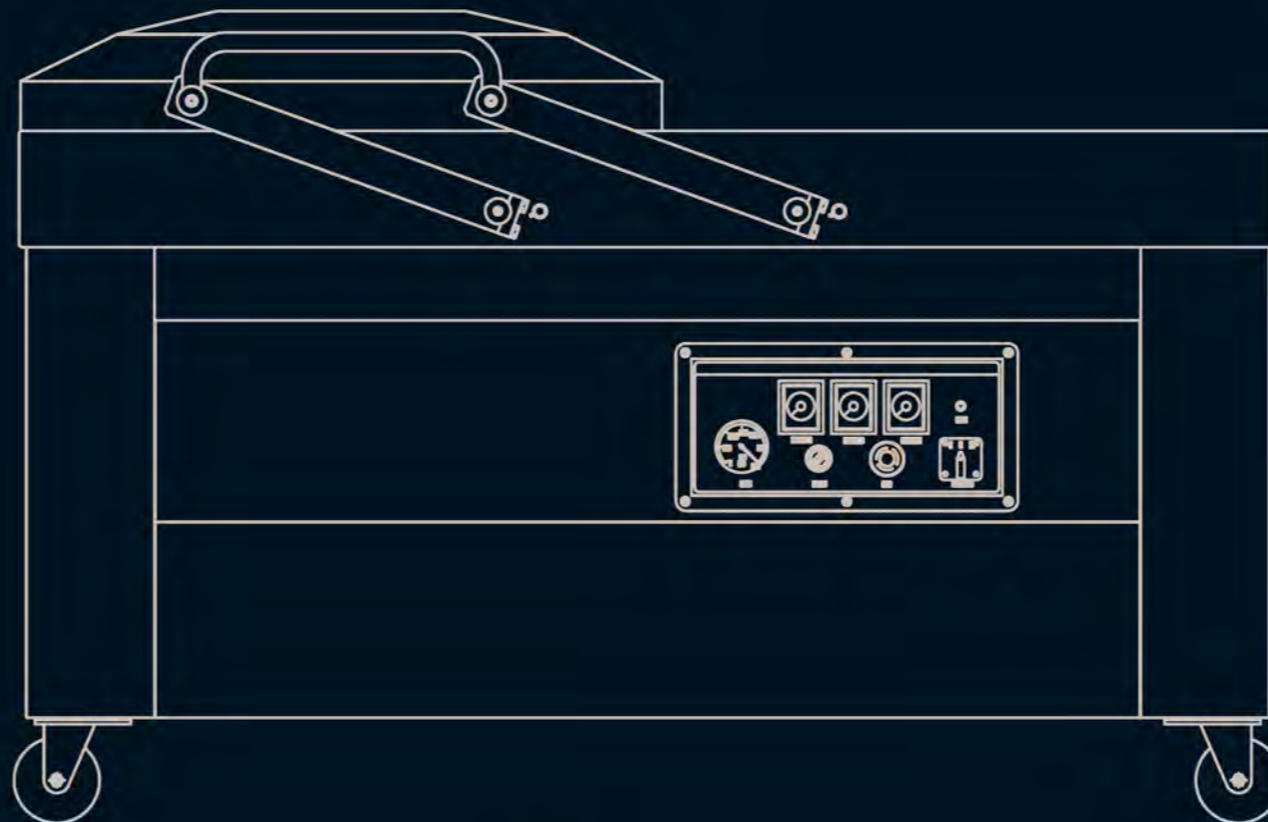
Official Website
官方网站



Catalogue PDF
样本PDF版



VACUUM PACKAGING MACHINE 真空包装机



华联机械集团有限公司

地址：温州市高翔工业区大维路2号

邮编：325006

电话：0577-89989999（总机）

传真：0577-89989966

E-mail: hualian@hualian.biz

国内销售

电话：0577-89989981 89989982 89989983 89989956

传真：0577-89989968

E-mail: sales@hualian.biz

华联机械集团温州进出口有限公司

HUALIAN MACHINERY GROUP WENZHOU IMPORT&EXPORT CO.,LTD

地址：温州市高翔工业区大维路2号

Add: No.2 Dawei Road, Gaoxiang Industrial Park, Wenzhou, China

P.C.: 325006

Tel: +86-577-88627766 88627768 88608008

E-mail: hl@hualian.biz hl@hualianmachinery.com

版权所有 翻版必究 (2023.11)

华联机械集团
HUALIAN MACHINERY GROUP



Intelligent Packaging Integrated Solution System Provider
智能包装整体解决方案系统服务商



Intelligent Packaging Integrated Solution System Provider
智能包装整体解决方案系统服务商



COMPANY PROFILE 公司简介

华联机械集团创建于1989年，是经国家工商总局核准成立的无区域企业集团。集团以包装机械为主业，以智能化后道包装系统的研发制造、销售服务为核心业务，是面向全球市场的包装机械供应商。公司设有省级智能包装装备研究院、省级企业技术中心，拥有两个大型生产基地，占地10万M²。自第一台“华联牌”连续式封口机诞生以来，华联机械迄今已形成系列化、规模化生产的产品有7大板块200多种，年生产销售超10万台套各类包装机械，产品销售到全球100多个国家。集团被评为“中国包装行业百强”和“中国包装机械行业30强”企业，并连续多年荣获中国包装机械十大知名品牌。

Hualian Machinery Group was founded in 1989, now has two production bases covering an area of more than 100,000 square meters with one packaging machinery high and new technology R&D Center. There are 7 categories with more than 200 kinds of products which have formed series and have been put into lot production, including sealer, vacuum packaging machine, carton sealer, strapping machine, shrinking packaging machine, automatic packaging machine and so on. Hualian manufactures and sales more than 100,000 sets of variety of packaging machines per year and export to over 100 countries. We have rich experience in OEM. Company has passed ISO9001:2008 Quality Management System and ISO14001 Environmental Management System and OHSAS18001 Occupational Health Management System and main products have obtained European CE certificate. In 2017 Hualian passed BSCI certificate from UL company.





真空包装机

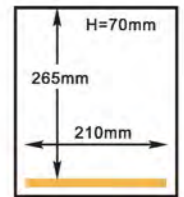
VACUUM PACKAGING MACHINE



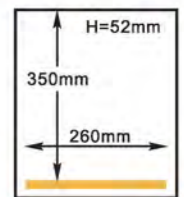
HVC SERIES 单室真空包装机

SINGLE CHAMBER VACUUM PACKAGING MACHINE

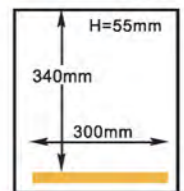
Parameters	HVC-210T/1D
电源电压(V/Hz)Voltage	AC 220/50 110/60
真空泵电机功率(W) Motor Power	150
热封功率(W) Sealing power	100
极限真空(KPa) Ultimate Vacuum Pressure	1
热封宽度(mm) Sealing Width	5 or 2×3 or 3+封切 (cut-off)
真空泵排气量(m³/h) Pump Capacity	4
真空室尺寸(L×W×H)(mm) Chamber Dimensions	240×305×75
真空室材质 Material for Vacuum Chamber	SUS304
外形尺寸(L×W×H)(mm) External Dimensions	305×442×245
净重(kg) Net Weight	约(Approx.)21



Parameters	HVC-260T/1A
电源电压(V/Hz)Voltage	AC 220/50 110/60
真空泵电机功率(W) Motor Power	250
热封功率(W) Sealing power	150
极限真空(KPa) Ultimate Vacuum Pressure	1
热封宽度(mm) Sealing Width	5 or 2×3 or 3+封切 (cut-off)
真空泵排气量(m³/h) Pump Capacity	8
真空室尺寸(L×W×H)(mm) Chamber Dimensions	285×389×100
真空室材质 Material for Vacuum Chamber	SUS304
外形尺寸(L×W×H)(mm) External Dimensions	358×492×360
净重(kg) Net Weight	约(Approx.)34.5

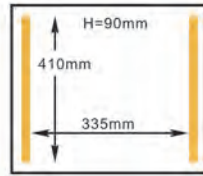


Parameters	HVC-300T/1A
电源电压(V/Hz)Voltage	AC 220/50 110/60
真空泵电机功率(W) Motor Power	370
热封功率(W) Sealing power	150
极限真空(KPa) Ultimate Vacuum Pressure	1
热封宽度(mm) Sealing Width	5 or 2×3 or 3+封切 (cut-off)
真空泵排气量(m³/h) Pump Capacity	10
真空室尺寸(L×W×H)(mm) Chamber Dimensions	320×380×115
真空室材质 Material for Vacuum Chamber	SUS304
外形尺寸(L×W×H)(mm) External Dimensions	405×482×382
净重(kg) Net Weight	约(Approx.)47

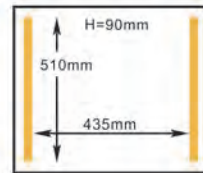




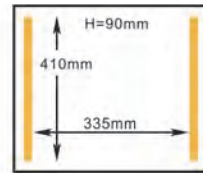
单室真空包装机 HVC SERIES SINGLE CHAMBER VACUUM PACKAGING MACHINE



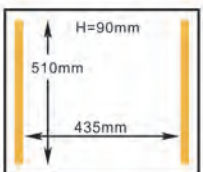
Parameters	HVC-410T/2A
电源电压(V/Hz)Voltage	AC 380/50 220/50 110/60
真空泵电机功率(W) Motor Power	750
热封功率(W) Sealing power	500
极限真空(KPa) Ultimate Vacuum Pressure	1
热封宽度(mm) Sealing Width	10 or 2×3 or 3+封切 (cut-off)
真空泵排气量(m³/h) Pump Capacity	20
真空室尺寸(L×W×H)(mm) Chamber Dimensions	450×450×140
真空室材质 Material for Vacuum Chamber	SUS304
外形尺寸(L×W×H)(mm) External Dimensions	545×550×475
净重(kg) Net Weight	约(Approx.)74



Parameters	HVC-510T/2A
电源电压(V/Hz)Voltage	AC 380/50 220/50 110/60
真空泵电机功率(W) Motor Power	750
热封功率(W) Sealing power	600
极限真空(KPa) Ultimate Vacuum Pressure	1
热封宽度(mm) Sealing Width	10 or 2×3 or 3+封切 (cut-off)
真空泵排气量(m³/h) Pump Capacity	20
真空室尺寸(L×W×H)(mm) Chamber Dimensions	550×550×150
真空室材质 Material for Vacuum Chamber	SUS304
外形尺寸(L×W×H)(mm) External Dimensions	645×650×485
净重(kg) Net Weight	约(Approx.)91



Parameters	HVC-410F/2A
电源电压(V/Hz)Voltage	AC 380/50 220/50 110/60
真空泵电机功率(W) Motor Power	750
热封功率(W) Sealing power	500
极限真空(KPa) Ultimate Vacuum Pressure	1
热封宽度(mm) Sealing Width	10 or 2×3 or 3+封切 (cut-off)
真空泵排气量(m³/h) Pump Capacity	20
真空室尺寸(L×W×H)(mm) Chamber Dimensions	450×450×140
真空室材质 Material for Vacuum Chamber	SUS304
外形尺寸(L×W×H)(mm) External Dimensions	520×550×1000
净重(kg) Net Weight	约(Approx.)89



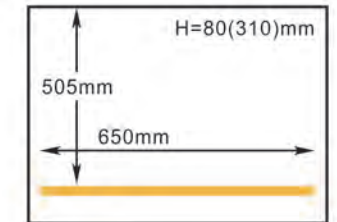
Parameters	HVC-510F/2A
电源电压(V/Hz)Voltage	AC 380/50 220/50 110/60
真空泵电机功率(W) Motor Power	750
热封功率(W) Sealing power	600
极限真空(KPa) Ultimate Vacuum Pressure	1
热封宽度(mm) Sealing Width	10 or 2×3 or 3+封切 (cut-off)
真空泵排气量(m³/h) Pump Capacity	20
真空室尺寸(L×W×H)(mm) Chamber Dimensions	550×550×150
真空室材质 Material for Vacuum Chamber	SUS304
外形尺寸(L×W×H)(mm) External Dimensions	620×650×1010
净重(kg) Net Weight	约(Approx.)110

注：如需充气功能，订货时在型号后面加上字母“G”。
Note: Letter "G" in the model stands for function of gas flushing.

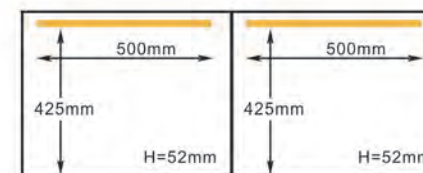


HVC SERIES 单室真空包装机 SINGLE CHAMBER VACUUM PACKAGING MACHINE

Parameters	HVC-650F/1D
电源电压(V/Hz)Voltage	AC 380/50
真空泵电机功率(W) Motor Power	1100
热封功率(W) Sealing Power	500
热封长度(mm) Sealing Length	650
热封宽度(mm) Sealing Width	10 or 5 or 2×3
极限真空(KPa) Ultimate Vacuum Pressure	1
真空室材质 Material for Vacuum Chamber	SUS304
真空泵排气量(m³/h) Pump Capacity	40
包装物料厚度(mm) Thickness of the material	25-80
真空室尺寸(L×W×H)(mm) Chamber Dimension	740×567×83
外形尺寸(L×W×H)(mm) External Dimensions	1012×705×995
净重(kg) Net Weight	约(Approx.)220



DZK-500/S 双室真空包装机 DOUBLE CHAMBERS VACUUM PACKAGING MACHINE



Parameters	DZK-500/S
电源电压(V/Hz)Voltage	AC 380/50 220/50
真空泵电机功率(W) Motor Power	1500
热封功率(W) Sealing Power	600
极限真空(KPa) Ultimate Vacuum Pressure	1
热封宽度(mm) Sealing Width	10 or 2×3 or 3+封切 (cut-off)
真空泵排气量(m³/h) Pump Capacity	2×20
真空室尺寸(L×W×H)(mm) Chamber Dimensions	550×500×180
真空室材质 Material for Vacuum Chamber	SUS304
外形尺寸(L×W×H)(mm) External Dimensions	1690×710×1055
净重(kg) Net Weight	约(Approx.)220

注：如需充气功能，订货时在型号后面加上字母“G”。
Note: Letter "G" in the model stands for function of gas flushing.

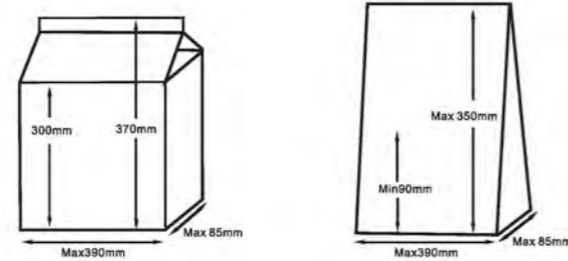


立式单室真空包装机 HVV SERIES VERTICAL VACUUM PACKAGING MACHINE



Parameters	HVV-410T/1A
电源电压(V/Hz)Voltage	AC 380/50 220/50 110/60
真空泵电机功率(W) Motor Power	750
热封功率(W) Sealing Power	450
极限真空(KPa) Ultimate Vacuum Pressure	1
热封宽度(mm) Sealing Width	10 or 5 or 2×3
真空泵排气量(m³/h) Pump Capacity	20
真空室材质 Material for Vacuum Chamber	SUS304
外形尺寸(L×W×H)(mm) External Dimensions	540×545×845
净重(kg) Net Weight	约(Approx.)90

注：如需充气功能，订货时在型号后面加上“G”。
Note: Letter "G" in the model stands for function of gas flushing.



Parameters	HVV-610F/1B
电源电压(V/Hz)Voltage	AC 380/50 220/50
真空泵电机功率(W) Motor Power	1500
热封功率(W) Sealing Power	500
极限真空(KPa) Ultimate Vacuum Pressure	1
热封宽度(mm) Sealing Width	10 or 2×3 or 3+封切 (cut-off)
热封长度(mm) Sealing Length	610
输送台宽度(mm) Conveyor width	235
真空袋最大长度(mm) Max. Vacuum bag length	720
真空泵排气量(m³/h) Pump Capacity	63
真空室尺寸(L×W×H)(mm) Chamber Dimension	700×980×356
外形尺寸(L×W×H)(mm) External Dimensions	730×1300×1346
净重(kg) Net Weight	约(Approx.)335

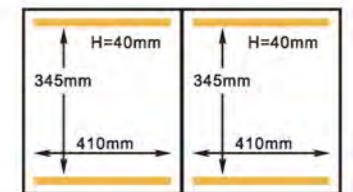
注：如需充气功能，订货时在型号后面加上“G”。
Note: Letter "G" in the model stands for function of gas flushing.



HVC-410 SERIES 双室真空包装机 DOUBLE CHAMBERS VACUUM PACKAGING MACHINE

Parameters	HVC-410S/2A
电源电压(V/Hz)Voltage	AC 380/50 220/50 110/60
真空泵电机功率(W) Motor Power	750
热封功率(W) Sealing Power	500
极限真空(KPa) Ultimate Vacuum Pressure	1
热封宽度(mm) Sealing Width	10 or 2×3 or 3+封切 (cut-off)
真空泵排气量(m³/h) Pump Capacity	20
真空室尺寸(L×W×H)(mm) Chamber Dimensions	510×500×160
真空室材质 Material for Vacuum Chamber	SUS304
外形尺寸(L×W×H)(mm) External Dimensions	1070×685×940
净重(kg) Net Weight	约(Approx.)170

注：如需充气功能，订货时在型号后面加上“G”。
Note: Letter "G" in the model stands for function of gas flushing.



Parameters	HVC-410S/2B
电源电压(V/Hz)Voltage	AC 380/50 220/50 110/60
真空泵电机功率(W) Motor Power	750
热封功率(W) Sealing Power	500
极限真空(KPa) Ultimate Vacuum Pressure	1
热封宽度(mm) Sealing Width	10 or 2×3 or 3+封切 (cut-off)
真空泵排气量(m³/h) Pump Capacity	20
真空室尺寸(L×W×H)(mm) Chamber Dimensions	510×500×150
真空室材质 Material for Vacuum Chamber	SUS304
外形尺寸(L×W×H)(mm) External Dimensions	1070×685×930
净重(kg) Net Weight	约(Approx.)170

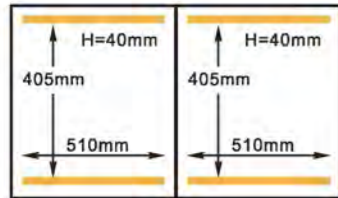
注：如需充气功能，订货时在型号后面加上“G”。
Note: Letter "G" in the model stands for function of gas flushing.





双室真空包装机 HVC-510 SERIES

DOUBLE CHAMBERS VACUUM PACKAGING MACHINE

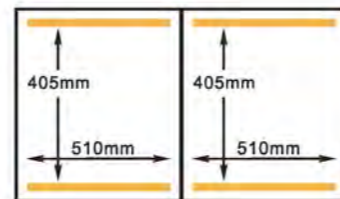


Parameters	HVC-510S/2A
电源电压(V/Hz)Voltage	AC 380/50 220/50
真空泵电机功率(W) Motor Power	1500
热封功率(W) Sealing Power	600
极限真空(KPa) Ultimate Vacuum Pressure	1
热封宽度(mm) Sealing Width	10 or 2×3 or 3+封切 (cut-off)
真空泵排气量(m ³ /h) Pump Capacity	2×20
真空室尺寸(L×W×H)(mm) Chamber Dimensions	610×550×160
真空室材质 Material for Vacuum Chamber	SUS304
外形尺寸(L×W×H)(mm) External Dimensions	1270×735×940
净重(kg) Net Weight	约(Approx.)230

注：如需充气功能，订货时在型号后面加上“G”，如需自动翻盖功能，在型号后面加上“L”。
Note: Letter "G" in the model stands for function of gas flushing. Letter "L" in the model stands for the function of auto-flapping

Parameters	HVC-510S/2B
电源电压(V/Hz)Voltage	AC 380/50 220/50
真空泵电机功率(W) Motor Power	1500
热封功率(W) Sealing Power	600
极限真空(KPa) Ultimate Vacuum Pressure	1
热封宽度(mm) Sealing Width	10 or 2×3 or 3+封切 (cut-off)
真空泵排气量(m ³ /h) Pump Capacity	2×20
真空室尺寸(L×W×H)(mm) Chamber Dimensions	610×550×150
真空室材质 Material for Vacuum Chamber	SUS304
外形尺寸(L×W×H)(mm) External Dimensions	1270×735×930
净重(kg) Net Weight	约(Approx.)230

注：如需充气功能，订货时在型号后面加上“G”，如需自动翻盖功能，在型号后面加上“L”。
Note: Letter "G" in the model stands for function of gas flushing. Letter "L" in the model stands for the function of auto-flapping

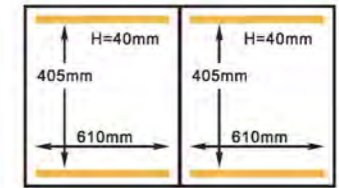


HVC-610 SERIES 双室真空包装机

DOUBLE CHAMBERS VACUUM PACKAGING MACHINE

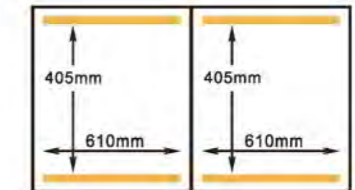
Parameters	HVC-610S/2A
电源电压(V/Hz)Voltage	AC 380/50 220/50
真空泵电机功率(W) Motor Power	1500
热封功率(W) Sealing Power	1000
极限真空(KPa) Ultimate Vacuum Pressure	1
热封宽度(mm) Sealing Width	10 or 2×3 or 3+封切 (cut-off)
真空泵排气量(m ³ /h) Pump Capacity	2×20
真空室尺寸(L×W×H)(mm) Chamber Dimensions	720×550×160
真空室材质 Material for Vacuum Chamber	SUS304
外形尺寸(L×W×H)(mm) External Dimensions	1485×735×940
净重(kg) Net Weight	约(Approx.)265

注：如需充气功能，订货时在型号后面加上“G”，如需自动翻盖功能，在型号后面加上“L”。
Note: Letter "G" in the model stands for function of gas flushing. Letter "L" in the model stands for the function of auto-flapping



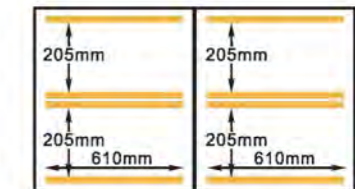
Parameters	HVC-610S/2B
电源电压(V/Hz)Voltage	AC 380/50 220/50
真空泵电机功率(W) Motor Power	1500
热封功率(W) Sealing Power	1000
极限真空(KPa) Ultimate Vacuum Pressure	1
热封宽度(mm) Sealing Width	10 or 2×3 or 3+封切 (cut-off)
真空泵排气量(m ³ /h) Pump Capacity	2×20
真空室尺寸(L×W×H)(mm) Chamber Dimensions	720×550×150
真空室材质 Material for Vacuum Chamber	SUS304
外形尺寸(L×W×H)(mm) External Dimensions	1485×735×930
净重(kg) Net Weight	约(Approx.)255

注：如需充气功能，订货时在型号后面加上“G”，如需自动翻盖功能，在型号后面加上“L”。
Note: Letter "G" in the model stands for function of gas flushing. Letter "L" in the model stands for the function of auto-flapping



Parameters	HVC-610S/4C
电源电压(V/Hz)Voltage	AC 380/50 220/50
真空泵电机功率(W) Motor Power	1100
热封功率(W) Sealing Power	2×800
极限真空(KPa) Ultimate Vacuum Pressure	1
热封宽度(mm) Sealing Width	10 or 2×3 or 3+封切 (cut-off)
真空泵排气量(m ³ /h) Pump Capacity	40
真空室尺寸(L×W×H)(mm) Chamber Dimensions	720×630×60
真空室材质 Material for Vacuum Chamber	SUS304
外形尺寸(L×W×H)(mm) External Dimensions	1485×820×910
净重(kg) Net Weight	约(Approx.)343

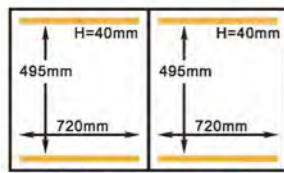
注：如需自动翻盖功能，在型号后面加上“L”。
Note: Letter "L" in the model stands for the function of auto-flapping



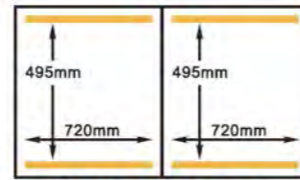


双室真空包装机 HVC-720 SERIES

DOUBLE CHAMBERS VACUUM PACKAGING MACHINE



HVC-720S/2A



HVC-720S/2B

Parameters	HVC-720S/2A	HVC-720S/2B
电源电压(V/Hz) Voltage	AC 380/50 220/50	AC 380/50 220/50
真空泵电机功率(W) Motor Power	1500	1500
热封功率(W) Sealing Power	1500	1500
极限真空(KPa) Ultimate Vacuum Pressure	1	1
热封宽度(mm) Sealing Width	10 or 2×3 or 3+封切 (cut-off)	10 or 2×3 or 3+封切 (cut-off)
真空泵排气量(m ³ /h) Pump Capacity	63	63
真空室尺寸(L×W×H)(mm) Chamber Dimensions	800×630×195	800×630×175
真空室材质 Material for Vacuum Chamber	SUS304	SUS304
外形尺寸(L×W×H)(mm) External Dimensions	1670×850×1000	1670×850×975
净重(kg) Net Weight	约(Approx.)375	约(Approx.)375

注: 如需充气功能, 订货时在型号后面加上“G”, 如需自动翻盖功能, 在型号后面加上“L”。

Note: Letter "G" in the model stands for function of gas flushing. Letter "L" in the model stands for the function of auto-flapping

HVC-820 SERIES 双室真空包装机

DOUBLE CHAMBERS VACUUM PACKAGING MACHINE

Parameters	HVC-820S/2B
电源电压(V/Hz) Voltage	AC 380/50 220/50
真空泵电机功率(W) Motor Power	2200
热封功率(W) Sealing Power	2000
极限真空(KPa) Ultimate Vacuum Pressure	1
热封宽度(mm) Sealing Width	10 or 2×3 or 3+封切 (cut-off)
真空泵排气量(m ³ /h) Pump Capacity	100
真空室尺寸(L×W×H)(mm) Chamber Dimensions	910×800×225
真空室材质 Material for Vacuum Chamber	SUS304
外形尺寸(L×W×H)(mm) External Dimensions	1890×1030×1000
净重(kg) Net Weight	约(Approx.)500

注: 如需充气功能, 订货时在型号后面加上“G”, 如需自动翻盖功能, 在型号后面加上“L”。

Note: Letter "G" in the model stands for function of gas flushing. Letter "L" in the model stands for the function of auto-flapping



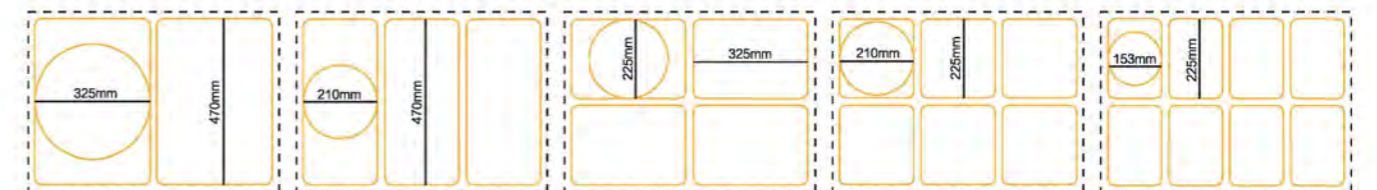
DT-6050 热水收缩机

HOT WATER SHRINK PACKAGING MACHINE

Parameters	DT-6050
工作电压(V/Hz) Voltage	AC 380/50 220/50
加热功率(Kw) Heating Power	2×6
电机功率(W) Motor Power	200
水箱容量(L) Water Tank Capacity	149
工作台高度(mm) Work Table Height	850
工作台行程(mm) Work Table Travel	330
最大提升重量(Kg) Maximum Lifting Weight	50
水温调节范围(°C) Water Temperature Range	0~100
水箱尺寸(mm) (L×W×H) Water Tank Dimension	500×600×498
外形尺寸(mm) (L×W×H) Overall Dimension	670×700×950(1240)
净重(kg) Net Weight	约(Approx.)120



Parameters	HVC-760FS
电源电压(V/Hz) Voltage	AC 380/50
真空泵电机功率(W) Motor Power	2200
热封功率(W) Sealing Power	6000
薄膜宽度(mm) Film Width	760
极限真空(KPa) Ultimate Vacuum Pressure	1
真空室材质 Material for Vacuum Chamber	铝合金 Aluminium Alloy
机壳材质 Material for Enclosure	SUS304
真空泵排气量(m ³ /h) Pump Capacity	100
真空室尺寸(L×W×H)(mm) Chamber Dimension	710×510×60
外形尺寸(L×W×H)(mm) External Dimensions	925×980×1135(1420)
净重(kg) Net Weight	约(Approx.)390





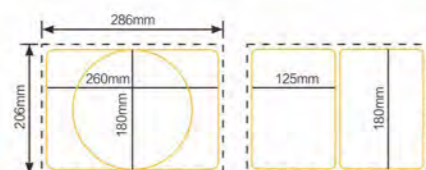
盒式真空气调包装机 HVT SERIES

TRAY VACUUM GAS FLUSHING PACKAGING MACHINE

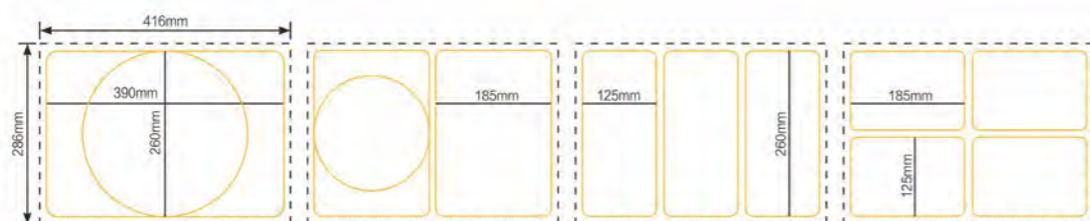


HVT-240TS

HVT-240TS



HVT-320TS

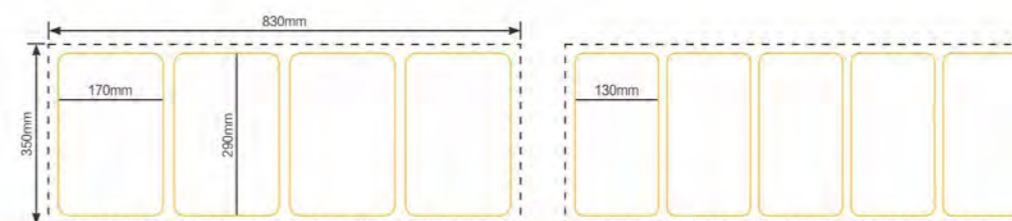


Parameters	HVT-240TS	HVT-320TS
电源电压(V/Hz)Voltage	AC 220/50 110/60	AC 220/50 110/60
功率(W) Power	1350	2150
卷膜宽度(mm) Film Width	250	320
最大卷膜直径(mm) Max. Diameter of Roll Film	150	150
真空泵排气量 (m ³ /h) Pump capacity	10	20
温度调整范围 (°C) Working temperature	0-300	0-300
真空室尺寸(L×W×H)(mm) Chamber Dimensions	288×208×58	418×288×58
外形尺寸(L×W×H)(mm) External Dimensions	500×370×435	630×450×435



HVT SERIES 盒式真空气调包装机

TRAY VACUUM GAS FLUSHING PACKAGING MACHINE



Parameters	HVT-350AZ
电源电压(V/Hz)Voltage	三相 (3PH) AC 380/50
热封功率(W) Sealing Power	4000
气源压力(MPa) Gas Power	0.6-0.8
卷膜宽度(mm) Film Width	350
最大卷膜直径(mm) Max. Diameter of Roll Film	300
输送台面离地高度(mm) Distance from the conveyor to the floor	950
包装能力(times/min) Capacity	真空、充气+热封5-6次/分钟; Vacuum, gas flushing+sealing 5-6 cycles/min.
外形尺寸(L×W×H)(mm) External Dimensions	3540×900×1710
净重(kg) Net Weight	约(Approx.)1340



盒式真空气调包装机 HVT SERIES

TRAY VACUUM GAS FLUSHING PACKAGING MACHINE



HVT-M

Parameters	HVT-450M	HVT-550M
电源电压(V/Hz)Voltage	三相 (3PH) AC 380/50 220/60	
热封功率(W) Sealing Power	2000	2000
气源压力(MPa) Gas Power	0.5-0.6	0.5-0.6
最大卷膜宽度(mm) Max. Width of Roll Film	450	550
最大卷膜直径(mm) Max. Diameter of Roll Film	300	300
包装能力(times/min) Capacity	仅热封10-12次/分钟; 真空、充气+热封3-5次/分钟; Only sealing 10-12 times/min. Vacuum, gas flushing+sealing 3-5 cycles/min.	
充气气体 Gas flushing	N ₂ or N ₂ +Co ₂	
工作室尺寸(L×W)(mm) Chamber Dimensions	450× (200-400)	550× (200-600)
外形尺寸(L×W×H)(mm) External Dimensions	1270×1085×1575	1370×1185×1575
净重(kg) Net Weight	约(Approx.)670	约(Approx.)750
真空泵排气量 (m ³ /h) Pump capacity	63	63



HVT SERIES 盒式真空气调包装机

TRAY VACUUM GAS FLUSHING PACKAGING MACHINE



HVT-A

Parameters	HVT-350A	HVT-450A	HVT-550A
电源电压(V/Hz)Voltage	三相 (3PH) AC 380/50 220/60		
热封功率(W) Sealing Power	2000	2000	2000
气源压力(MPa) Gas Power	0.5-0.6	0.5-0.6	0.5-0.6
最大卷膜宽度(mm) Max. Width of Roll Film	350	450	550
最大卷膜直径(mm) Max. Diameter of Roll Film	300	300	300
包装能力(times/min) Capacity	仅热封10-12次/分钟; 真空、充气+热封3-5次/分钟; Only sealing 10-12 times/min. Vacuum, gas flushing+sealing 3-5 cycles/min.		
充气气体 Gas flushing	N ₂ or N ₂ +Co ₂		
工作室尺寸(L×W)(mm) Chamber Dimensions	350× (100-400)	450× (200-400)	550× (200-600)
外形尺寸(L×W×H)(mm) External Dimensions	2700×850×1620	2800×950×1620	2960×1050×1620
净重(kg) Net Weight	约(Approx.)600	约(Approx.)670	约(Approx.)750
真空泵排气量(m ³ /h) Pump capacity	63	63	63

注: 可选配贴体包装功能。
Note: Skin pack function is optional.



全自动拉伸膜真空包装机HVR-A

AUTOMATIC THERMOFORMING VACUUM PACKAGING MACHINE



HVR-A

性能与说明:

- HVR-A系列全自动拉伸膜真空包装机能连续自动完成软膜成型、物料充填、抽真空、封口、分割等工序，对物料进行热封真空包装或者气调包装（选配）。
- 广泛应用于各种休闲食品、肉制品、医药产品、五金元件、医疗器械等产品的真空包装或者气调包装（选配）。
- 采用可更换式模具，可使一台设备用于多种规格的模具。
- 配有废膜回收装置，保持环境卫生。
- 光电跟踪，图案对正精准，可选用光膜或彩盖膜进行包装。

Description:

- HVR-A Series Automatic Thermoforming Vacuum Packaging Machine can continuously finish the procedure of film forming, automatic or manual products feeding, vacuuming, sealing, cutting, etc.; it will skin pack the product or do MAP package (optional).
- It is widely used to skin/MAP pack the products like kinds of snacks, meat, medical products, hardware, medical equipment, etc.
- It adopts removable moulds which enable single machine to meet different sizes of moulds.
- It equips with recycling device for waste film and ensure healthy environment.
- It works with sensor for accurate positioning. It is available for transparent film or color film to pack.

Parameters	HVR-320A	HVR-420A	HVR-520A
电源电压(V/Hz)Voltage	AC 380/50	AC 380/50	AC 380/50
热封功率(W) Sealing Power	2000	2000	2000
气源压力(MPa) Gas Power	0.5-0.6	0.5-0.6	0.5-0.6
冷却方式 Cooling Type	水冷 Water-cooling		
上膜宽度(mm) Upper Film Width	292	392	492
下膜宽度(mm) Lower Film Width	322	422	522
物料类型 Material type	固体 Solid	固体 Solid	固体 Solid
最大成型深度(mm) Max. Stretch depth	≤80	≤80	≤80
包装能力(times/min) Capacity	真空+热封4-6次/分钟; Vacuum, gas flushing+sealing 4-6 cycles/min.		
工作室尺寸(L×W)(mm) Chamber Dimensions	300 × (200-400)	400 × (200-400)	500 × (200-600)
外形尺寸(L×W×H)(mm) External Dimensions	4500×950×2000	4500×1050×2000	4500×1150×2000
净重(kg) Net Weight	约(Approx.)1500	约(Approx.)1800	约(Approx.)2000



HVR-S 双铝膜拉伸真空包装机

DOUBLE ALUMINUM FILM THERMOFORMING VACUUM PACKAGING MACHINE



HVR-S

性能与说明:

- HVR-S系列双铝膜拉伸真空包装机能连续自动完成下铝膜冷冲压成型、上铝膜热成型、自动或人工充填物料、抽真空、封口、分割等工序，对物料进行热封真空包装。
- 广泛应用于各种休闲食品、肉制品、医药产品、五金元件、医疗器械等产品的真空包装。
- 配有包装袋冲圆角，易撕口及包装袋挂孔装置，使包装袋外形更美观实用。
- 采用可更换式模具，可使一台设备用于多种规格的模具。
- 配有废膜回收装置，保持环境卫生。
- 上下放膜部分均配有光电跟踪及薄膜纠偏装置，保证上下膜的图案能够对正。

Description:

- HVR-S Series Double-Aluminum Film Thermoforming Vacuum Packaging Machine can continuously finish the process of cold stamping forming of bottom aluminum film, heating forming of upper aluminum film, manual or automatic products feeding, vacuuming, sealing, cutting, etc. It will skin pack the product.
- It is widely used to skin pack the products like kinds of snacks, meat, medical products, hardware, medical equipment, etc.
- It is equipped with the device to do round angle, easy open and hang hole to the bag, which makes the bag prettier and practical.
- It adopts removable moulds which enable single machine to meet different sizes of moulds.
- It equips with recycling device for waste film and ensure healthy environment.
- Sensors and deviation rectification device for film fixed at the upper and bottom film holder ensure correct alignment of the pictures in the upper and bottom film.

Parameters	HVR-320S	HVR-420S	HVR-520S
电源电压(V/Hz)Voltage	AC 380/50	AC 380/50	AC 380/50
热封功率(W) Sealing Power	2000	2000	2000
气源压力(MPa) Gas Power	0.5-0.6	0.5-0.6	0.5-0.6
冷却方式 Cooling Type	水冷 Water-cooling		
上膜宽度(mm) Upper Film Width	292	392	492
下膜宽度(mm) Lower Film Width	322	422	522
包装材料 Packing material	铝塑复合膜 Aluminium compound film		
物料类型 Material type	固体 Solid	固体 Solid	固体 Solid
上膜最大成型深度(mm) The max. Forming depth of upper film	≤5	≤5	≤5
下膜最大成型深度(mm) The max. Forming depth of bottom film	≤10	≤10	≤10
包装能力(times/min) Capacity	真空+热封4-6次/分钟; Vacuum, gas flushing+sealing 4-6 cycles/min.		
工作室尺寸(L×W)(mm) Chamber Dimensions	200 × (100-400)	300 × (200-400)	400 × (200-600)
外形尺寸(L×W×H)(mm) External Dimensions	5000×950×2000	6000×1050×2000	6000×1150×2000
净重(kg) Net Weight	约(Approx.)1500	约(Approx.)2000	约(Approx.)2500



台式真空包装机 DZ/T SERIES TABLE-STYLE VACUUM PACKAGING MACHINE



DZ-400/T



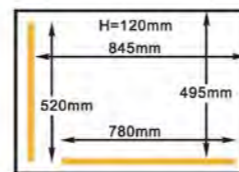
DZ-500/T

Parameters	DZ-400/T	DZ-500/T
电源电压(V/Hz)Voltage	AC 380/50 220/50 110/60	AC 380/50 220/50 110/60
真空泵电机功率(W) Motor Power	750	750
热封功率(W) Sealing Power	450	450
极限真空(KPa) Ultimate Vacuum Pressure	1	1
热封宽度(mm) Sealing Width	10 or 2×3 or 3+封切 (cut-off)	10 or 2×3 or 3+封切 (cut-off)
真空泵排气量(m³/h) Pump Capacity	20	20
真空室尺寸(L×W×H)(mm) Chamber Dimensions	406×456×190	506×556×190
真空室材质 Material for Vacuum Chamber	SUS304	SUS304
外形尺寸(L×W×H)(mm) External Dimensions	530×583×495	630×683×495
净重(kg) Net Weight	约(Approx.)80	约(Approx.)92

注：如需充气功能，订货时在DZ后面加上字母“Q”。
Note: Letter “Q” in the model stands for function of gas flushing.

Parameters	DZ-900/T
电源电压(V/Hz)Voltage	AC 380/50 220/50
真空泵电机功率(W) Motor Power	1500
热封功率(W) Sealing Power	1000
极限真空(KPa) Ultimate Vacuum Pressure	1
热封宽度(mm) Sealing Width	10 or 2×3 or 3+封切 (cut-off)
真空泵排气量(m³/h) Pump Capacity	2×20
真空室尺寸(L×W×H)(mm) Chamber Dimensions	906×556×190
真空室材质 Material for Vacuum Chamber	SUS304
外形尺寸(L×W×H)(mm) External Dimensions	1030×683×515
净重(kg) Net Weight	约(Approx.)195

注：如需充气功能，订货时在DZ后面加上字母“Q”。
Note: Letter “Q” in the model stands for function of gas flushing.



DZ-900/T



DZ SERIES 单室真空包装机 SINGLE CHAMBER VACUUM PACKAGING MACHINE

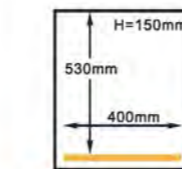
Parameters	DZ-400/2E	DZ-500/2E
电源电压(V/Hz)Voltage	AC 380/50 220/50 110/60	
真空泵电机功率(W) Motor Power	750	750
热封功率(W) Sealing Power	450	600
极限真空(KPa) Ultimate Vacuum Pressure	1	1
热封宽度(mm) Sealing Width	10 or 2×3 or 3+封切 (cut-off)	
真空泵排气量(m³/h) Pump Capacity	20	20
真空室尺寸(L×W×H)(mm) Chamber Dimensions	438×420×135	520×520×132
真空室材质 Material for Vacuum Chamber	SUS304	SUS304
外形尺寸(L×W×H)(mm) External Dimensions	483×535×1070	580×656×1000
净重(kg) Net Weight	约(Approx.)91	约(Approx.)112



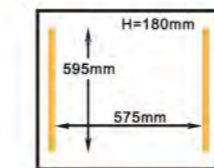
DZ-400/2E



DZ-500/2E



DZ-400/DC



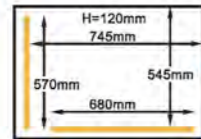
DZ-600/S



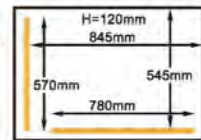
Parameters	DZ-400/DC	DZ-600/S
电源电压(V/Hz)Voltage	AC 380/50 220/50 110/60	
真空泵电机功率(W) Motor Power	750	1500
热封功率(W) Sealing Power	450	1000
极限真空(KPa) Ultimate Vacuum Pressure	1	1
热封宽度(mm) Sealing Width	10 or 2×3 or 3+封切 (cut-off)	
真空泵排气量(m³/h) Pump Capacity	20	2×20
真空室尺寸(L×W×H)(mm) Chamber Dimensions	420×590×220	700×620×250
真空室材质 Material for Vacuum Chamber	SUS304	SUS304
外形尺寸(L×W×H)(mm) External Dimensions	525×700×990	810×730×990
净重(kg) Net Weight	约(Approx.)93	约(Approx.)173



单室真空包装机 DZ/2L SERIES SINGLE CHAMBER VACUUM PACKAGING MACHINE



DZ-800/2L



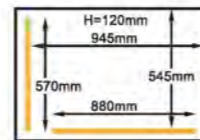
DZ-900/2L

Parameters	DZ-800/2L	DZ-900/2L
电源电压(V/Hz)Voltage	AC 380/50 220/50	
真空泵电机功率(W) Motor Power	1500	1500
热封功率(W) Sealing Power	1000	1000
极限真空(KPa) Ultimate Vacuum Pressure	1	1
热封宽度(mm) Sealing Width	10 or 2×3 or 3+封切 (cut-off)	
真空泵排气量(m ³ /h) Pump Capacity	2×20	2×20
真空室尺寸(L×W×H)(mm) Chamber Dimensions	806×606×190	906×606×190
真空室材质 Material for Vacuum Chamber	SUS304	SUS304
外形尺寸(L×W×H)(mm) External Dimensions	930×733×1010	1030×733×1010
净重(kg) Net Weight	约(Approx.)190	约(Approx.)202

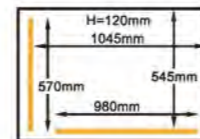
注：如需充气功能，订货时在DZ后面加上字母“Q”。
Note: Letter "Q" in the model stands for function of gas flushing.

Parameters	DZ-1000/2L	DZ-1100/2L
电源电压(V/Hz)Voltage	AC 380/50 220/50	
真空泵电机功率(W) Motor Power	1500	1500
热封功率(W) Sealing Power	1500	1500
极限真空(KPa) Ultimate Vacuum Pressure	1	1
热封宽度(mm) Sealing Width	10 or 2×3 or 3+封切 (cut-off)	
真空泵排气量(m ³ /h) Pump Capacity	2×20	2×20
真空室尺寸(L×W×H)(mm) Chamber Dimensions	1006×606×215	1106×606×215
真空室材质 Material for Vacuum Chamber	SUS304	SUS304
外形尺寸(L×W×H)(mm) External Dimensions	1130×733×1040	1230×733×1040
净重(kg) Net Weight	约(Approx.)222	约(Approx.)230

注：如需充气功能，订货时在DZ后面加上字母“Q”。
Note: Letter "Q" in the model stands for function of gas flushing.



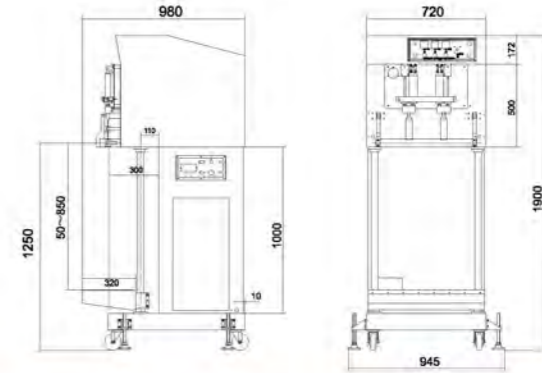
DZ-1000/2L



DZ-1100/2L



DZQ SERIES 多功能抽气包装机 MULTI-FUNCTIONAL GAS EXTRACTING PACKAGING MACHINE



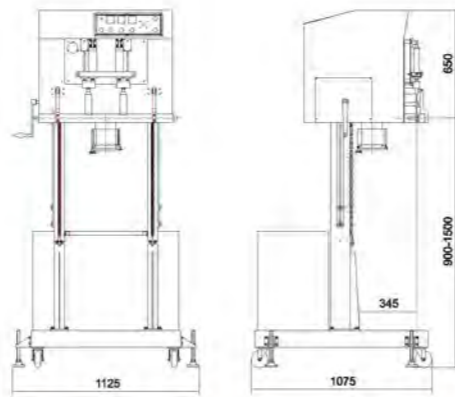
Parameters	DZQ-600L	DZQ-800L	DZQ-1000L
电源电压 (V/Hz)Voltage	AC 380/50 220/50	AC 380/50 220/50	AC 380/50 220/50
热封功率(W) Sealing Power	500	600	800
真空泵电机功率(W) Motor Power	750	750	750
空压机功率(W) Air Compressor Power	600	600	600
封口长度(mm) Sealing Length	600	800	1000
封口宽度(mm) Sealing Width	10 or 2×5 or 3+封切 (cut-off)		
封口中心到地面距离(mm) Distance from Sealing Center to the Floor	1250	1250	1250
真空泵排气量(m ³ /h) Pump Capacity	20	20	20
薄膜厚度(单层)(mm) Film Thickness (Single Layer)	≤0.12	≤0.12	≤0.12
外形尺寸(L×W×H)(mm) External Dimensions	980×945×1900	980×945×1900	980×1135×1900
净重(Kg) Net Weight	225	230	235

Parameters	DZQ-600L/S	DZQ-800L/S	DZQ-1000L/S
电源电压 (V/Hz)Voltage	AC 380/50 220/50	AC 380/50 220/50	AC 380/50 220/50
热封功率(W) Sealing Power	600	1000	1500
真空泵电机功率(W) Motor Power	750	750	750
空压机功率(W) Air Compressor Power	600	600	600
封口长度(mm) Sealing Length	600	800	1000
封口宽度(mm) Sealing Width	10 or 2×5	10 or 2×5	10 or 2×5
封口中心到地面距离(mm) Distance from Sealing Center to the Floor	1250	1250	1250
真空泵排气量(m ³ /h) Pump Capacity	20	20	20
薄膜厚度(单层)(mm) Film Thickness (Single Layer)	≤0.18	≤0.18	≤0.18
外形尺寸(L×W×H)(mm) External Dimensions	980×945×1900	980×945×1900	980×1135×1900
净重(Kg) Net Weight	225	230	235



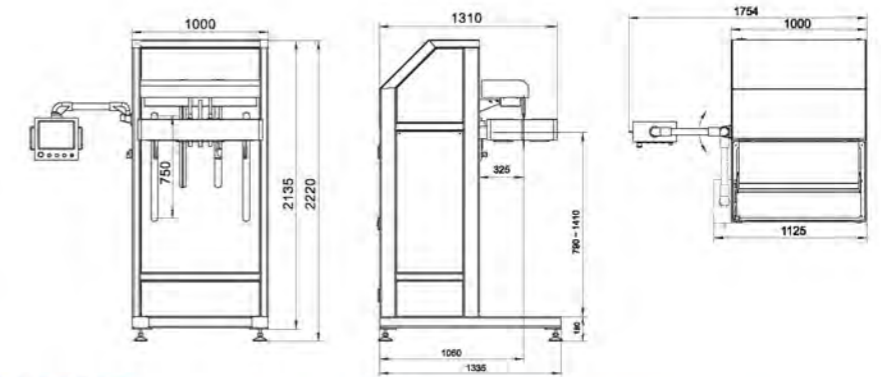
多功能抽气包装机 DZQ SERIES

MULTI-FUNCTIONAL GAS EXTRACTING PACKAGING MACHINE



Parameters	DZQ-600LD	DZQ-800LD	DZQ-1000LD
电源电压(V/Hz)Voltage	AC 380/50 220/50	AC 380/50 220/50	AC 380/50 220/50
热封功率(W) Sealing Power	500	600	800
真空泵电机功率(W) Motor Power	750	750	750
封口长度(mm) Sealing Length	600	800	1000
封口宽度(mm) Sealing Width	10 or 2×5 or 3+封切 (cut-off)		
封口中心到地面距离(mm) Distance from Sealing Center to the Floor	900~1500	900~1500	900~1500
真空泵排气量(m ³ /h) Pump Capacity	20	20	20
薄膜厚度(单层)(mm) Film Thickness (Single Layer)	≤0.12	≤0.12	≤0.12
外形尺寸(L×W×H)(mm) External Dimensions	1125×1075×2150	1125×1075×2150	1135×1075×2150
净重(Kg) Net Weight	305	325	330

Parameters	DZQ-600LD/S	DZQ-800LD/S	DZQ-1000LD/S
电源电压(V/Hz)Voltage	AC 380/50 220/50	AC 380/50 220/50	AC 380/50 220/50
热封功率(W) Sealing Power	600	1000	1500
真空泵电机功率(W) Motor Power	750	750	750
封口长度(mm) Sealing Length	600	800	1000
封口宽度(mm) Sealing Width	10 or 2×5	10 or 2×5	10 or 2×5
封口中心到地面距离(mm) Distance from Sealing Center to the Floor	900~1500	900~1500	900~1500
真空泵排气量(m ³ /h) Pump Capacity	20	20	20
薄膜厚度(单层)(mm) Film Thickness (Single Layer)	≤0.18	≤0.18	≤0.18
外形尺寸(L×W×H)(mm) External Dimensions	1125×1075×2150	1125×1075×2150	1135×1075×2150
净重(Kg) Net Weight	305	325	330

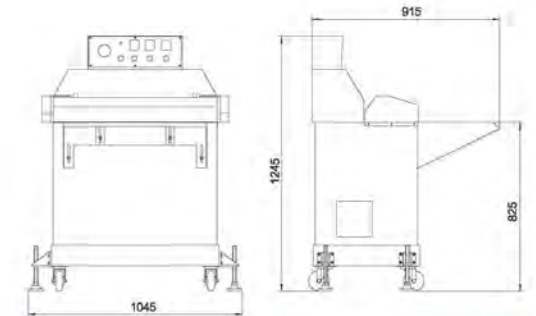


DZQ-600A

Parameters	DZQ-600A		DZQ-800A	
电源电压(V/Hz)Voltage	AC 380/50		AC 380/50	
整机功率(W) Motor Power	4000		4000	
热封功率(W) Sealing Power	直热式 Direct heating type	瞬热式 Instantaneous heating type	直热式 Direct heating type	瞬热式 Instantaneous heating type
	1000	500	1000	600
热封长度(mm) Sealing Length	680		820	
封口宽度(mm) Sealing Width	10 or 2×3		10 or 2×3	
包装能力 (cycle/min) Packaging capacity	1~2次/分钟		1~2次/分钟	
真空泵排气量(m ³ /h) Pump Capacity	20		20	
气源压力(MPa) Air Compressor	0.5~0.6		0.5~0.6	
外形尺寸(L×W×H)(mm) External Dimensions	1335×1125×2220		1335×1184×2220	
净重(Kg) Net Weight	约(Approx.) 700		约(Approx.) 755	

DZ(Q)-800W 抽气包装机

Air Extractor Packaging Machine



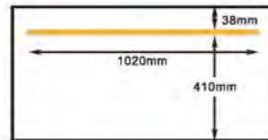
Parameters	DZ(Q)-800W	DZ(Q)-1000W	DZ(Q)-800W(S)	DZ(Q)-1000W(S)
电源电压(V/Hz)Voltage	AC 380/50 220/50	AC 380/50 220/50	AC 380/50 220/50	AC 380/50 220/50
真空泵电机功率(W) Motor Power	750	750	750	750
热封功率(W) Sealing Power	600	800	1000	1500
封口长度(mm) Sealing Length	800	1000	800	1000
封口宽度(mm) Sealing Width	10 or 2×5 or 3+封切 (cut-off)		10 or 2×5	10 or 2×5
真空泵排气量(m ³ /h) Pump Capacity	20	20	20	20
薄膜厚度(单层)(mm) Film Thickness (Single Layer)	≤0.18	≤0.18	≤0.18	≤0.18
外形尺寸(L×W×H)(mm) External Dimensions	1045×930×1245	1111×930×1245	1045×930×1245	1111×930×1245
净重(Kg) Net Weight	60	70	60	70

注：如需充气功能，订货时在DZ后面加上字母“Q”。如需双加热功能，订货时在型号后面加上“/S”。
Note: The letter "Q" in the model name stands for the function of gas filling.
The letter "S" in the model name stands for the function of double sealing.

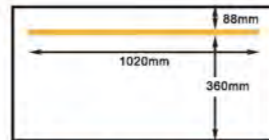


连续式真空包装机 HVB SERIES

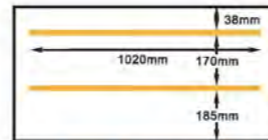
AUTOMATIC CONTINUOUS VACUUM PACKAGING MACHINE



HVB-1020F/1



HVB-1020F/1-G



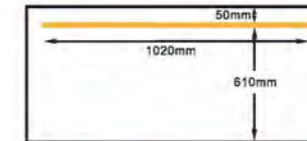
HVB-1020F/2

Parameters	HVB-1020F/1	HVB-1020F/2
电源电压(V/Hz)Voltage	AC 380/50	AC 380/50
电机功率(W) Power	550+370	550+370
热封功率(W) Sealing Power	1000	2000
极限真空(KPa) Ultimate Vacuum Pressure	1	1
每室热封条数 Number of Seal Bars for Each Chamber	1	2
冷却方式 Cooling Type	水冷 Water-cooling	水冷 Water-cooling
热封长度(mm) Sealing Length	1020	1020
热封宽度(mm) Sealing Width	10 or 2×3	10 or 2×3
适用包装袋长度(mm) length	≤390	≤190
包装能力(times/min) Capacity	3-5次/分钟	3-5次/分钟
充气功能 gas filling function	可选	无
真空泵排气量(m ³ /h) Pump Capacity	200	200
真空室尺寸(L×W×H)(mm) Chamber Dimensions	1100×500×100	1100×500×100
外形尺寸(L×W×H)(mm) External Dimensions	1770×1580×1160	1770×1580×1160
净重(kg) Net Weight	约(Approx.)580	约(Approx.)620

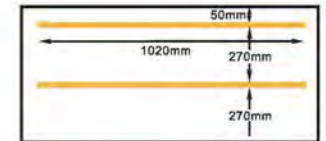


HVB SERIES 连续式真空包装机

AUTOMATIC CONTINUOUS VACUUM PACKAGING MACHINE

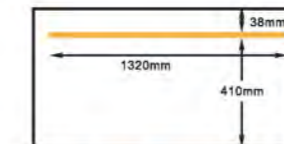


HVB-1020F/1W

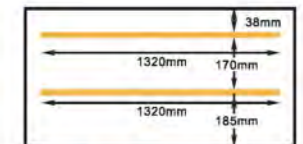


HVB-1020F/2W

Parameters	HVB-1020F/1W	HVB-1020F/2W
电源电压(V/Hz)Voltage	AC 380/50	AC 380/50
电机功率(W) Power	750+370	750+370
热封功率(W) Sealing Power	1000	2000
极限真空(KPa) Ultimate Vacuum Pressure	1	1
每室热封条数 Number of Seal Bars for Each Chamber	1	2
冷却方式 Cooling Type	水冷 Water-cooling	水冷 Water-cooling
热封长度(mm) Sealing Length	1020	1020
热封宽度(mm) Sealing Width	10 or 2×3	10 or 2×3
包装能力(times/min) Capacity	2-3次/分钟	2-3次/分钟
充气功能 gas filling function	可选	无
真空泵排气量(m ³ /h) Pump Capacity	200	200
真空室尺寸(L×W×H)(mm) Chamber Dimensions	1100×690×80	1100×690×80
外形尺寸(L×W×H)(mm) External Dimensions	1770×2080×1150	1770×2080×1150
净重(kg) Net Weight	约(Approx.)690	约(Approx.)715



HVB-1320F/1



HVB-1320F/2

Parameters	HVB-1320F/1	HVB-1320F/2
电源电压(V/Hz)Voltage	AC 380/50	AC 380/50
电机功率(W) Power	750+370	750+370
热封功率(W) Sealing Power	1500	3000
极限真空(KPa) Ultimate Vacuum Pressure	1	1
每室热封条数 Number of Seal Bars for Each Chamber	1	2
冷却方式 Cooling Type	水冷 Water-cooling	水冷 Water-cooling
热封长度(mm) Sealing Length	1320	1320
热封宽度(mm) Sealing Width	10 or 2×3	10 or 2×3
包装能力(times/min) Capacity	2-3次/分钟	2-3次/分钟
充气功能 gas filling function	可选(Optional)	无(Not available)
真空泵排气量(m ³ /h) Pump Capacity	200	200
真空室尺寸(L×W×H)(mm) Chamber Dimensions	1400×500×100	1400×500×100
外形尺寸(L×W×H)(mm) External Dimensions	2100×1600×1170	2100×1600×1170
净重(kg) Net Weight	约(Approx.)650	约(Approx.)705



WeChat
公众微信号



Official Website
官方网站

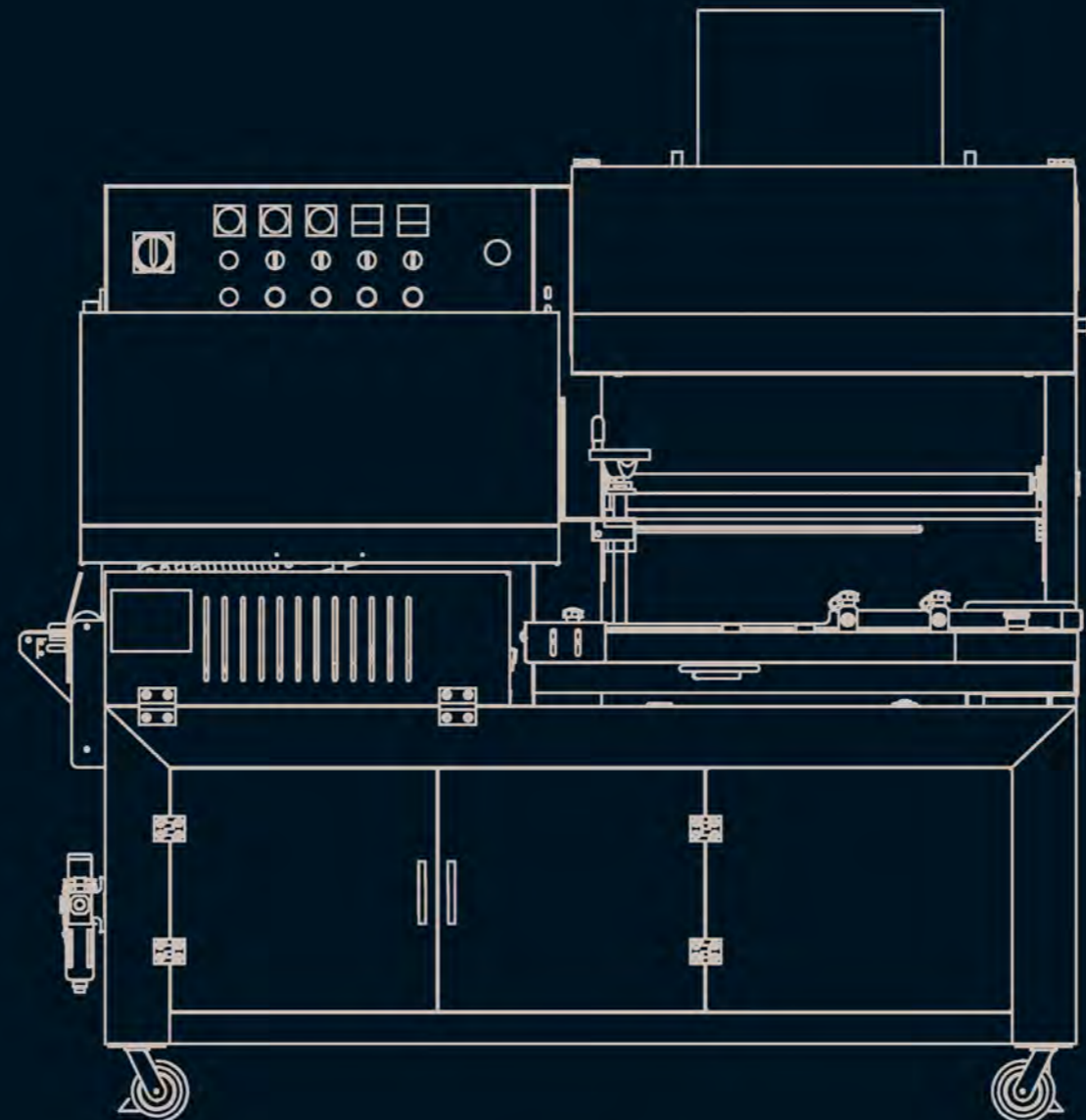


Catalogue PDF
样本PDF版



HUALIAN
MACHINERY

SHRINKING PACKAGING MACHINE 热收缩包装机



华联机械集团有限公司

地址：温州市高翔工业区大维路2号

邮编：325006

电话：0577-89989999（总机）

传真：0577-89989966

E-mail: hualian@hualian.biz

国内销售

电话：0577-89989981 89989982 89989983 89989956

传真：0577-89989968

E-mail: sales@hualian.biz

华联机械集团温州进出口有限公司

HUALIAN MACHINERY GROUP WENZHOU IMPORT&EXPORT CO.,LTD

地址：温州市高翔工业区大维路2号

Add: No.2 Dawei Road, Gaoxiang Industrial Park, Wenzhou, China

P.C.: 325006

Tel: +86-577-88627766 88627768 88608008

E-mail: hl@hualian.biz hl@hualianmachinery.com

版权所有 翻版必究 (2023.11)

华联机械集团
HUALIAN MACHINERY GROUP



Intelligent Packaging Integrated Solution System Provider
智能包装整体解决方案系统服务商



Intelligent Packaging Integrated Solution System Provider
智能包装整体解决方案系统服务商



COMPANY PROFILE 公司简介

华联机械集团创建于1989年，是经国家工商总局核准成立的无区域企业集团。集团以包装机械为主业，以智能化后道包装系统的研发制造、销售服务为核心业务，是面向全球市场的包装机械供应商。公司设有省级智能包装装备研究院、省级企业技术中心，拥有两个大型生产基地，占地10万M²。自第一台“华联牌”连续式封口机诞生以来，华联机械迄今已形成系列化、规模化生产的产品有7大板块200多种，年生产销售超10万台套各类包装机械，产品销售到全球100多个国家。集团被评为“中国包装行业百强”和“中国包装机械行业30强”企业，并连续多年荣获中国包装机械十大知名品牌。

Hualian Machinery Group was founded in 1989, now has two production bases covering an area of more than 100,000 square meters with one packaging machinery high and new technology R&D Center. There are 7 categories with more than 200 kinds of products which have formed series and have been put into lot production, including sealer, vacuum packaging machine, carton sealer, strapping machine, shrinking packaging machine, automatic packaging machine and so on. Hualian manufactures and sales more than 100,000 sets of variety of packaging machines per year and export to over 100 countries. We have rich experience in OEM. Company has passed ISO9001:2008 Quality Management System and ISO14001 Environmental Management System and OHSAS18001 Occupational Health Management System and main products have obtained European CE certificate. In 2017 Hualian passed BSCI certificate from UL company.





热收缩包装机 SHRINK PACKAGING MACHINE



BSF SERIES 二合一热收缩包装机

L-SEAL HOOD SHRINK PACKAGING MACHINE



BSF-5540



BSF-5540A

Parameters	BSF-4030	BSF-5540	BSF-7060
电源电压(V/Hz) Voltage	AC 220/50 110/60	AC 220/50 110/60	AC 220/50 110/60
功率(Kw) Power	2.5	4.2	5
包装速度(PCS/h)Packing Speed	500-800	800-1000	500-800
最大封切尺寸(L×H)(mm) Max. Sealing & Cutting Size	400×300	550×400	700×600
最大包装尺寸(L×W×H)(mm)Max.Packing Size	W+H < 350 W < 280 L < 350 H < 120	W+H < 450 W < 380 L < 500 H < 150	W+H < 650 W < 580 L < 650 H < 150
外形尺寸(L×W×H)(mm)External Dimensions	1215×590×1020	1985×690×1065	1720×950×1100
净重(Kg)Net Weight	100	140	165

Parameters	BSF-4030A	BSF-5540A	BSF-7060A
电源电压(V/Hz) Voltage	AC 220/50 110/60	AC 220/50 110/60	AC 220/50 110/60
功率(Kw) Power	2.7	4.2	5
包装速度(PCS/h)Packing Speed	800-1000	800-1000	800-1000
最大封切尺寸(L×H)(mm) Max. Sealing & Cutting Size	400×300	550×400	700×600
最大包装尺寸(L×W×H)(mm)Max.Packing Size	W+H < 350 W < 280 L < 350 H < 120	W+H < 450 W < 380 L < 500 H < 150	W+H < 650 W < 580 L < 650 H < 150
外形尺寸(L×W×H)(mm)External Dimensions	1820×590×1020	1985×690×1065	2325×950×1100
净重(Kg)Net Weight	125	140	200



热收缩包装机 BS-A SERIES

SHRINK TUNNEL



BS-4525A

Parameters	BS-3020A	BS-4525A
电源电压(V/Hz) Voltage	220/50 380/50(3PH) 220/60(3PH)	220/50 380/50(3PH) 220/60(3PH)
功率(Kw) Power	5.1	7.5
载重(kg) Load	10	10
输送速度(m/min) Speed	0-10	0-10
炉腔尺寸(L×W×H)(mm) Tunnel Size	900×300×(50~200)	900×450×(50~250)
外形尺寸(L×W×H)(mm) External Dimensions	1200×500×1050	1200×650×1100
净重(Kg) Net Weight	60	90



BS-4535LA

Parameters	BS-4535LA	BS-6535LA
电源电压(V/Hz) Voltage	380/50(3PH) 220/60(3PH)	
功率(Kw) Power	9.6	13
载重(kg) Load	10	10
输送速度(m/min) Speed	0-10	0-10
炉腔尺寸(L×W×H)(mm) Tunnel Size	1200×450×(50~350)	1200×650×(50~350)
外形尺寸(L×W×H)(mm) External Dimensions	1600×650×1200	1600×850×1200
净重(Kg) Net Weight	120	150



BS SERIES 热收缩包装机

SHRINK TUNNEL



BS-4525L

Parameters	BS-4525	BS-4525L	BS-4535
电源电压(V/Hz) Voltage		380/50(3PH) 220/60(3PH)	
功率(Kw) Power	10	15	10
载重(kg) Load	10	15	10
最大包装尺寸(W×H)(mm) Max. Packing Size	400×200	400×200	400×300
线速度(m/min) Speed	0-10	0-10	0-10
加热炉尺寸(L×W×H)(mm) Tunnel Size	1000×450×250	1500×450×250	1000×450×350
外形尺寸(L×W×H)(mm) External Dimensions	1370×715×1455	1780×750×1380	1300×715×1555
净重(Kg) Net Weight	185	240	195

Parameters	BS-5030X
电源电压(V/Hz) Voltage	380/50(3PH) 220/60(3PH)
功率(Kw) Power	15.3
最大包装尺寸(W×H)(mm) Max. Packing Size	400×250
线速度(m/min) Speed	0-30
加热炉尺寸(L×W×H)(mm) Tunnel Size	1550×500×300
外形尺寸(L×W×H)(mm) External Dimensions	1900×990×1300
净重(Kg) Net Weight	390





热收缩包装机 BS SERIES SHRINK TUNNEL



Parameters	BS-4522
电源电压(V/Hz) Voltage	380/50
功率(Kw) Power	10
载重(kg) Load	20
输送速度(m/min) Speed	0-10
炉腔尺寸(L×W×H)(mm) Tunnel Size	1200×450×220
外形尺寸(L×W×H)(mm) External Dimensions	1608×705×1220
净重(Kg) Net Weight	185

BS SERIES 迷你收缩炉 MINI SHRINKAGE FURNACE



Parameters	BS-2020A
电源电压(V/Hz) Voltage	220/50
功率(Kw) Power	3.5
载重(kg) Load	5
输送速度(m/min) Speed	0-10
炉腔尺寸(L×W×H)(mm) Tunnel Size	600×200×200
外形尺寸(L×W×H)(mm) External Dimensions	1000×400×700
净重(Kg) Net Weight	50



BS SERIES 热收缩包装机 SHRINK TUNNEL

热收缩包装机 BS SERIES SHRINK TUNNEL



BS-5530L



BS-5540M

Parameters	BS-5530L	BS-5540L	BS-5530M	BS-5540M
电源电压(V/Hz) Voltage		380/50(3PH)	220/60(3PH)	
功率(Kw) Power	32	32	23	23
载重(kg) Load	80	80	40	40
输送速度(m/min) Conveying Speed	0-10	0-10	0-8	0-8
炉腔尺寸(L×W×H)(mm) Tunnel Size	2000×550×300	2000×550×400	1450×550×300	1450×550×400
外形尺寸(L×W×H)(mm) External Dimensions	3100×850×1500	3100×850×1600	2550×850×1500	2550×850×1600
净重(Kg) Net Weight	350	400	260	300



热收缩包装机 BS SERIES SHRINK TUNNEL



BS-6040L

Parameters	BS-6040L	BS-6050L
电源电压(V/Hz) Voltage	380/50(3PH) 220/60(3PH)	380/50(3PH) 220/60(3PH)
功率(Kw) Power	26	26
载重(kg) Load	40	40
线速度(m/min) Speed	0~12	0~12
最大包装尺寸(W×H)(mm) Max. Packing Size	450×330	450×430
进料工作水平高度(mm) Infeed Conveyor Height	850±50	850±50
炉腔尺寸(L×W×H)(mm) Tunnel Size	1800×600×400	1800×600×500
适用薄膜 Film Used	PE,PVC	PE,PVC
外形尺寸(L×W×H)(mm) External Dimensions	4000×900×1700	4000×900×1800
净重(Kg) Net Weight	560	580

BS-1510G SERIES 标签收缩包装机 LABEL SHRINK TUNNEL

Parameters	BS-1510G
电源电压(V/Hz) Voltage	380/50(3PH) 220/60(3PH)
功率(Kw) Power	7
包装速度(PCS/min) Packing Speed	8000-12000
最大包装尺寸(Φ×H)(mm) Max. Packing Size	Φ120×400
炉腔尺寸(L×W×H)(mm) Tunnel Size	1000×150×100
适用薄膜 Film Used	PVC,POF
外形尺寸(L×W×H)(mm) External Dimensions	1530×400×1300
净重(Kg) Net Weight	180



BS-1230 SERIES 标签热收缩包装机 LABEL SHRINK TUNNEL



BS-1540

Parameters	BS-1230	BS-1540
电源电压(V/Hz) Voltage	380/50(3PH) 220/60(3PH)	380/50(3PH) 220/60(3PH)
功率(Kw) Power	15	15
最大包装尺寸(Φ×H)(mm) Max. Packing Size	Φ100×250	Φ130×350
包装速度(PCS/h) Packing Speed	8000-12000	8000-12000
炉腔尺寸(L×W×H)(mm) Tunnel Size	1500×120×300	1600×150×400
外形尺寸(L×W×H)(mm) External Dimensions	1800×600×1665	1900×600×1665
净重(Kg) Net Weight	250	300



BS-1230X

Parameters	BS-1230X	BS-1540X
电源电压(V/Hz) Voltage	380/50(3PH) 220/60(3PH)	380/50(3PH) 220/60(3PH)
功率(Kw) Power	15	15
最大包装尺寸(Φ×H)(mm) Max. Packing Size	Φ100×250	Φ130×350
包装速度(PCS/h) Packing Speed	8000-12000	8000-12000
炉腔尺寸(L×W×H)(mm) Tunnel Size	1500×120×300	1600×150×400
外形尺寸(L×W×H)(mm) External Dimensions	1500×1005×2100	1600×1005×2100
净重(Kg) Net Weight	300	350



半自动L型封切机 BSL SERIES SEMI-AUTOMATIC L-SEAL CUTTING MACHINE



BSL-5045L

Parameters	BSL-5045L	BSL-7650L
电源电压(V/Hz) Voltage	110/60 220/50	220/50
功率(Kw) Power	1.2	1.2
包装速度(PCS/h) Packing Speed	800-1200	10
最大包装尺寸(L×W×H)(mm) Max Packing Size	L+H < 500 W+H < 450 W < 400 H < 200	W+H < 700 L < 700 W < 550 H < 200
最大封切尺寸(L×W)(mm) Max. Sealing & Cutting Size	500×450	760×500
外形尺寸(L×W×H)(mm) External Dimensions	1560×757×1040	1810×910×1040
净重(Kg) Net Weight	125	200



Parameters	BSL-5045LA
电源电压(V/Hz) Voltage	110/60 220/50
功率(Kw) Power	1.2
使用气源(kg/cm ²) Air Pressure Required	6-8
包装速度(PCS/h) Packing Speed	800-1200
最大包装尺寸(L×W×H)(mm) Max Packing Size	L+H < 500 W+H < 450 W < 400 H < 200
最大封切尺寸(L×W)(mm) Max. Sealing & Cutting Size	500×450
外形尺寸(L×W×H)(mm) External Dimensions	1560×757×1040
净重(Kg) Net Weight	125



BSF-5030LT SERIES 紧凑型热收缩包装机 COMPACT SHRINKING PACKAGING MACHINE



Parameters	BSF-5030LT
电源电压(V/Hz) Voltage	380/50(3PH) or 220V/50
功率(Kw) Power	8
封切时间(Sec) Sealing & Cutting time	0.4-0.6
包装速度(PCS/h) Packing Speed	480-760
适用薄膜(mm) Film Used	POF:0.012-0.019 PVC:0.012-0.019
收缩温度(°C) Shrink Temperature	150-180
最大封口尺寸(L×H)(mm) Max. Sealing Size	500×450
最大包装尺寸(L×W×H)(mm) Max Packing Size	L+H < 500 W+H < 450 W < 400 H < 200
炉腔尺寸(L×W×H)(mm) Tunnel Size	900×500×300
外形尺寸(L×W×H)(mm) External Dimensions	1750×1200×800
净重(Kg) Net Weight	180



全自动封切机 BSF-5545L SERIES AUTOMATIC SIDE SEALING MACHINE



Parameters	BSF-5545LD
电源电压(V/Hz) Voltage	AC 380/50(3PH) 380/60(3PH)
功率(Kw) Power	3
使用气源(kg/cm ²) Air Pressure Required	6-8
包装速度(PCS/min) Packing Speed	0-60
最大包装尺寸(W+H)(mm) Max. Packing Size	W≤350 H≤150 W+H<450 长度不限 Length unlimited
最大包装高度(H)(mm) Max. Packing Height	150
封刀长度(mm) Sealing Length	450
外形尺寸(L×W×H)(mm) External Dimensions	2040×1480×1350
净重(Kg) Net Weight	800



Parameters	BSF-5640LG
电源电压(V/Hz) Voltage	AC 220V 50/60HZ
功率(Kw) Power	1.8
使用气源(kg/cm ²) Air Pressure Required	5-8
包装速度(PCS/min) Packaging Speed	0-30
最大包装尺寸(L×W×H)(mm) Max. Packing Size	L≤400, W≤350, H≤130, W+H≤480, L+H≤500
最大封切尺寸(L×H)(mm) Max. Sealing & Cutting Size	500×400
外形尺寸(L×W×H)(mm) External Dimensions	1790×830×1600
载重(Kg) Load	0-20
净重(Kg) Net Weight	400



BSF-5640LG SERIES 全自动封切机 AUTOMATIC SIDE SEALING MACHINE

Parameters	BSF-5640LG/E
电源电压(V/Hz) Voltage	AC 220/50 220/60
功率(Kw) Power	1.3
使用气源(kg/cm ²) Air Pressure Required	5-8
包装速度(PCS/min) Packing Speed	0-30
最大包装尺寸(W+H)(mm) Max. Packing Size	L≤400 W≤350 H≤140 W+H<420 L+H<500
最大封切尺寸(L×H)(mm) Max. Sealing & Cutting Size	550×400
载重(Kg) Load	0-15
外形尺寸(L×W×H)(mm) External Dimensions	1700×880×1450
净重(Kg) Net Weight	300



Parameters	BSF-5545LE
电源电压(V/Hz) Voltage	AC 220/50
功率(Kw) Power	1.6
使用气源(kg/cm ²) Air Pressure Required	5-8
包装速度(PCS/min) Packing Speed	0-30
最大包装尺寸(W+H)(mm) Max. Packing Size	W≤350 H≤150 W+H<450 长度不限 Length unlimited
最大包装高度(H)(mm) Max. Packing Height	150
封刀长度(mm) Sealing Length	520
外形尺寸(L×W×H)(mm) External Dimensions	1790×830×1600
净重(Kg) Net Weight	500



Parameters	BSF-5640LV
电源电压(V/Hz) Voltage	AC 220/50 220/60
使用气源(kg/cm ²) Air Pressure Required	5-8
功率(Kw) Power	1.8
包装速度(PCS/min) Packing Speed	0-30
最大包装尺寸(W+H)(mm) Max. Packing Size	W+H≤420 W<350 H<190 L<400
最大封切尺寸(L×H)(mm) Max. Sealing & Cutting Size	550×400
外形尺寸(L×W×H)(mm) External Dimensions	1790×830×1600
净重(Kg) Net Weight	300





半自动袖口式封切热收缩机 BSF-6540XLT

SEMI-AUTOMATIC SLEEVE SEALING & SHINKING MACHINE



Parameters	BSF-6540XLT
电源电压(V/Hz) Voltage	AC 380/50(3PH) 220/60
功率(Kw) Power	18.5
使用气源(kg/cm ²) Air Pressure Required	6-8
炉腔尺寸(L×W×H)(mm) Tunnel Size	1500×600×400
最大包装尺寸(L×W×H)(mm) Max. Packing Size	520×320×350
包装速度(PCS/min) Packaging Speed	8-10
工作气压(Kg/cm ²) Compressed Air	60
最大封口长度(mm) Max Sealing Length	650
最大膜宽(mm) Maximum film width	600
适用薄膜 Film Used	PE
进料工作水平高度(mm) Infeed Conveyor Height	800+50
外形尺寸(L×W×H)(mm) External Dimensions	3500×860×2000
净重(Kg) Net Weight	520

TF-6540SA 半自动袖口式封切包装机

SEMI-AUTOMATIC SLEEVE SEALING MACHINE



TF-6540SA



TF-6540SA+BS-5540M

Parameters	TF-6540SA
电源电压(V/Hz) Voltage	AC 220/50 110/60
功率(Kw) Power	1.5
使用气源(kg/cm ²) Air Pressure Required	5-7
最大包装尺寸(L×W×H)(mm) Max. Packing Size	550×390×370
最大封口长度(mm) Max Sealing Length	650
进料工作水平高度(mm) Infeed Conveyor Height	800+50
外形尺寸(L×W×H)(mm) External Dimensions	925×1040×1920
净重(Kg) Net Weight	300



BSF-6030XI 全自动袖口式封切包装机

AUTOMATIC SLEEVE SEALING MACHINE



BSF-6030XI

全自动袖口式封切包装机
AUTOMATIC SLEEVE SEALING MACHINE



BSF-6030XI+BS-6040L

全自动袖口式封切热收缩包装机组合
AUTOMATIC SLEEVE SEALING MACHINE WITH SHRINK TUNNEL

Parameters	BSF-6030XI
电源电压(V/Hz) Voltage	380/50(3PH) 220/60(3PH)
功率(Kw) Power	2
使用气源(kg/cm ²) Air Pressure Required	6-8
包装速度(PCS/min) Packaging Speed	0-8
最大包装尺寸(L×W×H)(mm) Max. Packing Size	450×300×300
封切尺寸(W×H)(mm) Sealing & Cutting Size	700×330
进料工作水平高度(mm) Infeed Conveyor Height	850+30
适用薄膜 Film Used	PVC、PE
外形尺寸(L×W×H)(mm) External Dimensions	1360×2120×1900
净重(Kg) Net Weight	465



Parameters	BSF-501	BSF-601
电源电压(V/Hz) Voltage	AC 220/50 110/60	AC 220/50 110/60
瞬时功率(kw) Instantaneous Power	1	2.4
最大封口尺寸(L+W)(mm) Max. Sealing Area	500×350	600×500
电热可调时间(sec.) Variable Heating Time	0-2	0-2
外形尺寸(L×W×H)(mm) External Dimensions	950×550×370	1100×820×420
净重(Kg) Net Weight	23	35



SP-450

Parameters	SP-300	SP-450	SP-600
电源电压(V/Hz) Voltage	AC 220/50 110/60	AC 220/50 110/60	AC 220/50 110/60
瞬时功率(kw) Instantaneous Power	1	1	1
最大封口尺寸(L+W)(mm) Max. Sealing Area	300×350	450×350	600×350
电热可调时间(sec.) Variable Heating Time	0-2	0-2	0-2
外形尺寸(L×W×H)(mm) External Dimensions	470×350×140	620×450×140	800×350×140
净重(Kg) Net Weight	10	11.5	13



TB SERIES 贴体包装机 SKIN PACKAGING MACHINE



TB-390

Parameters	TB-390	TB-540
电源电压(V/Hz) Voltage	220/50(Single phase) 380/50(3 phase) 220/60(3 phase)	380/50(3 phase) 220/60(3 phase)
功率(Kw) Power	11	17
包装面积(mm) Packaging Area	390×540	540×780
包装速度(PCS/h) Packaging Speed	30-50	30-50
包装材料 Packaging Material	PVC PE	PVC PE
薄膜宽度(mm) Film Width	450	600
外形尺寸(L×W×H)(mm) External Dimensions	1515×605×1355	1890×760×1355
净重(Kg) Net Weight	135	195



WeChat
公众微信号



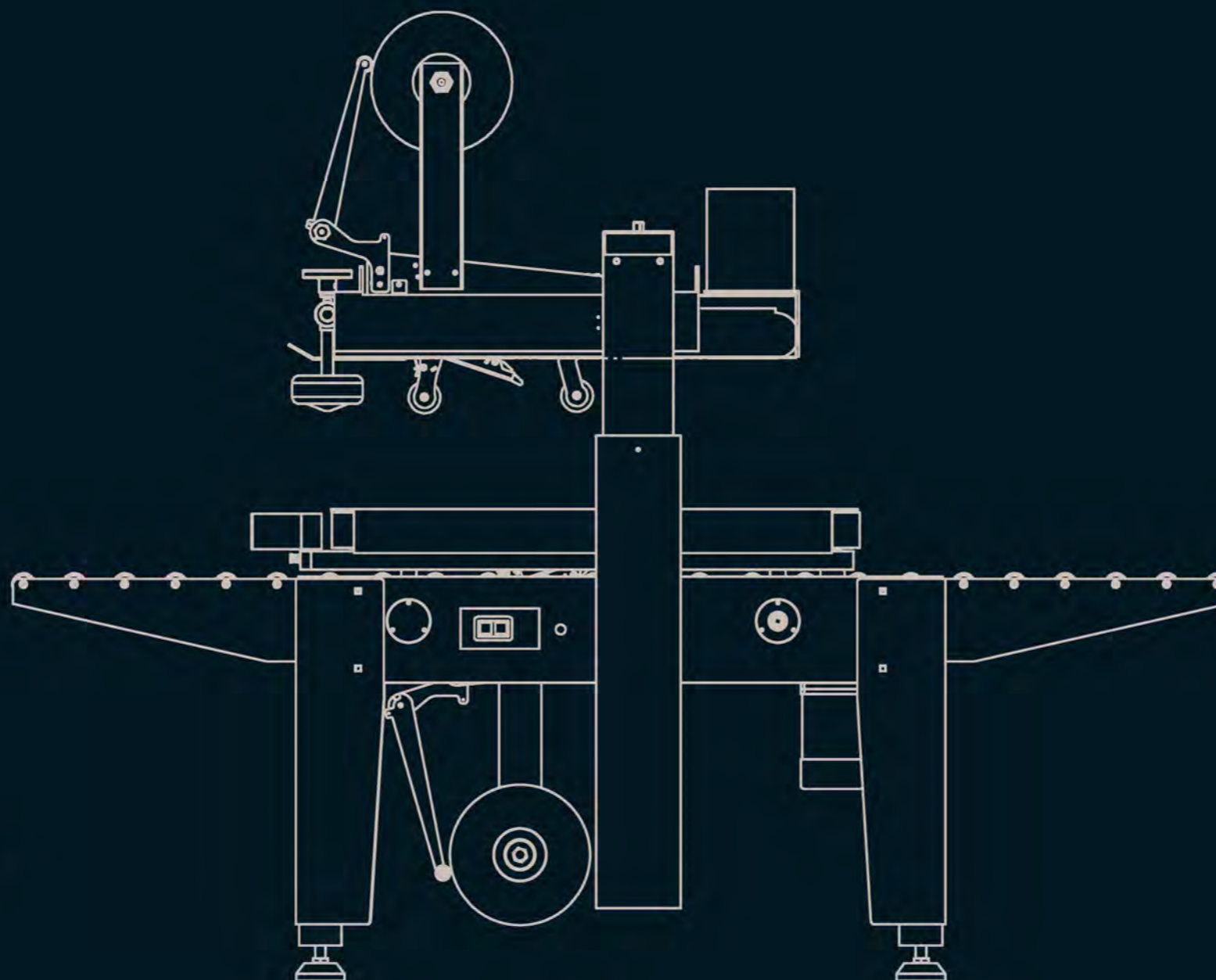
Official Website
官方网站



Catalogue PDF
样本PDF版



CARTON SEALER & STRAPPING MACHINE 封箱机·捆扎机



华联机械集团有限公司

地址：温州市高翔工业区大维路2号

邮编：325006

电话：0577-89989999（总机）

传真：0577-89989966

E-mail: hualian@hualian.biz

国内销售

电话：0577-89989981 89989982 89989983 89989956

传真：0577-89989968

E-mail: sales@hualian.biz

华联机械集团温州进出口有限公司

HUALIAN MACHINERY GROUP WENZHOU IMPORT&EXPORT CO.,LTD

地址：温州市高翔工业区大维路2号

Add: No.2 Dawei Road, Gaoxiang Industrial Park, Wenzhou, China

P.C.: 325006

Tel: +86-577-88627766 88627768 88608008

E-mail: hl@hualian.biz hl@hualianmachinery.com

版权所有 翻版必究 (2023.11)

华联机械集团
HUALIAN MACHINERY GROUP



Intelligent Packaging Integrated Solution System Provider
智能包装整体解决方案系统服务商



Intelligent Packaging Integrated Solution System Provider
智能包装整体解决方案系统服务商



COMPANY PROFILE 公司简介

华联机械集团创建于1989年，是经国家工商总局核准成立的无区域企业集团。集团以包装机械为主业，以智能化后道包装系统的研发制造、销售服务为核心业务，是面向全球市场的包装机械供应商。公司设有省级智能包装装备研究院、省级企业技术中心，拥有两个大型生产基地，占地10万M²。自第一台“华联牌”连续式封口机诞生以来，华联机械迄今已形成系列化、规模化生产的产品有7大板块200多品种，年生产销售超10万台套各类包装机械，产品销售到全球100多个国家。集团被评为“中国包装行业百强”和“中国包装机械行业30强”企业，并连续多年荣获中国包装机械十大知名品牌。

Hualian Machinery Group was founded in 1989, now has two production bases covering an area of more than 100,000 square meters with one packaging machinery high and new technology R&D Center. There are 7 categories with more than 200 kinds of products which have formed series and have been put into lot production, including sealer, vacuum packaging machine, carton sealer, strapping machine, shrinking packaging machine, automatic packaging machine and so on. Hualian manufactures and sales more than 100,000 sets of variety of packaging machines per year and export to over 100 countries. We have rich experience in OEM. Company has passed ISO9001:2008 Quality Management System and ISO14001 Environmental Management System and OHSAS18001 Occupational Health Management System and main products have obtained European CE certificate. In 2017 Hualian passed BSCI certificate from UL company.





封箱机 CARTON SEALER



FX-800 SERIES 湿水胶纸机

MANUAL GUMMED TAPE DISPENSER

产品说明 Description

FX-800系列湿水胶纸机适用于涂胶强化纸带的粘贴，出纸长度可自由调节。

FX-800 manual gummed tape dispenser is used for sticking the reinforced gummed tape and the extended tape length is adjustable.

Parameters	FX-800
电源电压(V/Hz)Voltage	---
纸带宽度(mm)Width of Tape	20-100
纸卷最大直径(mm)Max. Tape Roll Diameter	200
外形尺寸(L×W×H)(mm)External Dimensions	450×280×230
净重(kg)Net Weight	9.5



产品说明 Description

FX-800B采用电动控制出纸长度，可选择两种尺寸的纸带长度，通过点动开关，可选择任意需要的纸带长度。

- FX-800B automatic gummed tape dispenser is operated by button to control the tape length and the extended tape length is adjustable.
- FX-800B can choose two kind of size of tape length.

Parameters	FX-800B
电源电压(V/Hz)Voltage	AC100-240 V50/60
纸带宽度(mm)Width of Tape	20-100
纸卷最大直径(mm)Max. Tape Roll Diameter	210
外形尺寸(L×W×H)(mm)External Dimensions	500×270×260
净重(kg)Net Weight	16



产品说明 Description

FX-800P是一款全自动的电动湿水胶纸机，操作上简单方便，噪音小，精度高，能够通过相对简单“编程”，循环按一定周期出不同长度数量的湿水纸。

- The FX-800P is an Automatic Gummed Tape Dispenser, which is simple and convenient to operate, with low noise and high accuracy. It can be easily programmed to meet different requirement of the tape length. It can continuously give different tape lengths according to the setting.

Parameters	FX-800P
电源电压(V/Hz)Voltage	AC 100-240V 50/60Hz
纸带宽度(mm)Width of Tape	20-80 (可定制customizable100)
纸卷最大直径(mm)Max. Tape Roll Diameter	200
外形尺寸(L×W×H)(mm)External Dimensions	500×300×315
净重(kg)Net Weight	13.5





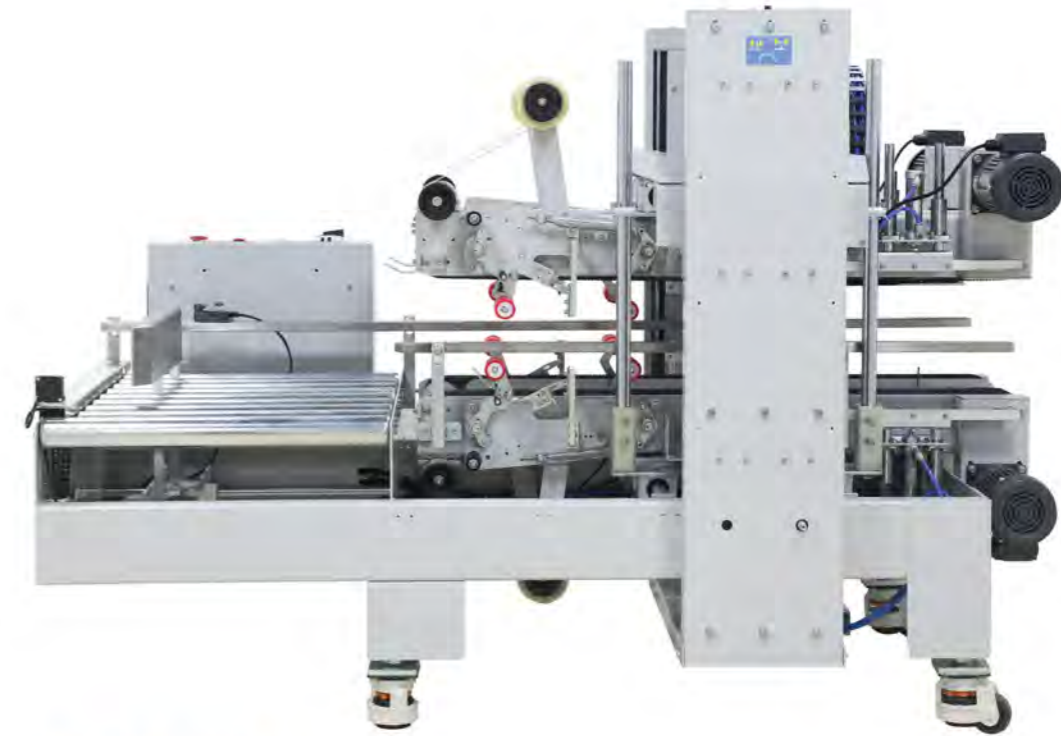
湿水胶纸机 FXW SERIES MANUAL GUMMED TAPE DISPENSER



Parameters	FXW-6050
电源(V/Hz) Voltage	AC 220/50 110/60
功率(W) Power	700
最大封箱尺寸(L×W×H)(mm) Max. Carton Size	∞ × 500 × 600
最小封箱尺寸(L×W×H)(mm) Min. Carton Size	170 × 170 × 130
封箱速度(箱cartons/分钟min) Sealing Speed	20
输送带速度(m/min) Conveyor Speed	20
适用胶带 Used Adhesive Tape	水活性牛皮纸(带线) Water activated kraft paper (with thread)
封箱胶带宽度(mm) Width of Adhesive Tape	48~75
胶带头长度(mm) Tape Head Length	48~90
最大胶带直径(mm) Max. Tape Roll Diameter	420
工作台面高度(mm) Height of Table	700~820
外形尺寸(L×W×H)(mm) External Dimensions	1510 × 1115 × (1970-2090)
净重(kg) Net Weight	230



JFX SERIES 角边封箱机 CARTON EDGE SEALER



JFX-5050B

Parameters	JFX-5050B	JFX-6080B
电源电压(V/Hz) Voltage	AC 380/50 220/50	AC 380/50 220/50
功率(W) Power	1100	1100
气源压力(Mpa) Air Compressor	0.5~0.6	0.5~0.6
最大封箱尺寸(L×W×H)(mm) Max. Carton Size	500 × 500 × 500	800 × 600 × 600
最小封箱尺寸(L×W×H)(mm) Min. Carton Size	320 × 200 × 180	320 × 200 × 180
封箱速度(箱cartons/分钟min) Sealing Speed	5~10(仅做参考as reference)	5~10(仅做参考as reference)
输送带速度(m/min) Conveyor Speed	20	20
适用胶带 Used Adhesive Tape	BOPP,免水胶带, water-free adhesive tape, PVC adhesive tape	BOPP,免水胶带, water-free adhesive tape, PVC adhesive tape
工作台面高度(mm) Height of Table	650~750	650~750
封箱胶带宽度(mm) Width of Adhesive Tape	60、76	60、76
最大载重(kg) Max. Conveyor Load	30	30
外形尺寸(L×W×H)(mm) External Dimensions	1955 × 1060 × 1510	2155 × 1365 × 1580
净重(kg) Net Weight	400	550



胶带封箱机 FXJ SERIES CARTON SEALER



Parameters	FXJ-4030A
电源电压(V/Hz) Voltage	AC 220/50 110/60
功率(W) Power	180
最大封箱尺寸(L×W×H)(mm) Max. Carton Size	∞ × 300 × 400
最小封箱尺寸(L×W×H)(mm) Min. Carton Size	130 × 80 × 90
适用胶带 Used Adhesive Tape	BOPP,免水胶带, water-free adhesive tape, PVC adhesive tape
封箱速度(箱cartons/分钟min) Sealing Speed	25~40(仅做参考as reference)
输送带速度(m/min) Conveyor Speed	20
工作台面高度(mm) Height of Table	700
封箱胶带宽度(mm) Width of Adhesive Tape	36、48
最大载重(kg) Max. Conveyor Load	20
外形尺寸(L×W×H)(mm) External Dimensions	620(带托架with bracket1305) × 700 × (1220~1580)
净重(kg) Net Weight	80



Parameters	FXJ-5050A/C
电源(V/Hz) Voltage	AC 220/50 110/60
功率(W) Power	180
最大封箱尺寸(L×W×H)(mm) Max. Carton Size	∞ × 500 × 500
最小封箱尺寸(L×W×H)(mm) Min. Carton Size	150 × 120 × 120
封箱速度(箱cartons/分钟min) Sealing Speed	25~37(仅做参考as reference)
输送带速度(m/min) Conveyor Speed	20
适用胶带 Used Adhesive Tape	BOPP,免水胶带, water-free adhesive tape, PVC adhesive tape
工作台面高度(mm) Height of Table	730
封箱胶带宽度(mm) Width of Adhesive Tape	48、60 (选配Optional)
最大载重(kg) Max. Conveyor Load	30
外形尺寸(L×W×H)(mm) External Dimensions	620(带托架with bracket1440) × 908 × (1220~1620)
净重(kg) Net Weight	100



Parameters	FXJ-6050C
电源电压(V/Hz) Voltage	AC 220/50 110/60
功率(W) Power	200
最大封箱尺寸(L×W×H)(mm) Max. Carton Size	∞ × 500 × 600
最小封箱尺寸(L×W×H)(mm) Min. Carton Size	150 × 180 × 130
适用胶带 Used Adhesive Tape	BOPP,免水胶带, water-free adhesive tape, PVC adhesive tape
封箱速度(箱cartons/分钟min) Sealing Speed	25~45(仅做参考as reference)
输送带速度(m/min) Conveyor Speed	20
最大胶带直径(mm) Max. Tape Roll Diameter	500
工作台面高度(mm) Height of Table	635~780
封箱胶带宽度(mm) Width of Adhesive Tape	48、60、76 (选配Optional)
最大载重(kg) Max. Conveyor Load	30
外形尺寸(L×W×H)(mm) External Dimensions	1520 × 790 × (960~1650)
净重(kg) Net Weight	125



FXJ SERIES 胶带封箱机 CARTON SEALER

Parameters	FXJ-5050QS
电源电压(V/Hz) Voltage	AC 220/50 110/60
功率(W) Power	280
气源压力(Mpa) Air Compressor	0.5~0.8
最大封箱尺寸(L×W×H)(mm) Max. Carton Size	∞ × 500 × 500
最小封箱尺寸(L×W×H)(mm) Min. Carton Size	130 × 80 × 90
封箱速度(箱cartons/分钟min) Sealing Speed	固定模式25~37,自动模式6~12 Fixed mode 25~37, automatic mode 6~12(仅做参考as reference)
输送带速度(m/min) Conveyor Speed	20
适用胶带 Used Adhesive Tape	BOPP,免水胶带, water-free adhesive tape, PVC adhesive tape
工作台面高度(mm) Height of Table	648~840(配脚轮高度) 538~870 (配脚盘高度)
封箱胶带宽度(mm) Width of Adhesive Tape	36、48
最大载重(kg) Max. Conveyor Load	30
外形尺寸(L×W×H)(mm) External Dimensions	996(带托架with bracket1800) × 960 × (1330~1530)
净重(kg) Net Weight	195

注：订货时请注明封箱胶带宽度。可按客户需求定制特殊规格的胶带封箱机。
Note: Please specify tape width when placing order.
Custom specifications are available to meet specific requirements.



Parameters	FXJ-5050Q
电源电压(V/Hz) Voltage	AC 220/50 110/60
功率(W) Power	200
气源压力(Mpa) Air Compressor	0.4~0.6
最大封箱尺寸(L×W×H)(mm) Max. Carton Size	∞ × 500 × 500
最小封箱尺寸(L×W×H)(mm) Min. Carton Size	150 × 200 × 120
封箱速度(箱cartons/分钟min) Sealing Speed	8~25(仅做参考as reference)
输送带速度(m/min) Conveyor Speed	20
适用胶带 Used Adhesive Tape	BOPP,免水胶带, water-free adhesive tape, PVC adhesive tape
工作台面高度(mm) Height of Table	580~780
封箱胶带宽度(mm) Width of Adhesive Tape	48、60 76(选配Optional)
最大载重(kg) Max. Conveyor Load	30
外形尺寸(L×W×H)(mm) External Dimensions	1160(带托架with bracket1970) × 780 × (1155~1580)
净重(kg) Net Weight	166

注：订货时请注明封箱胶带宽度。可按客户需求定制特殊规格的胶带封箱机。
Note: Please specify tape width when placing order.
Custom specifications are available to meet specific requirements.



胶带封箱机 FXJ SERIES CARTON SEALER



FXJ-5050A



FXJ-5050AS

Parameters	FXJ-5050A	FXJ-5050AS
电源(V/Hz) Voltage	AC 220/50 110/60	
功率(W) Power	180	180
最大封箱尺寸(L×W×H)(mm) Max. Carton Size	∞ × 500 × 500	∞ × 500 × 500
最小封箱尺寸(L×W×H)(mm) Min. Carton Size	150 × 130 × 120	130 × 80 × 90
封箱速度(箱cartons/分钟min) Sealing Speed	25~40(仅做参考as reference)	25~45(仅做参考as reference)
输送带速度(m/min) Conveyor Speed	20	20
适用胶带 Used Adhesive Tape	BOPP,免水胶带, water-free adhesive tape, PVC adhesive tape	
工作台面高度(mm) Height of Table	648~840(配脚轮高度) 538~870 (配脚盘高度)	
封箱胶带宽度(mm) Width of Adhesive Tape	48、60、76(选配Optional)	36、48
最大载重(kg) Max. Conveyor Load	30	30
外形尺寸(L×W×H)(mm) External Dimensions	920(带托架with bracket1730) × 950 × (960~1550)	
净重(kg) Net Weight	120	110

Parameters	FXJ-6050
电源电压(V/Hz) Voltage	AC 220/50 110/60
功率(W) Power	180
最大封箱尺寸(L×W×H)(mm) Max. Carton Size	∞ × 500 × 600
最小封箱尺寸(L×W×H)(mm) Min. Carton Size	150 × 180 × 130
适用胶带 Used Adhesive Tape	BOPP,免水胶带, water-free adhesive tape, PVC adhesive tape
封箱速度(箱cartons/分钟min) Sealing Speed	25~45(仅做参考as reference)
工作台面高度(mm) Height of Table	625~775 (配脚轮高度) 565~835(配脚盘高度)
封箱胶带宽度(mm) Width of Adhesive Tape	48、60、76(选配Optional)
最大载重(kg) Max. Conveyor Load	30
外形尺寸(L×W×H)(mm) External Dimensions	905(带托架with bracket1755) × 790 × (1205~1675)
净重(kg) Net Weight	136

注: 订货时请注明封箱胶带宽度。可按客户需求定制特殊规格的胶带封箱机。
Note: Please specify tape width when placing order. Custom specifications are available to meet specific requirements.



FXJ SERIES 胶带封箱机 CARTON SEALER



FXJ-5050B



FXJ-5050C

Parameters	FXJ-5050B	FXJ-5050C
电源(V/Hz) Voltage	AC 220/50 110/60	AC 220/50 110/60
功率(W) Power	270	180
最大封箱尺寸(L×W×H)(mm) Max. Carton Size	∞ × 500 × 500	∞ × 500 × 500
最小封箱尺寸(L×W×H)(mm) Min. Carton Size	150 × 130 × 120	150 × 250 × 120
封箱速度(箱cartons/分钟min) Sealing Speed	25~40(仅做参考as reference)	25~40(仅做参考as reference)
输送带速度(m/min) Conveyor Speed	20	20
适用胶带 Used Adhesive Tape	BOPP,免水胶带, water-free adhesive tape, PVC adhesive tape	BOPP,免水胶带, water-free adhesive tape, PVC adhesive tape
工作台面高度(mm) Height of Table	648~840(配脚轮高度) 538~870 (配脚盘高度)	700~870
封箱胶带宽度(mm) Width of Adhesive Tape	48、60、76(选配Optional)	48、60 (选配Optional)
最大载重(kg) Max. Conveyor Load	30	30
外形尺寸(L×W×H)(mm) External Dimensions	920(带托架with bracket1730) × 950 × (1110~1560)	950(带托架with bracket1770) × 1300 × (1500~1670)
净重(kg) Net Weight	156	190

Parameters	FXJ-8070B
电源(V/Hz) Voltage	AC 220/50 110/60
功率(W) Power	360
最大封箱尺寸(L×W×H)(mm) Max. Carton Size	∞ × 700 × 800
最小封箱尺寸(L×W×H)(mm) Min. Carton Size	150 × 130 × 150
封箱速度(箱cartons/分钟min) Sealing Speed	25~45(仅做参考as reference)
输送带速度(m/min) Conveyor Speed	20
适用胶带 Used Adhesive Tape	BOPP,免水胶带, water-free adhesive tape, PVC adhesive tape
工作台面高度(mm) Height of Table	648~840(配脚轮高度) 538~870 (配脚盘高度)
封箱胶带宽度(mm) Width of Adhesive Tape	48、60、76(选配Optional)
最大载重(kg) Max. Conveyor Load	50
外形尺寸(L×W×H)(mm) External Dimensions	1230 × 1100 × (1620~1820)
净重(kg) Net Weight	160

注: 订货时请注明封箱胶带宽度。可按客户需求定制特殊规格的胶带封箱机。
Note: Please specify tape width when placing order. Custom specifications are available to meet specific requirements.





胶带封箱机 FXJ SERIES CARTON SEALER



Parameters	FXJ-2550X
电源电压(V/Hz) Voltage	AC 220/50 110/60
功率(W) Power	180
最大封箱尺寸(L×W×H)(mm) Max. Carton Size	∞ × 500 × 250
最小封箱尺寸(L×W×H)(mm) Min. Carton Size	130 × 80 × 45(当宽度大于130mm时最低高度可达40mm)
适用胶带 Used Adhesive Tape	BOPP,免水胶带, water-free adhesive tape, PVC adhesive tape
封箱速度(箱cartons/分钟min) Sealing Speed	25~37(仅做参考as reference)
输送带速度(m/min) Conveyor Speed	20
工作台面高度(mm) Height of Table	648-840(配脚轮高度) 538-870 (配脚盘高度)
封箱胶带宽度(mm) Width of Adhesive Tape	36、48
最大载重(kg) Max. Conveyor Load	20
外形尺寸(L×W×H)(mm) External Dimensions	1316(带托架with bracket2125) × 930 × (1200~1340)
净重(kg) Net Weight	125



FXJ-Z SERIES 自动折盖胶带封箱机 AUTOMATIC FOLDING SEALING MACHINE

Parameters	FXJ-5050Z
电源电压(V/Hz) Voltage	AC 220/50 110/60
功率(W) Power	285
气源压力(Mpa) Air Compressor	0.4~0.6
最大封箱尺寸(L×W×H)(mm) Max. Carton Size	600 × 500 × 500
最小封箱尺寸(L×W×H)(mm) Min. Carton Size	180 × 160 × 180
封箱速度(箱cartons/分钟min) Sealing Speed	18~25(仅做参考as reference)
输送带速度(m/min) Conveyor Speed	22
适用胶带 Used Adhesive Tape	BOPP,免水胶带, water-free adhesive tape, PVC adhesive tape
工作台面高度(mm) Height of Table	600~750
封箱胶带宽度(mm) Width of Adhesive Tape	48、60、76(选配Optional)
最大载重(kg) Max. Conveyor Load	30
外形尺寸(L×W×H)(mm) External Dimensions	1830(带托架with bracket2640) × 920 × (1450~1700)
净重(kg) Net Weight	250



FXJ-Z SERIES 自动折盖胶带封箱机 AUTOMATIC FOLDING SEALING MACHINE

Parameters	FXJ-3030Z
电源电压(V/Hz) Voltage	AC 220/50 110/60
功率(W) Power	290
气源压力(Mpa) Air Compressor	0.5~0.8
最大封箱尺寸(L×W×H)(mm) Max. Carton Size	350 × 300 × 300
最小封箱尺寸(L×W×H)(mm) Min. Carton Size	130 × 80 × 90
封箱速度(箱cartons/分钟min) Sealing Speed	10~15(仅做参考as reference)
输送带速度(m/min) Conveyor Speed	20
适用胶带 Used Adhesive Tape	BOPP,免水胶带, water-free adhesive tape, PVC adhesive tape
工作台面高度(mm) Height of Table	648-840(配脚轮高度) 538-870 (配脚盘高度)
封箱胶带宽度(mm) Width of Adhesive Tape	36、48
最大载重(kg) Max. Conveyor Load	20
外形尺寸(L×W×H)(mm) External Dimensions	1530(带托架with bracket2330) × 740 × (1210~1410)
净重(kg) Net Weight	135



Parameters	FXJ-5050ZX
电源电压(V/Hz) Voltage	AC 220/50 110/60
功率(W) Power	285
气源压力(Mpa) Air Compressor	0.4~0.6
最大封箱尺寸(L×W×H)(mm) Max. Carton Size	600 × 500 × 500
最小封箱尺寸(L×W×H)(mm) Min. Carton Size	180 × 160 × 180
封箱速度(箱cartons/分钟min) Sealing speed	18~25(仅做参考as reference)
输送带速度(m/min) conveyor speed	22
适用胶带 Used Adhesive Tape	BOPP,免水胶带, water-free adhesive tape, PVC adhesive tape
工作台面高度(mm) Height of Table	600~750
封箱胶带宽度(mm) Width of Adhesive Tape	48、60、76(选配Optional)
最大载重(kg) Max. Conveyor Load	30
外形尺寸(L×W×H)(mm) External Dimensions	1830(带托架with bracket2640) × 920 × (1450~1700)
净重(kg) Net Weight	280

注：订货时请注明封箱胶带宽度。可按客户需求定制特殊规格的胶带封箱机。
Note: Please specify tape width when placing order. Custom specifications are available to meet specific requirements.



全自动折盖胶带封箱机 FXJ-Z SERIES AUTOMATIC FOLDING SEALING MACHINE



Parameters	FXJ-5050ZB
电源电压 (V/Hz) Voltage	AC 220/50 110/60
功率(W) Power	370
气源压力(Mpa) Air Compressor	0.4~0.6
最大封箱尺寸(L×W×H)(mm) Max. Carton Size	600×500×500
最小封箱尺寸(L×W×H)(mm) Min. Carton Size	180×160×180
封箱速度(箱cartons/分钟min) Sealing Speed	15~25(仅做参考as reference)
输送带速度(m/min) Conveyor Speed	22
适用胶带 Used Adhesive Tape	BOPP,免水胶带, water-free adhesive tape, PVC adhesive tape
工作台面高度(mm) Height of Table	600~750
封箱胶带宽度(mm) Width of Adhesive Tape	48、60、76(选配Optional)
最大载重(kg) Max. Conveyor Load	30
外形尺寸(L×W×H)(mm) External Dimensions	1980×920×(1610~1770)
净重(kg) Net Weight	330



FXJ-Z SERIES 全自动折盖胶带封箱机 AUTOMATIC FOLDING SEALING MACHINE

Parameters	FXJ-5050ZBR
电源电压 (V/Hz) Voltage	AC 380/50 220/50
封箱机功率(W) Power of Carton sealer	390
热熔胶机功率(W) Power of the Hot melt gluing machine	4000
气源压力(Mpa) Air Compressor	0.4~0.6
最大封箱尺寸(L×W×H)(mm) Max. Carton Size	600×500×500
最小封箱尺寸(L×W×H)(mm) Min. Carton Size	160×200×180
封箱速度(米/分钟min) Sealing Speed	14
适用材质 Applicable Material	瓦楞纸箱用颗粒状热熔胶 Granular hot melt adhesive for corrugated box
工作台面高度(mm) Height of Table	600~750
最大载重(kg) Max. Conveyor Load	30
外形尺寸(L×W×H)(mm) External Dimensions	1980×920×(2100~2250)
净重(kg) Net Weight	360

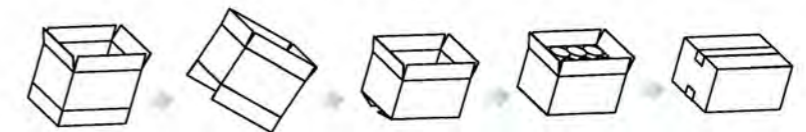


Parameters	FXJ-5050ZQ
电源电压 (V/Hz) Voltage	AC 220/50 110/60
功率(W) Power	500
气源压力(Mpa) Air Compressor	0.4~0.6
最大封箱尺寸(L×W×H)(mm) Max. Carton Size	600×500×500
最小封箱尺寸(L×W×H)(mm) Min. Carton Size	180×160×180
封箱速度(箱cartons/分钟min) Sealing Speed	10~20(仅做参考as reference)
输送带速度(m/min) Conveyor Speed	20
适用胶带 Used Adhesive Tape	BOPP,免水胶带, water-free adhesive tape, PVC adhesive tape
工作台面高度(mm) Height of Table	600~750
封箱胶带宽度(mm) Width of Adhesive Tape	48、60、76(选配Optional)
最大载重(kg) Max. Conveyor Load	30
外形尺寸(L×W×H)(mm) External Dimensions	2276×1092×(1745~1895)
净重(kg) Net Weight	300



Parameters	DZF-5050A
电源电压(V/Hz) Voltage	AC 220/50 110/60
功率(W) Power	180
气源压力(Mpa) Air Compressor	0.5~0.6
封箱胶带速度(m/min) Speed	22
最小封箱尺寸(L×W×H)(mm) Min. Carton Size	200×250×180
最大封箱尺寸(L×W×H)(mm) Max. Carton Size	600×500×400
适用胶带 Used Adhesive Tape	BOPP,免水胶带, water-free adhesive tape, PVC adhesive tape
封箱胶带宽度(mm) Width of Adhesive Tape	48、60 76 (选配Optional)
外形尺寸(mm)(L×W×H) External Dimensions	2200×860×1700
净重(kg) Net Weight	290

工序示意图 Procedure Diagram



注：订货时请注明封箱胶带宽度。可按客户需求定制特殊规格的胶带封箱机。
Note: Please specify tape width when placing order. Custom specifications are available to meet specific requirements.



捆扎机 STRAPPING MACHINE



KZB SERIES 半自动捆扎机 SEMI-AUTOMATIC STRAPPING MACHINE

Parameters	KZB- I
电源电压(V/Hz) Voltage	AC 220/50 110/60
功率(W) Power	320
捆扎包件尺寸(最大)(W×H)(mm) Max. Strapping Size	不作规定 Not stipulated
捆扎速度(秒/道)(sec/cycle) Strapping Speed	2.5
捆扎力(N) Strapping Force	10-450(可调 Adjustable)
工作台面高度(mm) Height of Table	750
适用塑料带的宽度(mm) Width of strap used	6-15(可调 Adjustable)
外形尺寸(L×W×H) (mm) External Dimensions	900×580×750
净重(kg) Net Weight	100



Parameters	KZB- II
电源电压(V/Hz) Voltage	AC 220/50 110/60
功率(W) Power	320
捆扎包件尺寸(最大)(W×H)(mm) Max. Strapping Size	不作规定 Not stipulated
捆扎速度(秒/道)(sec/cycle) Strapping Speed	2.5
捆扎力(N) Strapping Force	10-450(可调 Adjustable)
工作台面高度(mm) Height of Table	500
适用塑料带的宽度(mm) Width of strap used	6-15(可调 Adjustable)
外形尺寸(L×W×H) (mm) External Dimensions	1450×580×505
净重(kg) Net Weight	90



Parameters	KZBT
电源电压(V/Hz) Voltage	AC 220/50 110/60
功率(W) Power	90
捆扎包件尺寸(最大)(W×H)(mm) Max. Strapping Size	不作规定 Not stipulated
捆扎速度(秒/道)(sec/cycle) Strapping Speed	1.8
捆扎力(N) Strapping Force	10-100(可调 Adjustable)
工作台面高度(mm) Height of Table	250
适用塑料带的宽度(mm) Width of strap used	6-15(可调 Adjustable)
最大载重(kg) Max. Conveyor Load	30
外形尺寸(L×W×H) (mm) External Dimensions	665×335×200
净重(kg) Net Weight	18





半自动捆扎机 KZB SERIES SEMI-AUTOMATIC STRAPPING MACHINE



Parameters	KZB-A
电源电压(V/Hz) Voltage	AC 220/50 110/60
功率(W) Power	320
捆扎包件尺寸(最大)(W×H)(mm) Max. Strapping Size	不作规定 Not stipulated
捆扎速度(秒/道)(sec/cycle) Strapping Speed	2.5
捆扎力(N) Strapping Force	10-450(可调 Adjustable)
适用塑料带的宽度(mm) Width of strap used	6-15(可调 Adjustable)
工作台面高度(mm) Height of Table	750
外形尺寸(L×W×H)(mm) External Dimensions	900×580×750
净重(kg) Net Weight	95

Parameters	KZBD-A
电源电压(V/Hz) Voltage	AC 220/50 110/60
功率(W) Power	320
捆扎包件尺寸(最大)(W×H)(mm) Max. Strapping Size	不作规定 Not stipulated
捆扎速度(秒/道)(sec/cycle) Strapping Speed	2.5
捆扎力(N) Strapping Force	10-450(可调 Adjustable)
适用塑料带的宽度(mm) Width of strap used	6-15(可调 Adjustable)
工作台面高度(mm) Height of Table	500
外形尺寸(L×W×H)(mm) External Dimensions	1450×580×675
净重(kg) Net Weight	91



SK SERIES 半自动捆扎机 SEMI-AUTOMATIC STRAPPING MACHINE

Parameters	SK-1
电源电压(V/Hz) Voltage	AC 220/50 110/60
功率(W) Power	320
捆扎包件尺寸(最大)(W×H)(mm) Max. Strapping Size	不作规定 Not stipulated
捆扎速度(秒/道)(sec/cycle) Strapping Speed	2.5
捆扎力(N) Strapping Force	10-450(可调 Adjustable)
适用塑料带的宽度(mm) Width of Strap used	6-15(可调 Adjustable)
工作台面高度(mm) Height of Table	750
外形尺寸(L×W×H)(mm) External Dimensions	900×580×750
净重(kg) Net Weight	100



Parameters	SK-2
电源电压(V/Hz) Voltage	AC 220/50 110/60
功率(W) Power	320
捆扎包件尺寸(最大)(W×H)(mm) Max. Strapping Size	不作规定 Not stipulated
捆扎速度(秒/道)(sec/cycle) Strapping Speed	2.5
捆扎力(N) Strapping Force	10-450(可调 Adjustable)
适用塑料带的宽度(mm) Width of Strap used	6-15(可调 Adjustable)
工作台面高度(mm) Height of Table	500
外形尺寸(L×W×H)(mm) External Dimensions	1450×580×505
净重(kg) Net Weight	90





全自动捆扎机 KZ SERIES AUTOMATIC STRAPPING MACHINE



Parameters	KZ-8060/D
电源(V/Hz) Voltage	AC 380/50 220/60(三相)
功率(W) Power	1000
捆扎包件尺寸(最大)(W×H)(mm) Max. Strapping Size	700×600/800×500
捆扎速度(秒/道)(sec/cycle) Strapping Speed	≤2.5
捆扎力(N) Strapping Force	25-700(可调 Adjustable)
适用塑料带(PP or PE)(mm) Strap used	机用打包带(plastic strap) 宽度width 9-15, 厚Thickness 0.5-1.1
工作台面高度(mm) Height of Table	750
最大载重(kg) Max. Conveyor Load	30
外形尺寸(L×W×H)(mm) External Dimensions	1400×620×1470
净重(kg) Net Weight	190

注: ①轨道架大小可按客户需求定制。

②使用宽度9-11mm或13-15mm之间、厚度0.5-0.6mm或0.8-1.1mm之间的打包带, 开机前需微调送带机构; 9mm带子要选配右导轨组。

Note: ①Many arch sizes available.

②the users need to adjust the belt feeding mechanism a little bit if the width is 9-11mm or 13-15mm, and the thickness is 0.5-0.6mm or 0.8-1.1mm. Moreover, Right Guiding Rail Assembly is needed if the strap width is 9mm.

Parameters	KZD-8060/D
电源(V/Hz) Voltage	AC 380/50 220/60(三相)
功率(W) Power	1000
捆扎包件尺寸(最大)(W×H)(mm) Max. Strapping Size	800×600
捆扎速度(秒/道)(sec/cycle) Strapping Speed	≤2.5
捆扎力(N) Strapping Force	25-700(可调 Adjustable)
适用塑料带(PP or PE)(mm) Strap used	机用打包带(plastic strap) 宽度width 9-15, 厚Thickness 0.5-1.1
工作台面高度(mm) Height of Table	450
最大载重(kg) Max. Conveyor Load	30
外形尺寸(L×W×H)(mm) External Dimensions	1900×620×1550
净重(kg) Net Weight	300



注: ①轨道架大小可按客户需求定制。

②使用宽度9-11mm或13-15mm之间、厚度0.5-0.6mm或0.8-1.1mm之间的打包带, 开机前需微调送带机构; 9mm带子要选配右导轨组。

Note: ①Many arch sizes available.

②the users need to adjust the belt feeding mechanism a little bit if the width is 9-11mm or 13-15mm, and the thickness is 0.5-0.6mm or 0.8-1.1mm. Moreover, Right Guiding Rail Assembly is needed if the strap width is 9mm.



KZW SERIES 无人化全自动捆扎机 AUTOMATIC STRAPPING MACHINE

Parameters	KZW-8060/D
电源电压(V/Hz) Voltage	AC 380/50 220/60(三相)
功率(W) Power	1100
捆扎包件尺寸(最大)(W×H)(mm) Max. Strapping Size	740×600
捆扎速度(秒/道)(sec/cycle) Strapping Speed	≤2.5
捆扎力(N) Strapping Force	25-700(可调 Adjustable)
适用塑料带(PP or PE)(mm) Strap used	机用打包带(plastic strap) 宽度width 9-15 厚度Thickness 0.5-1.1
工作台面高度(mm) Height of Table	750
最大载重(kg) Max. Conveyor Load	50
外形尺寸(L×W×H)(mm) External Dimensions	1580×620×1470
净重(kg) Net Weight	300



Parameters	KZDW-8060/D
电源电压(V/Hz) Voltage	AC 380/50 220/60 (三相)
功率(W) Power	1100
捆扎包件尺寸(最大)(W×H)(mm) Max. Strapping Size	800×600
捆扎速度(秒/道)(sec/cycle) Strapping Speed	≤2.5
捆扎力(N) Strapping Force	25-700(可调 Adjustable)
适用塑料带(PP or PE)(mm) Strap used	机用打包带(plastic strap) 宽度width 9-15 厚度Thickness 0.5-1.1
工作台面高度(mm) Height of Table	450
最大载重(kg) Max. Conveyor Load	50
外形尺寸(L×W×H)(mm) External Dimensions	1980×670×1550
净重(kg) Net Weight	360



侧捆式全自动捆扎机 KZC SERIES AUTOMATIC STRAPPING MACHINE WITH SIDE SEAL

Parameters	KZC-80120
电源电压(V/Hz) Voltage	AC 380/50 220/60(三相)
功率(W) Power	850
捆扎包件尺寸(最大)(W×H)(mm) Max. Strapping Size	800×1200(标准型 Standard type)
捆扎速度(秒/道)(sec/cycle) Strapping Speed	≤2.6
捆扎力(N) Strapping Force	25-750(可调 Adjustable)
适用塑料带(PP or PE)(mm) Strap used	机用打包带(plastic strap) 宽度width 9-15(Adjustable) 带厚Thickness 0.5-1.1
工作台面高度(mm) Height of Table	According to customer's requirement.
外形尺寸(L×W×H)(mm) External Dimensions	根据客户所需 1750×650×1790
净重(kg) Net Weight	350



注: ①轨道架大小可按客户需求定制。

②使用宽度9-11mm或13-15mm之间、厚度0.5-0.6mm或0.8-1.1mm之间的打包带, 开机前需微调送带机构; 9mm带子要选配右导轨组。

Note: ①Many arch sizes available.

②the users need to adjust the belt feeding mechanism a little bit if the width is 9-11mm or 13-15mm, and the thickness is 0.5-0.6mm or 0.8-1.1mm. Moreover, Right Guiding Rail Assembly is needed if the strap width is 9mm.



全自动托盘捆扎机 KZDT SERIES AUTOMATIC PALLET STRAPPING MACHINE



Parameters	KZDT-100200
电源电压(V/Hz) Voltage	AC 380/50 220/60 (三相)
总功率(W) Power	1000
捆扎包件尺寸(最大)(W×H)(mm) Max. Strapping Size	1000×2000
捆扎速度(秒/道)(sec/cycle) Strapping Speed	≤15-30
捆扎力(N) Strapping Force	25-900(可调 Adjustable)
适用塑料带(PP or PE)(mm) Strap used	机用打包带 宽度width 12-15 厚度Thickness 0.6-1.1
工作台面高度(mm) Height of Table	400
包装材料(mm) Packing Material	—
外形尺寸(L×W×H)(mm) External Dimensions	3500×690×3045
净重(kg) Net Weight	380

注: ①轨道架大小可按客户需求定制。

②使用宽度9-11mm或13-15mm之间、厚度0.5-0.6mm或0.8-1.1mm之间的打包带, 开机前需微调送带机构; 9mm带子要选配右导轨组。

Note: ①Many arch sizes available.

②the users need to adjust the belt feeding mechanism a little bit if the width is 9-11mm or 13-15mm, and the thickness is 0.5-0.6 mm or 0.8-1.1mm. Moreover, Right Guiding Rail Assembly is needed if the strap width is 9mm.

Parameters	XKC-1
电源电压(V/Hz) Voltage	AC 380/50 220/60 (三相)
总功率(W) Power	5300
气源气压(Mpa) Air Compressor	0.5-0.6
捆扎包件尺寸(最大)(W×H)(mm) Max. Strapping Size	1000×1000×1800
流水线速度(m/min) Speed	9.5
生产能力(PCS/h) Productive Capacity	40
工作台面高度(mm) Height of Table	400
包装材料(mm) Packing Material	拉伸薄膜 Stretch (宽width 500mm)
外形尺寸(L×W×H)(mm) External Dimensions	5790×3500×3045
净重(kg) Net Weight	1200



注: ①轨道架大小可按客户需求定制。

②使用宽度9-11mm或13-15mm之间、厚度0.5-0.6mm或0.8-1.1mm之间的打包带, 开机前需微调送带机构; 9mm带子要选配右导轨组。

Note: ①Many arch sizes available.

②the users need to adjust the belt feeding mechanism a little bit if the width is 9-11mm or 13-15mm, and the thickness is 0.5-0.6 mm or 0.8-1.1mm. Moreover, Right Guiding Rail Assembly is needed if the strap width is 9mm.



封箱捆扎生产线

AUTOMATIC CARTON SEALING STRAPPING PACKAGING LINE



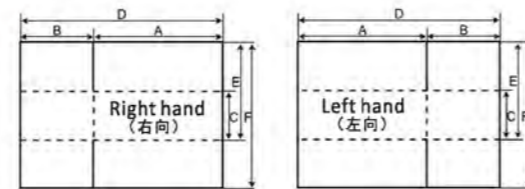


纸箱自动成型机 CXJ-A SERIES CASE ERECTOR

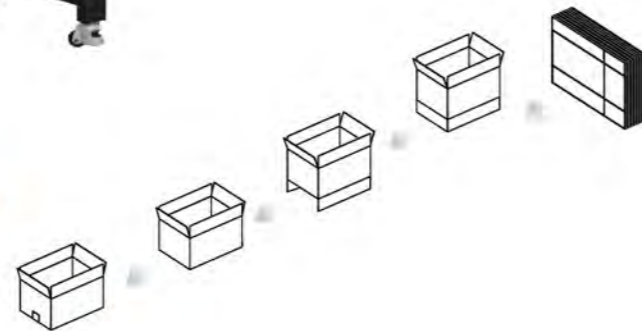


CXJ-6040A

箱子尺寸 Box dimensions for case erector



工序示意图 Procedure Diagram



Parameters	CXJ-4535A	CXJ-6040A	CXJ-8560A
电源电压 (V/Hz) Voltage	三相(3PH) AC 380/50 220/60		
功率(W) Power	200	200	200
气源压力(Mpa) Air Compressor	0.5~0.6	0.5~0.6	0.5~0.6
成形速度(Cartons/Min) Capacity	20~24	18~24	12~15
尺寸(mm) Size	A B C D E F	A B C D E F	A B C D E F
最小(mm) Min	200 150 50 350 125 200	250 200 145 450 245 345	400 250 350 650 475 700
最大(mm) Max	450 350 150 800 325 500	600 400 390 1000 590 790	850 600 680 1450 980 1280
台面高度(mm) Height of Table	450	450	450
适用胶带 Available Adhesive Tape	BOPP、PVC、牛皮纸胶带(Kraft Paper Tape)		
封箱胶带宽度(mm) Width of Adhesive Tape	48、60、76	48、60、76	48、60、76

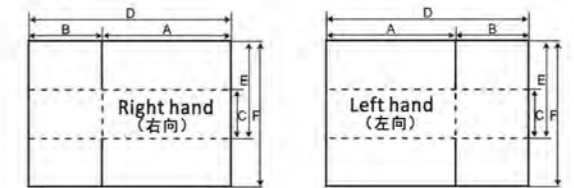


CXJ-B SERIES 纸箱自动成型机 CASE ERECTOR

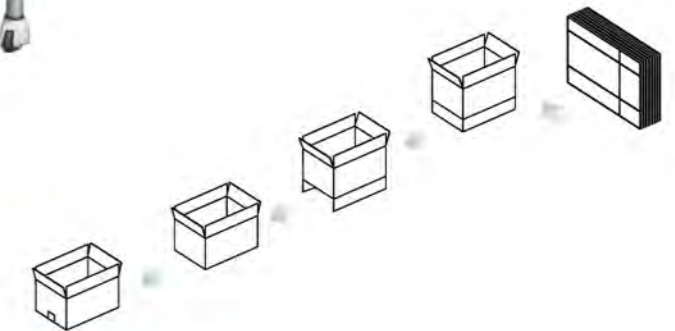


CXJ-4540B

箱子尺寸 Box dimensions for case erector



工序示意图 Procedure Diagram



Parameters	CXJ-4540B
电源电压 (V/Hz) Voltage	三相(3PH) AC 380/50 220/60
功率(W) Power	200
气源压力(Mpa) Air Compressor	0.5~0.6
成形速度(Cartons/Min) Capacity	18~26
尺寸(mm) Size	A B C D E F
最小(mm) Min	200 160 80 360 160 240
最大(mm) Max	450 405 350 855 594 755
台面高度(mm) Height of Table	450
适用胶带 Available Adhesive Tape	BOPP、PVC、牛皮纸胶带(Kraft Paper Tape)
封箱胶带宽度(mm) Width of Adhesive Tape	48、60、76
外形尺寸(mm)(L×W×H) Dimension	2620×1200×1960
净重(kg) Net Weight	600

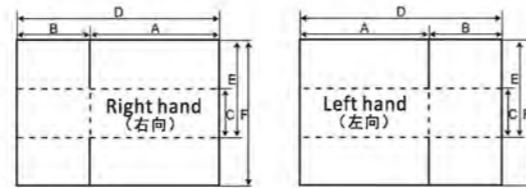


纸箱自动成型机 CXJ-C SERIES CASE ERECTOR

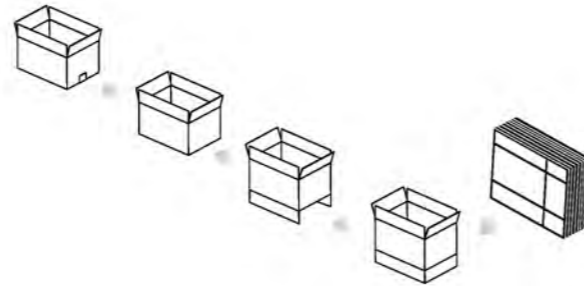


CXJ-4030C

箱子尺寸 Box dimensions for case erector



工序示意图 Procedure Diagram



Parameters	CXJ-4030C	CXJ-5035C	CXJ-6040C
电源电压 (V/Hz) Voltage	三相(3PH) AC 380/50	三相(3PH) AC 380/50	三相(3PH) AC 380/50
功率 (W) Power	800	800	800
气源压力(Mpa) Air Compressor	0.5~0.6	0.5~0.6	0.5~0.6
成形速度(Cartons/Min) Capacity	≤12	≤8	≤8
尺寸 Size	A B C D E F	A B C D E F	A B C D E F
最小(mm) Min	250 150 150 400 230 300	300 200 200 500 230 400	350 250 250 600 230 500
最大(mm) Max	400 300 300 700 500 600	500 350 350 850 575 700	600 400 400 1000 650 800
台面高度(mm) Height of Table	700+(0-30)	700+(0-30)	800+(0-50)
适用胶带 Available Adhesive Tape	BOPP、PVC、牛皮纸胶带(Kraft Paper Tape)		
封箱胶带宽度(mm) Width of Adhesive Tape	直径Diameter≤350 48、60、76 (60标配Standard)		
外形尺寸(mm)(L×W×H) Dimension	2300×2300×1900	2450×2400×1750	2650×2400×1800
净重(kg) Net Weight	500	530	550

注: A=B时, 订购前请注明
Remark: When A=B, please specify before ordering.

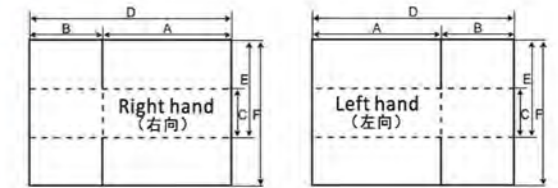


CXJ-D SERIES 纸箱自动成型机 CASE ERECTOR

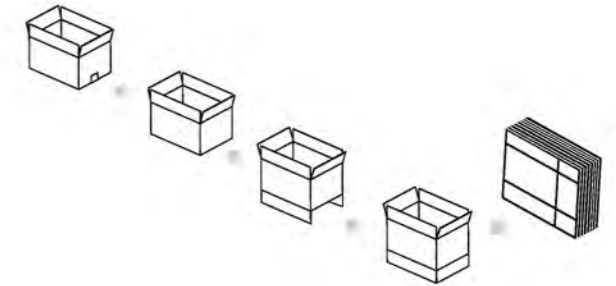


CXJ-4540D

箱子尺寸 Box dimensions for case erector



工序示意图 Procedure Diagram



Parameters	CXJ-4540D
电源电压 (V/Hz) Voltage	AC 220/50 380/50三相(3PH)
功率(W) Power	380
气源压力(Mpa) Air Compressor	0.5~0.6
成形速度(Cartons/Min) Capacity	8~10
最大纸箱尺寸(L×W×H)(mm) Max. Carton Size	450×400×400
最小纸箱尺寸(L×W×H)(mm) Min. Carton Size	250×150×150
封箱胶带宽度(mm) Width of Adhesive Tape	48、60、76 (选配Optional)
工作台面高度(mm) Height of Table	630~650
适用胶带 Available Adhesive Tape	BOPP,免水胶带,water-free adhesive tape ,PVC adhesive tape
存储纸箱胚能力(pieces) Storage Capacity of Carton Embryos	80片左右 (储箱架长度1000mm) 80 (the length of the storage box frame is 1000mm)
外形尺寸(mm)(L×W×H) Dimension	2130×2111×1520
净重(kg) Net Weight	430



自动装箱机 ZXJ-B SERIES VERTICAL AUTOMATIC ENCASING MACHINE



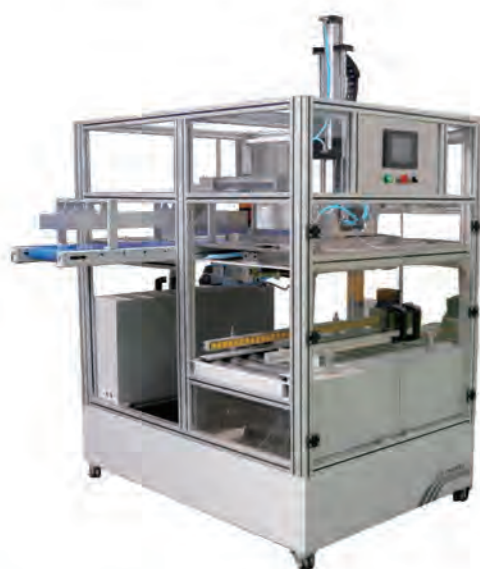
ZXJ-4030/SD

袋类自动装箱机
Automatic bag packing machine



ZXJ-4030/SH

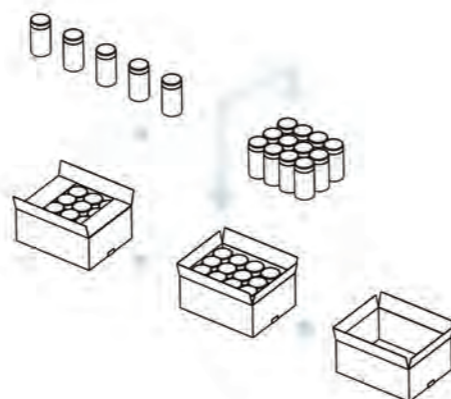
盒类自动装箱机
Automatic box packing machine



ZXJ-4030/LP

瓶类自动装箱机
Automatic bottle packing machine

工序示意图 Procedure Diagram



XFK-1 纸箱自动封箱捆扎生产线 AUTOMATIC CARTON SEALING STRAPPING PACKAGING LINE

Parameters	XFK-1C
电源电压(V/Hz) Voltage	AC 380/50 220/50 110/60
总功率(W) Gross Power	1050
最大纸箱尺寸(LxWxH)(mm) Max. Carton Size	600 × 500 × 500
最小纸箱尺寸(LxWxH)(mm) Min. Carton Size	300 × 130 × 180
流水线速度(m/min) Speed	16
生产能力(PCS/h) Capacity	600
工作台面高度(mm) Height of Table	750
封箱胶带(mm) Adhesive tape	BOPP, 免水胶带, water-free adhesive tape, PVC adhesive tape. width: 48、60 76 (选配Optional)
适用打包带(mm) Strap used	机用塑料打包带 Plastic Strapping belt, width 9~15, 厚Thickness 0.5~1.1
外形尺寸(LxWxH)(mm) External Dimensions	2650 × 1420 × 1565



XFK-1C 基本设备配置:
SJG-100/66 无动力辊筒输送机 1台
KZ-8060/D 低台全自动捆扎机 1台
FXJ-5050L 胶带封箱机 1台

Configuration:
SJG-100/66 Non-drive Roller Conveyor 1set
KZ-8060/D Low-table Automatic Strapping Machine 1set
FXJ-5050L Semiautomatic Carton Sealer 1set

注: ①以上配置为基本配置, 可按客户需求选用, 更多相关信息请向销售人员索取。
②订货时请注明封箱胶带宽度、包件大小和打包带规格。可按客户需求定制特殊规格的封箱捆扎包装流水线。
③使用宽度9~11mm或13~15mm之间、厚度0.5~0.6mm或0.8~1.1mm之间的打包带, 开机前需微调送带机构; 9mm带子要选配右导轨组。

Notes: ①Configurations are flexible, which can be selected according to customer's requirements. Contact your sales representative to receive more information about the machine.
②Please specify tape width, package size and strap size when placing order. Custom specifications are available to meet specific requirements.
③the users need to adjust the belt feeding mechanism a little bit if the width is 9-11mm or 13-15mm, and the thickness is 0.5-0.6mm or 0.8-1.1mm. moreover, right guiding rail assembly is needed if the strap width is 9mm.



Parameters	XFK-1D
电源电压(V/Hz) Voltage	AC 380/50 220/50 110/60
总功率(W) Gross Power	1050
最大纸箱尺寸(LxWxH)(mm) Max. Carton Size	600 × 500 × 500
最小纸箱尺寸(LxWxH)(mm) Min. Carton Size	300 × 130 × 180
流水线速度(m/min) Speed	16
生产能力(PCS/h) Capacity	600
工作台面高度(mm) Height of Table	450
封箱胶带(mm) Adhesive tape	BOPP, 免水胶带, water-free adhesive tape, PVC adhesive tape. width: 48、60 76 (选配Optional)
适用打包带(mm) Strap used	机用塑料打包带 Plastic Strapping belt, width 9~15, 厚Thickness 0.5~1.1
外形尺寸(LxWxH)(mm) External Dimensions	2650 × 1900 × 1600

XFK-1D 基本设备配置:
SJG-100/66 无动力辊筒输送机 1台
KZD-8060/D 低台全自动捆扎机 1台
FXJ-5050LD 胶带封箱机 1台

Configuration:
SJG-100/66 Non-drive Roller Conveyor 1set
KZD-8060/D Low-table Automatic Strapping Machine 1set
FXJ-5050LD Semiautomatic Carton Sealer 1set

注: ①以上配置为基本配置, 可按客户需求选用, 更多相关信息请向销售人员索取。
②订货时请注明封箱胶带宽度、包件大小和打包带规格。可按客户需求定制特殊规格的封箱捆扎包装流水线。
③使用宽度9~11mm或13~15mm之间、厚度0.5~0.6mm或0.8~1.1mm之间的打包带, 开机前需微调送带机构; 9mm带子要选配右导轨组。

Notes: ①Configurations are flexible, which can be selected according to customer's requirements. Contact your sales representative to receive more information about the machine.
②Please specify tape width, package size and strap size when placing order. Custom specifications are available to meet specific requirements.
③the users need to adjust the belt feeding mechanism a little bit if the width is 9-11mm or 13-15mm, and the thickness is 0.5-0.6mm or 0.8-1.1mm. moreover, right guiding rail assembly is needed if the strap width is 9mm.



纸箱自动折盖封箱捆扎生产线 XFK-2

AUTOMATIC CARTON SEALING STRAPPING PACKAGING LINE



XFK-2基本设备配置:

SJG-100/66无动力辊筒输送机 2台
FXJ-5050Z自动折盖胶带封箱机 1台
SJGL-100/66链条传动辊筒输送机 1台
KZW-8060/D无人化全自动捆扎机 1台

Configuration:

SJG-100/66 Non-drive Roller Conveyor 2set
FXJ-5050Z Auto Flap Carton Sealer 1set
SJGL-200/66 Chain Driven Roller Conveyor 1set
KZW-8060/B High-table Automatic Strapping Machine 1set

XFK-2

Parameters	XFK-2C	XFK-2D
电源电压(V/Hz) Voltage	AC 380/50 220/50 110/60	AC 380/50 220/50 110/60
总功率(W) Gross Power	1700	1700
气源压力(Mpa) Air Compressor	0.5~0.6	0.5~0.6
最大纸箱尺寸(LxWxH)(mm) Max. Carton Size	600×500×500	600×500×500
最小纸箱尺寸(LxWxH)(mm) Min. Carton Size	180×260×180	180×260×180
流水线速度(m/min) Speed	16	16
生产能力(PCS/h) Productive Capacity	600	600
工作台面高度(mm) Height of Table	750	450
封箱胶带(mm) Adhesive tape	BOPP,免水胶带, water-free adhesive tape, PVC adhesive tape.宽度:48、60 76(选配Optional)	
适用打包带(mm) Strap used	机用塑料打包带 Plastic Strapping belt, 宽度9~15, 厚Thickness 0.5~1.1	
外形尺寸(Lx W x H)(mm) External Dimensions	6650×1420×1565	6650×1820×1600

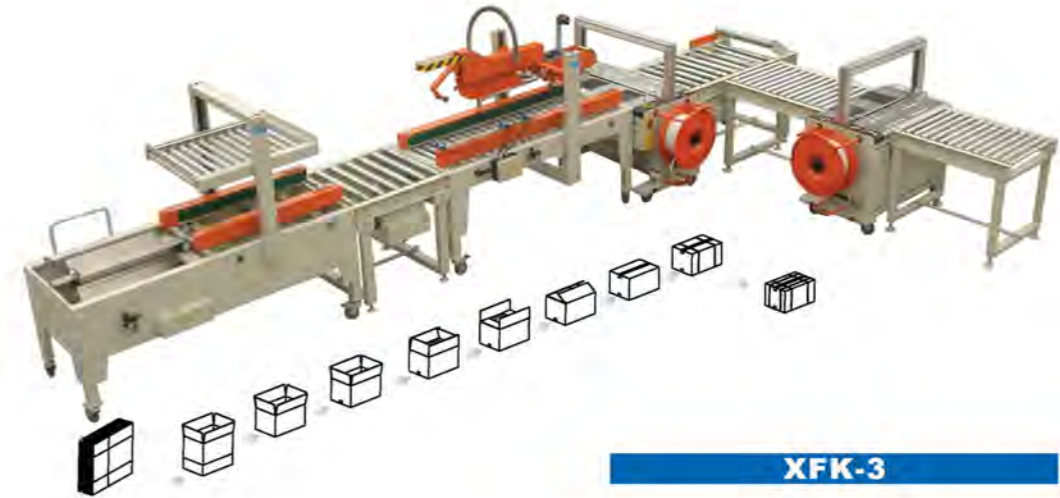
注: ①以上配置为基本配置, 可按客户需求选用, 更多相关信息请向销售人员索取。
②订货时请注明封箱胶带宽度、包件大小和打包带规格。可按客户需求定制特殊规格的封箱捆扎包装流水线。
③使用宽度9~11mm或13~15mm之间、厚度0.5~0.6mm或0.8~1.1mm之间的打包带, 开机前需微调送带机构; 9mm带子要选配右导轨组。

Notes:①Configurations are flexible, which can be selected according to customer's requirements. Contact your sales representative to receive more information about the machine.
②Please specify tape width, package size and strap size when placing order. Custom specifications are available to meet specific requirements.
③the users need to adjust the belt feeding mechanism a little bit if the width is 9-11mm or 13-15mm, and the thickness is 0.5-0.6mm or 0.8-1.1mm. moreover, right guiding rail assembly is needed if the strap width is 9mm.



XFK-3 纸箱自动折盖井字形捆扎生产线

AUTOMATIC CARTON SEALING STRAPPING PACKAGING LINE



XFK-3

基本配置:

DZF-5050 半自动折底胶带封箱机 1台
SJG-100/66 无动力辊筒输送机 2台
FXJ-5050Z 自动折盖封箱机 1台
SJGL-100/66 链条传动辊筒输送机 2台
KZW-8060/D 无人化全自动捆扎机 2台
SJZG-140/66 直角转向链条传动辊筒输送机 1台
XFK-3电气控制柜 1台

Configuration:

DZF-5050 Semiautomatic Bottom Flap Carton Sealer 1set
SJG-100/66 Non-drive Roller Conveyor 2set
FXJ-5050Z Auto flap Carton Sealer 1set
SJGL-100/66 Chain Drive Roller Conveyor 2set
KZW-8060/C High-table Automatic Strapping Machine 2set
SJZG-140/66 Vertical-turning Chain Drive Roller Conveyor 1set
XFK-3 Control Cabinet 1set

Parameters	XFK-3
电源电压(V/Hz) Voltage	单相Single phase AC 220/50 或三相 3 Phases 380/50
总功率(W) Gross power	4100
气源压力(Mpa) Air Compressor	0.5~0.6
最大纸箱尺寸(LxWxH)(mm) Max. Carton Size	500×400×450
最小纸箱尺寸(LxWxH)(mm) Min. Carton Size	180×260×180
流水线速度(m/min) Speed	16
生产能力(pcs/h) Productive Capacity	600
工作台面高度(mm) Height of Table	750
封箱胶带(mm) Adhesive tape	BOPP,免水胶带, water-free adhesive tape, PVC adhesive tape.宽度:48、60 76(选配Optional)
适用打包带(mm) Strap used	机用塑料打包带Plastic strapping belt, 宽度9~15, 厚Thickness 0.5~1.1
外形尺寸(Lx W x H)(mm) External Dimensions	呈L形, 7850×3500×1700

注: ①以上配置为基本配置, 可按客户需求选用, 更多相关信息请向销售人员索取。
②订货时请注明封箱胶带宽度、包件大小和打包带规格。可按客户需求定制特殊规格的封箱捆扎包装流水线。
③使用宽度9~11mm或13~15mm之间、厚度0.5~0.6mm或0.8~1.1mm之间的打包带, 开机前需微调送带机构; 9mm带子要选配右导轨组。

Notes:①Configurations are flexible, which can be selected according to customer's requirements. Contact your sales representative to receive more information about the machine.
②Please specify tape width, package size and strap size when placing order. Custom specifications are available to meet specific requirements.
③the users need to adjust the belt feeding mechanism a little bit if the width is 9-11mm or 13-15mm, and the thickness is 0.5-0.6mm or 0.8-1.1mm. moreover, right guiding rail assembly is needed if the strap width is 9mm.



WeChat
公众微信号



Official Website
官方网站



Catalogue PDF
样本PDF版



华联机械集团有限公司

地址：温州市高翔工业区大维路2号

邮编：325006

电话：0577-89989999（总机）

传真：0577-89989966

E-mail: hualian@hualian.biz

国内销售

电话：0577-89989981 89989982 89989983 89989956

传真：0577-89989968

E-mail: sales@hualian.biz

华联机械集团温州进出口有限公司

HUALIAN MACHINERY GROUP WENZHOU IMPORT&EXPORT CO.,LTD

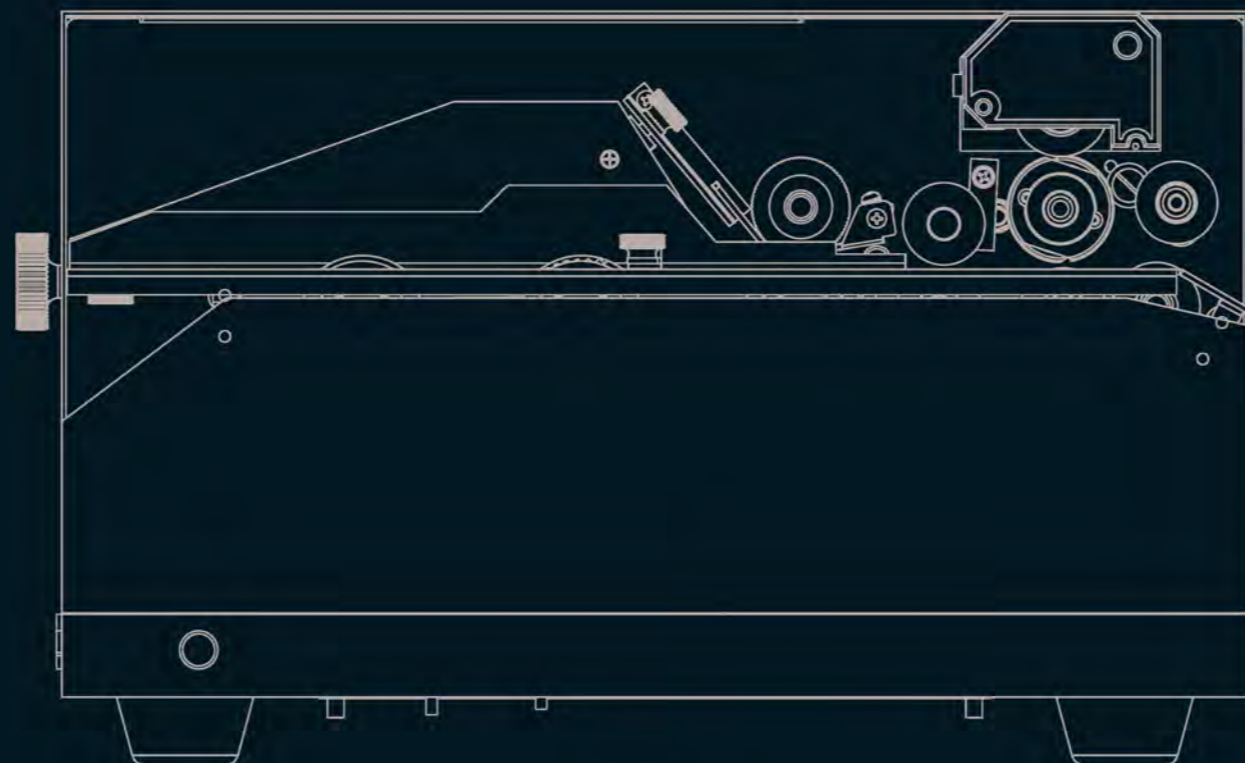
地址：温州市高翔工业区大维路2号

Add: No.2 Dawei Road, Gaoxiang Industrial Park, Wenzhou, China

P.C.: 325006

Tel: +86-577-88627766 88627768 88608008

E-mail: hl@hualian.biz hl@hualianmachinery.com





Intelligent Packaging Integrated Solution System Provider
智能包装整体解决方案系统服务商



Intelligent Packaging Integrated Solution System Provider
智能包装整体解决方案系统服务商



COMPANY PROFILE 公司简介

华联机械集团创建于1989年，是经国家工商总局核准成立的无区域企业集团。集团以包装机械为主业，以智能化后道包装系统的研发制造、销售服务为核心业务，是面向全球市场的包装机械供应商。公司设有省级智能包装装备研究院、省级企业技术中心，拥有两个大型生产基地，占地10万M²。自第一台“华联牌”连续式封口机诞生以来，华联机械迄今已形成系列化、规模化生产的产品有7大板块200多种，年生产销售超10万台套各类包装机械，产品销售到全球100多个国家。集团被评为“中国包装行业百强”和“中国包装机械行业30强”企业，并连续多年荣获中国包装机械十大知名品牌。

Hualian Machinery Group was founded in 1989, now has two production bases covering an area of more than 100,000 square meters with one packaging machinery high and new technology R&D Center. There are 7 categories with more than 200 kinds of products which have formed series and have been put into lot production, including sealer, vacuum packaging machine, carton sealer, strapping machine, shrinking packaging machine, automatic packaging machine and so on. Hualian manufactures and sales more than 100,000 sets of variety of packaging machines per year and export to over 100 countries. We have rich experience in OEM. Company has passed ISO9001:2008 Quality Management System and ISO14001 Environmental Management System and OHSAS18001 Occupational Health Management System and main products have obtained European CE certificate. In 2017 Hualian passed BSCI certificate from UL company.





立式自动包装机

AUTOMATIC Vertical PACKAGING MACHINE



DXDK SERIES 颗粒自动包装机

AUTOMATIC GRANULE PACKAGING MACHINE



Parameters	DXDK-40 II
电源电压(V/Hz)Voltage	AC 220/50 110/60
功率(W) Power	1700
生产能力(bags/min)Capacity	50-80
包装容量(ml)Packing Capacity	5-40
制袋长度(mm) Length of Bag	50-110
制袋宽度(mm)Width of Bag	20-80
外形尺寸(L×W×H)(mm)External Dimensions	790 × 600 × 1780
净重(kg)Net Weight	300
制袋形式 Shape of Bag	

Parameters	DXDK-150 II	DXDK-500 II
电源电压(V/Hz)Voltage	AC 220/50 110/60	AC 220/50 110/60
功率(W) Power	1700	1750
生产能力(bags/min)Capacity	35-75	15-70
包装容量(ml)Packing Capacity	30-150	100-500
制袋长度(mm) Length of Bag	50-150	50-220
制袋宽度(mm)Width of Bag	20-110	30-150
外形尺寸(L×W×H)(mm) External Dimensions	790 × 600 × 1780	1150 × 860 × 1850
净重(kg)Net Weight	300	320
制袋形式 Shape of Bag		



DXDK-150 II



颗粒自动包装机 DXDK SERIES AUTOMATIC GRANULE PACKAGING MACHINE



Parameters	DXDK-1000 II	DXDK-2000 II
电源电压(V/Hz)Voltage	AC 220/50 110/60	
功率(W) Power	1950	1950
生产能力 (bags/min) Capacity	15-50	15-35
包装容量(ml) Packing Capacity	200-1000	1000-2000
制袋长度(mm) Length of Bag	50-250	50-300
制袋宽度(mm) Width of Bag	50-200	50-220
外形尺寸(L×W×H)(mm) External Dimensions	1150×860×2070	1150×860×2170
净重(kg) Net Weight	330	350
制袋形式 Shape of Bag		

DXDK-500V 立式颗粒抽气包装机 Automatic Granule Packaging Machine With Air-extracting

Parameters	DXDK-500V	
电源电压(V/Hz)Voltage	AC 220/50	
生产能力(MI) Packing capacity	50-500	
功率(KW) Power	1.8	
包装速度(bags/min) Packing speed	20-30	
制袋尺寸 Bag size	长度(mm) Length	50-220
	宽度 (mm) Width	30-150
净重 (kg) Weight	320	
外形尺寸(L x W x H) mm Dimension	1100x800x1900	
制袋形式 Shape of Bag		



DXDD SERIES 链斗式自动包装机 AUTOMATIC PACKAGING MACHINE WITH CHAIN-HOPPER

Parameters	DXDD-40 II
电源电压(V/Hz)Voltage	AC 220/50 110/60
功率(W) Power	1300
生产能力 (bags/min) Capacity	50-90
包装容量(ml) Packing Capacity	5-40
制袋长度(mm) Length of Bag	50-110
制袋宽度(mm) Width of Bag	30-80
外形尺寸(L×W×H)(mm) External Dimensions	1140×600×1780
净重(kg) Net Weight	350
制袋形式 Shape of Bag	



Parameters	DXDD-150 II	DXDD-500 II
电源电压(V/Hz)Voltage	AC 220/50 110/60	AC 220/50 110/60
功率(W) Power	1700	1750
生产能力 (bags/min) Capacity	35-70	25-50
包装容量(ml) Packing Capacity	5-150	20-200
制袋长度(mm) Length of Bag	80-150	50-200
制袋宽度(mm) Width of Bag	30-110	30-150
外形尺寸(L×W×H)(mm) External Dimensions	1150×600×1780	1120×900×1950
净重(kg) Net Weight	400	500
制袋形式 Shape of Bag		



液体自动包装机 DXDY-1000A SERIES AUTOMATIC LIQUID PACKAGING MACHINE



Parameters	DXDY-1000A/II
电源电压(V/Hz)Voltage	AC 220/50 380/50
功率(W)Power	1200
生产能力(bags/min) Capacity	1500~2100
薄膜宽度 (mm) Film Width	240/320
标准制袋尺寸(mm)Standard Size of Bag	(长L)50~170 (宽W)50~150
包装容量(ml) Packing Capacity	200~500
外形尺寸(L×W×H)(mm)External Dimensions	850×750×1600
净重(kg)Net Weight	350

Parameters	DXDY-1000A/III
电源电压(V/Hz)Voltage	AC 220/50 380/50
功率(W)Power	1200
生产能力(bags/min) Capacity	1000
薄膜宽度 (mm) Film Width	240/320/360
标准制袋尺寸(mm)Standard Size of Bag	(长L)50~205 (宽W)50~170
包装容量(ml) Packing Capacity	200~1000
外形尺寸(L×W×H)(mm) External Dimensions	950×850×1900
净重(kg)Net Weight	420



DXDY-BN SERIES 液体自动包装机 AUTOMATIC LIQUID PACKAGING MACHINE

Parameters	DXDY-20BN II
电源电压(V/Hz)Voltage	AC 220/50 110/60
功率 (W) Power	1700
生产能力 (bags/min)Capacity	50~200
包装容量(ml)Packing Capacity	5~20
制袋长度(mm) Length of Bag	50~110
制袋宽度(mm)Width of Bag	30~80
外形尺寸(L×W×H)(mm) External Dimensions	790×600×1780
净重(kg)Net Weight	350
制袋形式 Shape of Bag	



Parameters	DXDY-50BN II
电源电压(V/Hz)Voltage	AC 220/50 110/60
功率 (W) Power	1700
生产能力 (bags/min)Capacity	50~200
包装容量(ml)Packing Capacity	10~50
制袋长度(mm) Length of Bag	50~110
制袋宽度(mm)Width of Bag	30~80
外形尺寸(L×W×H)(mm) External Dimensions	790×600×1780
净重(kg)Net Weight	400
制袋形式 Shape of Bag	



Parameters	DXDY-100BN II	DXDY-500BN II	DXDY-1000BN II
电源电压(V/Hz)Voltage	AC 220/50 110/60	AC 220/50 110/60	AC 220/50 110/60
功率 (W) Power	1700	1750	1950
生产能力 (bags/min)Capacity	30~70	30~70	25~60
包装容量(ml)Packing Capacity	20~100	50~500	100~1000
制袋长度(mm) Length of Bag	80~150	50~220	50~250
制袋宽度(mm)Width of Bag	30~100	30~150	50~200
外形尺寸(L×W×H)(mm) External Dimensions	790×600×1780	1120×900×1950	1120×920×2050
净重(kg)Net Weight	400	480	500

制袋形式 Shape of Bag







膏状自动包装机 DXDG SERIES AUTOMATIC PASTE PACKAGING MACHINE



Parameters	DXDG-20 II
电源电压(V/Hz)Voltage	AC 220/50 110/60
功率(W) Power	1700
生产能力(bags/min) Capacity	50~80
包装容量(ml)Packing Capacity	5~20
制袋长度(mm) Length of Bag	50~110
制袋宽度(mm)Width of Bag	30~90
外形尺寸(L×W×H)(mm) External Dimensions	790 × 600 × 1780
净重(kg)Net Weight	350
制袋形式 Shape of Bag	



Parameters	DXDG-100 II
电源电压(V/Hz)Voltage	AC 220/50 110/60
功率(W) Power	1750
生产能力(bags/min) Capacity	30~60
包装容量(ml)Packing Capacity	20~100
制袋长度(mm) Length of Bag	80~220
制袋宽度(mm)Width of Bag	30~150
外形尺寸(L×W×H)(mm) External Dimensions	790 × 600 × 1780
净重(kg)Net Weight	400
制袋形式 Shape of Bag	

Parameters	DXDG-50 II	DXDG-500 II	DXDG-1000 II
电源电压(V/Hz)Voltage	AC 220/50 110/60		
功率(W) Power	1700	1750	1950
生产能力(bags/min) Capacity	40~70	30~60	25~60
包装容量(ml)Packing Capacity	10~50	50~500	100~1000
制袋长度(mm) Length of Bag	80~150	50~220	50~250
制袋宽度(mm)Width of Bag	30~110	30~150	50~220
外形尺寸(L×W×H)(mm)External Dimensions	790 × 600 × 1780	1120 × 900 × 1950	1120 × 920 × 2050
净重(kg)Net Weight	350	480	500
制袋形式 Shape of Bag			



DXDF SERIES 粉剂自动包装机 AUTOMATIC POWDER PACKAGING MACHINE


Parameters	DXDF-30AX	DXDF-60AX
电源电压(V/Hz)Voltage	AC 220/50 110/60	AC 220/50 110/60
功率(W) Power	1800	2100
生产能力(bags/min) Capacity	30~55	25~50
包装容量(ml)Packing Capacity	3~30	5~60
制袋长度(mm) Length of Bag	30~200	30~200
制袋宽度(mm)Width of Bag	25~130	25~130
外形尺寸(L×W×H)(mm) External Dimensions	1060 × 720 × 1800	1060 × 720 × 1800
净重(kg)Net Weight	235	245
制袋形式 Shape of Bag		



DXDF-60AX

Parameters	DXDF-100AX
电源电压(V/Hz)Voltage	AC 220/50 110/60
功率(W) Power	1700
生产能力(bags/min) Capacity	20~40
包装容量(ml)Packing Capacity	10~100
制袋长度(mm) Length of Bag	50~200
制袋宽度(mm)Width of Bag	50~150
外形尺寸(L×W×H)(mm) External Dimensions	1130 × 860 × 1950
净重(kg)Net Weight	450
制袋形式 Shape of Bag	



Parameters	DXDF-20AX	DXDF-50AX	DXDF-500AX	DXDF-1000AX	DXDF-2000AX
电源电压(V/Hz)Voltage	AC 220/50 110/60				
功率(W) Power	1300	1500	2200	2400	2800
生产能力(bags/min) Capacity	35~55	25~50	35~50	10~20	5~30
包装容量(ml)Packing Capacity	2~20	5~50	100~500	100~1000	200~2000
制袋长度(mm) Length of Bag	35~110	80~150	50~270	50~290	50~310
制袋宽度(mm)Width of Bag	25~80	70~100	50~150	50~200	50~220
外形尺寸(L×W×H)(mm) External Dimensions	1060 × 720 × 1800	1060 × 720 × 1800	1260 × 860 × 2070	1260 × 860 × 2170	1260 × 860 × 2200
净重(kg)Net Weight	370	340	380	400	450
制袋形式 Shape of Bag					



片剂自动包装机 DXDP SERIES AUTOMATIC TABLET PACKAGING MACHINE



Parameters	DXDP-500 III
电源电压(V/Hz) Voltage	AC 220/50 110/60
功率(W) Power	1500
生产能力(bags/min) Product Capacity	35~70
包装容量(ml) Packing Capacity	50~500
制袋长度(mm) Length of Bag	50~220
制袋宽度(mm) Width of Bag	30~150
外形尺寸(L×W×H)(mm) External Dimensions	1150×860×1970
净重(kg) Net Weight	400
制袋形式 Shape of Bag	

Parameters	DXDP-20 III	DXDP-40 III	DXDP-150 III
电源电压(V/Hz) Voltage		AC 220/50 110/60	
功率(W) Power	1300	1500	1700
生产能力(bags/min) Product Capacity	18~100	50~90	35~75
包装容量(ml) Packing Capacity	0.5~20	5~40	30~150
制袋长度(mm) Length of Bag	35~85	50~110	80~150
制袋宽度(mm) Width of Bag	25~70	30~80	30~110
外形尺寸(L×W×H)(mm) External Dimensions	930×720×1870	930×720×1870	1060×720×1870
净重(kg) Net Weight	350	350	400
制袋形式 Shape of Bag			



DXD-Z SERIES 粽形自动包装机 AUTOMATIC PYRAMIDAL SHAPE BAG PACKAGING MACHINE



Parameters	DXDK-100Z II
电源电压(V/Hz) Voltage	AC 220/50 110/60
功率(W) Power	2100
生产能力(bags/min) Capacity	30~70
包装物料 Packing object	颗粒 Granule
包装容量(ml) Packing Capacity	15~100
制袋长度(mm) Length of Bag	50~220
制袋宽度(mm) Width of Bag	30~80
外形尺寸(L×W×H)(mm) External Dimensions	1100×950×1900
净重(kg) Net Weight	450

Parameters	DXDY-100Z II	DXDG-100Z II	DXDF-100ZAX	DXDF-100Z-A
电源电压(V/Hz) Voltage		AC 220/50 110/60		
功率(W) Power	2100	2100	2000	2000
生产能力(bags/min) Capacity	25~60	30~70	20~40	20~40
包装物料 Packing object	液体 Liquid	膏状 Paste	粉剂 Powder	粉剂 Powder
包装容量(ml) Packing Capacity	10~100	10~100	10~100	10~100
制袋长度(mm) Length of Bag	50~80	50~80	50~80	50~80
制袋宽度(mm) Width of Bag	30~80	30~80	30~80	30~80
外形尺寸(L×W×H)(mm) External Dimensions	1100×950×1900		1130×860×1950	
净重(kg) Net Weight	375	375	375	375



M折自动包装机DXD-M SERIES AUTOMATIC SHAPE PACKAGING MACHINE



Parameters	DXDK-150M II
电源电压(V/Hz)Voltage	AC 220/50 110/60
功率(W) Power	1700
生产能力 (bags/min)Capacity	35~75
包装物料 Packing object	颗粒Granule
包装容量(ml)Packing Capacity	50~150
制袋长度(mm) Length of Bag	80~150
制袋宽度(mm)Width of Bag	30~110
外形尺寸(L×W×H)(mm) External Dimensions	1120×900×1950
净重(kg)Net Weight	400



Parameters	DXDK-500M II
电源电压(V/Hz)Voltage	AC 220/50 110/60
功率(W) Power	1750
生产能力 (bags/min) Capacity	30~70
包装物料 Packing object	颗粒Granule
包装容量(ml)Packing Capacity	50~500
制袋长度(mm) Length of Bag	50~220
制袋宽度(mm)Width of Bag	30~150
外形尺寸(L×W×H)(mm) External Dimensions	1120×900×1950
净重(kg)Net Weight	400

Parameters	DXDK-1000M II	DXDF-500MAX	DXDF-1000MAX	DXDF-500MA	DXDF-1000MA
电源电压(V/Hz)Voltage	AC 220/50 110/60				
功率(W) Power	1950	2200	2400	4000	4300
生产能力 (bags/min) Capacity	25~60	15~30	5~30	15~30	5~30
包装物料 Packing object	颗粒Granule	粉剂Powder	粉剂Powder	粉剂Powder	粉剂Powder
包装容量(ml)Packing Capacity	100~1000	100~500	100~1000	100~500	200~1000
制袋长度(mm) Length of Bag	50~250	50~220	50~250	50~220	50~250
制袋宽度(mm)Width of Bag	50~200	30~150	50~200	30~150	50~200
外形尺寸(L×W×H)(mm) External Dimensions	1120×920×2050	1002×870×2700		1370×870×2700	
净重(kg)Net Weight	420	500	550	650	700



DXDC SERIES 茶袋自动包装机 AUTOMATIC TEA BAG PACKAGING MACHINE

Parameters	DXDC-125
电源电压(V/Hz)Voltage	AC 220/50 110/60
功率(W) Power	1300
生产能力 (bags/min)Capacity	35~70
包装容量(ml)Packing Capacity	1.5~40
制袋长度(mm) Length of Bag	50~110
制袋宽度(mm)Width of Bag	30~80
线长(mm)Thread Length	160
标签尺寸(mm)Tag Size	无标签 Without Tag
外形尺寸(L×W×H)(mm) External Dimensions	930×720×1850
净重(kg)Net Weight	280
制袋形式 Shape of Bag	



Parameters	DXDC-6
电源电压(V/Hz)Voltage	AC 220/50 110/60
功率(W) Power	1500
生产能力 (bags/min)Capacity	35~70
包装容量(ml)Packing Capacity	1.5~40
制袋长度(mm) Length of Bag	50~110
制袋宽度(mm)Width of Bag	40~80
线长(mm)Thread Length	160
标签尺寸(mm)Tag Size	(15~20)×(15~20)
外形尺寸(L×W×H)(mm) External Dimensions	1100×1000×1900
净重(kg)Net Weight	400
制袋形式 Shape of Bag	



湿巾自动包装机DXDB SERIES AUTOMATIC WET TISSUE PACKAGING MACHINE



Parameters	DXDB-200
电源电压(V/Hz)Voltage	AC 220/50
功率 (W) Power	2600
湿巾折叠形式 Wet Tissue Folded Type	纵向最多8折 横向最多4折 Max. 8 longitudinal plies, 4 cross plies
湿巾尺寸(mm)Size of Wet Tissue	(长L)45~125 (宽W) 50~100mm
制袋尺寸(mm) Size of Bag	(长L) 80~220 (宽W) 70~220mm
生产能力(bags/min) Capacity	50~90
外形尺寸(L×W×H)(mm) External Dimensions	900×1400×2040
净重(kg)Net Weight	800



Parameters	CJS-25 H
电源电压 (V/Hz)Voltage	220/50
功率 (W)Power	1000
称重范围 (kg/bag)Weighing Range	2~25
称量速度 (bags/h)Weighing Speed	480
称量精度 Weighing Accuracy	±0.2%
净重 (kg)Net Weight	350



Parameters	CJD-25 Z
电源电压 (V/Hz)Voltage	380/50 (3PH)
气源压力(kg/cm ²)Gassource pressure	6
称重范围 (kg/bag)Weighing Range	25~50
称量速度(Bags/h)Weighing Speed	800
称量精度Weighing Accuracy	±0.2%
物料种类 (mm)Material type	颗粒Granule 0.2~25
包装袋种类Packing bag type	纸袋、多层纸袋或纸塑 (PE) 复合袋 Paper bag, Multi-layer paper bag or paper plastic (PE) compound Bag
包装袋规格(mm)Packing bag size	袋口宽度Bag top width 400~600, 袋长Bag length700~950

订货时请提供以下参数: 1.物料的特性; 2.每袋物料的重量; 3.用户所要求的包装能力; 4.厂房(安装场所)的空间尺寸;
5.用户对有关称重设备的要求。我公司可按用户需求进行非标准电子秤的设计、制造。

Please provide following parameters while placing order:
1. Material specialty 2. Weight per bag 3. Required capacity 4. Workshop (installation site) space size 5. Requirements on weighing equipment
Our company can offer nonstandard electronic weighing machine according to customers' requirements.



EWM SERIES自动称重灌装机 AUTOMATIC ELECTRONIC WEIGHING FILLING MACHINE

Parameters	EWM-5000
电源电压(V/Hz)Voltage	AC 220/50 110/60
功率 (W) Power	1500
最大称量(g) Max. Metering Capacity	5000
称量速度(Time/Min) Metering Speed	8~18
称量精度 Weighing Accuracy	±0.7%
外形尺寸(L×W×H)(mm) External Dimensions	920×780×1900
净重(kg)Net Weight	170



Parameters	EWM-2000	EWM-3000
电源电压(V/Hz)Voltage	AC 220/50 110/60	AC 220/50 110/60
功率 (W) Power	900	900
最大称量(g) Max. Metering Capacity	2000	3000
称量速度(Time/Min) Metering Speed	15~25	10~22
称量精度 Weighing Accuracy	±0.4%	±0.5%
外形尺寸(L×W×H)(mm) External Dimensions	920×600×1850	920×600×1850
净重(kg)Net Weight	150	150

KFG SERIES颗粒粉剂灌装机 AUTOMATIC GRAINULE/POWDER FILLING MACHINE

Parameters	KFG-250
电源电压(V/Hz)Voltage	AC 220/50 110/60
功率 (W) Power	200
生产能力 (bags/min) Capacity	50
包装容量(ml)Packing Capacity	50~250
外形尺寸(L×W×H)(mm) External Dimensions	650×450×1600
净重(kg)Net Weight	100



Parameters	KFG-500	KFG-1000	KFG-2000	KFG-3000
电源电压(V/Hz)Voltage	AC 220/50 110/60			
功率 (W) Power	200	200	200	200
生产能力 (bags/min) Capacity	40	35	25	20
包装容量(ml)Packing Capacity	250~500	500~1000	1000~2000	1000~3000
外形尺寸(L×W×H)(mm) External Dimensions	650×450×1600		650×500×1800	
净重(kg)Net Weight	100	120	120	120



微机控制螺杆下料粉剂自动灌装机 FLG SERIES

AUTOMATIC SCREW BLANKING POWDER FILLING MACHINE



Parameters	FLG-500A
电源电压(V/Hz) Voltage	AC 220/50 110/60
功率 (W) Power	700
生产能力 (bags/min) Capacity	40
包装容量(ml) Packing Capacity	50~500
外形尺寸(L×W×H)(mm) External Dimensions	1030 × 600 × 1850
净重(kg) Net Weight	165

Parameters	FLG-20A	FLG-2000A	FLG-5000A
电源电压(V/Hz) Voltage		AC 220/50 110/60	
功率 (W) Power	700	900	1300
生产能力 (bags/min) Capacity	50	30	25
包装容量(ml) Packing Capacity	1~20	200~2000	500~5000
外形尺寸(L×W×H)(mm) External Dimensions	1030 × 600 × 1850	1030 × 600 × 1950	1060 × 600 × 2070
净重(kg) Net Weight	141	170	250

Z-P3 SERIES 上料机

AUTOMATIC FEEDING MACHINE

Parameters	ZS-P3
电源电压(V/Hz) Voltage	AC 380/50 220/60 (3PH)
功率 (Kw) Power	0.4
生产能力 (m³/h) Capacity	2
外形尺寸(L×W×H)(mm) External Dimensions	3100 × 860 × 1000
净重(kg) Net Weight	100



Parameters	ZH-P3
电源电压(V/Hz) Voltage	AC 380/50 220/60 (3PH)
功率 (Kw) Power	1.5
生产能力 (m³/h) Capacity	2.2
外形尺寸(L×W×H)(mm) External Dimensions	3060 × 760 × 820
净重(kg) Net Weight	100



HLWP SERIES 组合称量全自动包装系统

AUTOMATIC WEIGHING PACKAGING MACHINE



HLWP组合称量全自动包装系统可全自动完成送料、计量、充填制袋、打印日期、成品输出的全部过程。

技术特性:

- 1、计量精度高、效率高。
- 2、不碎料。
- 3、配备安全防护，符合企业安全管理要求。
- 4、采用PLC控制伺服电机双拉或单拉膜结构、封切位置均采用电机自动纠偏装置，超大显示触摸屏机构驱动控制核心，最大限度地提高了整机控制精度、可靠性和智能化程度。

适用范围:

本组合称量全自动包装系统适合要求计量精度高及易碎的散状体的包装，如：膨化食品、薯片、锅巴、果冻、糖果、开心果、苹果片、水饺、汤圆、药材等。

根据客户需要HLWP组合称量全自动包装系统可包括以下设备:

- 1、立式自动包装主机
- 2、计量设备
- 3、物料提升机
- 4、振动送料机
- 5、支撑平台
- 6、成品输送机

HLWP 组合称量全自动包装系统

AUTOMATIC WEIGHING PACKAGING MACHINE

Description:

HLWP automatic weighing packaging machine can automate the process of feeding, weighing, bag filling, sealing, date printing, finished products conveying, etc.

Features:

1. High precision, high efficiency
2. No damage to the material
3. Equipped with safety protection, conform to firm's safety;
4. Use PLC control servo electrical double-pull or single pull membrane structure, super touch screen structure drives the control center; maximize the whole machine's control precision, reliability and intelligent level.

Application:

HLWP automatic weighing packaging machine is used to pack fragile bulk materials with requirement of high counting precision such as puffed food, potato chip, crispy rice, jelly, candy, pistachio, apple slice, rice dumplings and drug etc.

HLWP automatic weighing packaging machine includes the following equipments according to customer request:

1. Large Vertical Automatic Packaging Machine
2. Measuring Equipments
3. Material Lifter
4. Vibration Feeder
5. Supporting Platform
6. Finished Products Conveyor



卧式自动包装机

AUTOMATIC HORIZONTAL PACKAGING MACHINE



DXDZ SERIES 卧式枕型自动包装机

PILLOW TYPE AUTOMATIC HORIZONTAL PACKAGING MACHINE

Parameters	DXDZ-250B
电源电压(V/Hz) Voltage	AC 220/50 110/60
功率(W) Power	2400
薄膜宽度(mm) Film Width	Max. 250
制袋长度(mm) Length of Bag	65~190 or 120~280
制袋宽度(mm) Width of Bag	30~110
产品高度(mm) Height of Product	Max. 40
卷膜直径(mm) Film Roll Diameter	Max. 320
包装速度 (Bags/Min) Capacity	40~230
外形尺寸 (L×W×H)(mm) External Dimensions	3770×640×1450
净重(kg) Net Weight	800



Parameters	DXDZ-350B
电源电压(V/Hz) Voltage	AC 220/50 110/60
功率(W) Power	2600
薄膜宽度(mm) Film Width	Max. 350
制袋长度(mm) Length of Bag	65~190 or 120~280
制袋宽度(mm) Width of Bag	50~160
产品高度(mm) Height of Product	Max. 45
卷膜直径(mm) Film Roll Diameter	Max. 320
包装速度 (Bags/Min) Capacity	40~230
外形尺寸 (L×W×H)(mm) External Dimensions	4020×745×1450
净重(kg) Net Weight	900
备注 Remarks	可选装充气装置 Fill gas equipment (optional)



Parameters	DXDZ-250D	DXDZ-250S	DXDZ-350D	DXDZ-450B
电源电压(V/Hz) Voltage	AC 220/50 110/60		AC 220/50 110/60	
功率(W) Power	2400	2400	2600	2600
薄膜宽度(mm) Film Width	Max. 250	Max. 180	Max. 350	Max. 450
制袋长度(mm) Length of Bag	90~220	45~90	90~220 or 150~330	130~450
制袋宽度(mm) Width of Bag	30~110	38~80	50~160	50~180
产品高度(mm) Height of Product	Max. 60	Max. 35	Max. 60	Max. 70
卷膜直径(mm) Film Roll Diameter	Max. 320	Max. 320	Max. 320	Max. 320
包装速度 (Bags/Min) Capacity	40~230	60~330	40~230	30~180
外形尺寸 (L×W×H)(mm) External Dimensions	3770×640×1450		4020×745×1450	4020×820×1450
净重(kg) Net Weight	800	800	900	900
备注 Remarks	可选装充气装置 Fill gas equipment (optional)		可选装充气装置 Fill gas equipment (optional)	



下走纸式卧式枕型自动包装机DXDZ-X SERIES

DOWN-PAPER PILLOW TYPE AUTOMATIC HORIZONTAL PACKAGING MACHINE



Parameters	DXDZ-250X
电源电压(V/Hz) Voltage	AC 220/50 110/60
功率(W) Power	2400
薄膜宽度(mm) Film Width	Max. 250
制袋长度(mm) Length of Bag	65~190 or 120~280
制袋宽度(mm) Width of Bag	30~110
产品高度(mm) Height of Product	Max. 40
卷膜直径(mm) Film Roll Diameter	Max. 320
包装速度(Bags/Min) Capacity	40~230
外形尺寸(L×W×H)(mm) External Dimensions	3920×670×1320
净重(kg) Net Weight	600



Parameters	DXDZ-350X
电源电压(V/Hz) Voltage	AC 220/50 110/60
功率(W) Power	2800
薄膜宽度(mm) Film Width	Max. 350
制袋长度(mm) Length of Bag	65~190 or 120~280
制袋宽度(mm) Width of Bag	50~160
产品高度(mm) Height of Product	Max. 40
卷膜直径(mm) Film Roll Diameter	Max. 320
包装速度(Bags/Min) Capacity	40~230
外形尺寸(L×W×H)(mm) External Dimensions	4020×720×1320
净重(kg) Net Weight	680



Parameters	DXDZ-450X
电源电压(V/Hz) Voltage	AC 220/50 110/60
功率(W) Power	2800
薄膜宽度(mm) Film Width	Max. 450
制袋长度(mm) Length of Bag	65~190 or 120~280
制袋宽度(mm) Width of Bag	50~160
产品高度(mm) Height of Product	Max. 40
卷膜直径(mm) Film Roll Diameter	Max. 320
包装速度(Bags/Min) Capacity	40~230
外形尺寸(L×W×H)(mm) External Dimensions	4020×800×1450
净重(kg) Net Weight	900



DXDZ-W SERIES 往复式卧式枕型自动包装机

RECIPROCATING PILLOW TYPE AUTOMATIC HORIZONTAL PACKAGING MACHINE

Parameters	DXDZ-350W
电源电压(V/Hz) Voltage	AC 220/50 110/60
功率(W) Power	2400
薄膜宽度(mm) Film Width	Max. 350
制袋长度(mm) Length of Bag	100~280
制袋宽度(mm) Width of Bag	30~130
产品高度(mm) Height of Product	10~60
卷膜直径(mm) Film Roll Diameter	Max. 320
包装速度(Bags/Min) Capacity	30~120
外形尺寸(L×W×H)(mm) External Dimensions	3670×820×1410
净重(kg) Net Weight	750



Parameters	DXDZ-450W
电源电压(V/Hz) Voltage	AC 220/50 110/60
功率(W) Power	3200
薄膜宽度(mm) Film Width	Max. 450
制袋长度(mm) Length of Bag	120~450
制袋宽度(mm) Width of Bag	80~200
产品高度(mm) Height of Product	10~80
卷膜直径(mm) Film Roll Diameter	Max. 320
包装速度(Bags/Min) Capacity	20~80
外形尺寸(L×W×H)(mm) External Dimensions	4380×870×1500
净重(kg) Net Weight	960



Parameters	DXDZ-630W
电源电压(V/Hz) Voltage	AC 220/50 110/60
功率(W) Power	3200
薄膜宽度(mm) Film Width	Max. 630
制袋长度(mm) Length of Bag	120~450
制袋宽度(mm) Width of Bag	80~250
产品高度(mm) Height of Product	10~80
卷膜直径(mm) Film Roll Diameter	Max. 320
包装速度(Bags/Min) Capacity	20~80
外形尺寸(L×W×H)(mm) External Dimensions	4380×970×1500
净重(kg) Net Weight	1160



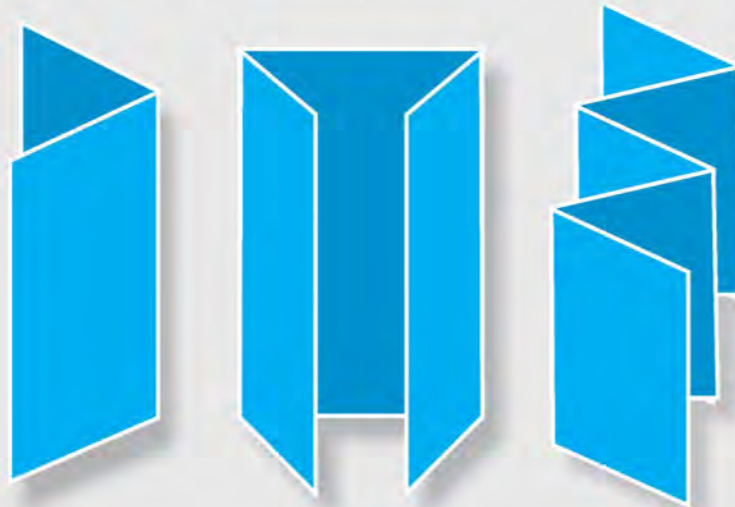
打码机CODING MACHINE



贴标机 LABELLER



折纸机FOLDING MACHINE



MY SERIES 自动打印机 IMPRESS OR SOLID-INK CODING MACHINE

Parameters	MY-300A
电源电压(V/Hz) Voltage	AC 220/50 110/60
功率(W) Power	230
适用被印物尺寸(mm) Object Size	长(L)60-600 宽(W)35-300
适用被印物厚度(mm) Object Thickness	0.05-3.0
印字方式 Printing Type	压痕或固体墨轮 Impress or Solid ink
字体规格(mm) Type Size	2.5×1.5(8PT) 2.5×2(9PT) 3×2(10.5PT) 5×2.5(18PT)
印字速度(pcs/min) Printing Speed	≤300
外形尺寸(L×W×H)(mm) Dimensions	430×445×310
净重(kg) Net Weight	30



Parameters	MY-420A
电源电压(V/Hz) Voltage	AC 220/50 110/60
功率(W) Power	230
适用被印物尺寸(mm) Object Size	长(L)60-600 宽(W)50-420
适用被印物厚度(mm) Object Thickness	0.05-3.0
印字方式 Printing Type	压痕或固体墨轮 Impress or Solid ink
字体规格(mm) Type Size	2.5×1.5(8PT) 2.5×2(9PT) 3×2(10.5PT) 5×2.5(18PT)
印字速度(pcs/min) Printing Speed	≤300
外形尺寸(L×W×H)(mm) Dimensions	430×565×310
净重(kg) Net Weight	33





同步跟踪打码机 MY HP SERIES LOCK-AND-FOLLOW CODING MACHINE



Parameters	HL-1108
电源电压(V/Hz) Voltage	AC 220/50
功率(W) Power	110
最大印字速度 (pcs/min) Max. Printing Speed	≤300
最多印字行数 Max. Printing Line	T型(10.5PT):13行(每行最多20个字) TType(10.5PT):13lines(Max.20Characters/Line) R型(10.5PT):11行(每行最多13个字) RType(10.5PT):11lines(Max.13Characters/Line)
字体尺寸(高度)(mm) Size of Character(height)	T型:1.5, 2, 2.5, 3 R型:3.5(W)×3.5, 4.5, 5.5(H)
墨轮规格 (mm) Solid-ink Roller	Φ36×38
印字面积(mm) Printing Area	轴向≤40(与走膜方向垂直) 圆周方向≤60(与走膜方向平行) Axial direction≤40(perpendicular to film running direction) Circumferential direction≤60(parallel to film running direction)
净重(kg) Net Weight	2(打印头Print head), 1(控制盒control box)

Parameters	HP-241G
电源电压(V/Hz) Voltage	AC 220/50 110/60
功率(W) Power	150
最大印字速度 (pcs/min) Max. Printing Speed	200
最多印字行数 Max. Printing Line	2×3字粒:3行, 每行最多12个字(可定制6行) 3lines(Max.12Characters/Line) (6 Lines is available to be customized)
字体尺寸(高度)(mm) Size of Character(height)	3.0
色带规格(mm) Solid of Color Ribbon	25 30 35(宽度 width)
框架宽度 Frame Width	400 500 600
适用最大膜宽(mm) Max. Film Width	350 450 550
打印头横向最大移动尺寸 (mm) Max. Horizontal Adjusting Size for Printer	220 320 420
净重(kg) Net Weight	7 7.3 7.6



MY SERIES 固体墨轮标示机 SOLID INK CODING MACHINE

Parameters	MY-380F
电源电压(V/Hz) Voltage	AC 220/50 110/60
功率(W) Power	180
固体墨轮尺寸(mm) Solid Ink Roller Dimensions	Φ35×32
印字速度(pcs/min) Printing Speed	≤300
适用被印物尺寸(mm) Object Size	L:45-500 W:30-190
最多印字行数 Max. Printing Line	T型(10.5PT):11行(每行最多10个字) TType(10.5PT):11lines (Max.10Characters/Line) R型(10.5PT):8行(每行最多8个字) RType(10.5PT):8lines (Max.8Characters/Line)
压印位置(mm) Printing Size	单边 60-250 任意调整 Within 60-250
字体规格(mm) Type Size	2.5×1.5(8PT) 2.5×2(9PT) 3×2(10.5PT) 5×2.5(18PT)
外形尺寸(L×W×H)(mm) Dimensions	440×345×260
净重(kg) Net Weight	23



Parameters	MY-380F/W
电源电压(V/Hz) Voltage	AC 220/50 110/60
功率(W) Power	180
固体墨轮尺寸(mm) Solid Ink Roller Dimensions	Φ35×32
印字速度(pcs/min) Printing Speed	≤300
适用被印物尺寸(mm) Object Size	L:45-500 W:30-300
最多印字行数 Max. Printing Line	T型(10.5PT):11行(每行最多10个字) TType(10.5PT):11lines (Max.10Characters/Line) R型(10.5PT):8行(每行最多8个字) RType(10.5PT):8lines (Max.8Characters/Line)
压印位置(mm) Printing Size	单边60-250 任意调整 Within 60-250
字体规格(mm) Type Size	2×1.5(8PT) 2.5×2(9PT) 3×2(10.5PT) 5×2.5(18PT)
外形尺寸(L×W×H)(mm) Dimensions	440×465×260
净重(kg) Net Weight	26



色带热打码机 HP DY SERIES COLOR RIBBON HOT PRINTING MACHINE

Parameters	HP-501
电源电压(V/Hz) Voltage	AC 220/50 110/60
功率(W) Power	120
最大印字速度 (pcs/min) Max. Printing Speed	300
最多印字行数 Max. Printing Line	2×3字粒:3行, 每行最多12个字(可定制6行) 3lines(Max.12Characters/Line) (6 Lines is available to be customized)
字体尺寸(高度)(mm) Size of Character(height)	3.0
色带规格 (mm) Size of Color Ribbon	25 30 35(宽度 width)
框架宽度 Frame Width	400 500 600
适用最大膜宽(mm) Max. Film Width	350 450 550
打印头横向最大移动尺寸(mm) Max. Horizontal Adjusting Size for Printer	220 320 420
净重(kg) Net Weight	5.5 5.8 6.1



Parameters	HP-280P
电源电压(V/Hz) Voltage	AC 220/50 110/60
功率(W) Power	150
最大印字速度 (pcs/min) Max. Printing Speed	0-100
最多印字行数 Max. Printing Line	2×4字粒:3行, 每行最多12个字(可定制5行) 3lines(Max.12Characters/Line) (5 Lines is available to be customized)
色带规格 (mm) Size of Color Ribbon	25 30 35(宽度 width)
净重(kg) Net Weight	7



Parameters	DY-8
电源电压(V/Hz) Voltage	AC 220/50 110/60
功率(W) Power	50
最多印字行数 Max. Printing Line	2×4字粒:3行, 每行最多12个字(可定制5行) 3lines(Max.12Characters/Line) (5 Lines is available to be customized)
色带规格 (mm) Size of Color Ribbon	25 30 35(宽度 width)
净重(kg) Net Weight	2



ZE SERIES 自动折纸机 AUTOMATIC FOLDING MACHINE

Parameters	ZE-8B/2	ZE-9B/2
电源电压(V/Hz) Voltage	AC 220/50 110/60	AC 220/50 110/60
功率(W) Power	80	80
折盘数 Folding Tray Number	2	2
最大纸张规格(mm) Max.paper Size	315×735	215×690
最小纸张规格(mm) Min.Paper Size	50×70	50×70
最厚纸张规格(g) Max.paper Thickness	125	125
最薄纸张规格(g) Min.Paper Thickness	40	40
最大工作线速度(m/min) Max.Speed	80	80
外形尺寸(L×W×H)(mm) Dimensions	1050×525×505	1020×425×525
净重(kg) Net Weight	35	30



不同的折纸方式最长的纸张尺寸 (mm)
Max. paper size(mm) for different paper folding type

ZE-8B/2	720	735	735	490	720

ZE-9B/2	650	690	690	460	650

Parameters	ZE-8B/4	ZE-9B/4
电源电压(V/Hz) Voltage	AC 220/50 110/60	
功率(W) Power	80	80
折盘数 Folding Tray Number	4	4
最大纸张规格(mm) Max.paper Size	315×1225	215×1150
最小纸张规格(mm) Min.Paper Size	50×70	50×70
最厚纸张规格(g) Max.paper Thickness	125	125
最薄纸张规格(g) Min.Paper Thickness	40	40
最大工作线速度(m/min) Max.Speed	80	80
外形尺寸(L×W×H)(mm) Dimensions	1080×530×580	1020×430×580
净重(kg) Net Weight	48	38



不同的折纸方式最长的纸张尺寸 (mm)
Max. paper size(mm) for different paper folding type

ZE-8B/4	720	735	735	490	720	1225
ZE-9B/4	650	690	690	460	650	1150

ZE-8B/4	720	720	735	720	735	720
ZE-9B/4	650	650	690	650	690	650



半自动圆瓶不干胶贴标机 MTH-50T

SEMI-AUTO ROUND BOTTLE LABELING MACHINE



Parameters	MTH-50T
电源(V/Hz) Voltage	AC 220/50 110/60
功率(W) Power	45
速度(times/min) Speed	1~40
贴标线速度(m/min) Labeling Speed	7
贴标规格(mm) Labeling Size	宽:15-120 长:15-310 W: 15-120 L: 15-310mm
料卷内径(mm) Label inside diameter	φ75
标签卷外径(mm) Label outside diameter	≤φ270
适用瓶径规格(mm) Bottle Diameter	φ15~φ140
外形尺寸(L×W×H)(mm) External Dimensions	542×260×500
净重(Kg) Net Weight	25



HLM-8C 半自动圆瓶贴标机

SEMI-AUTO ROUND BOTTLE LABELING MACHINE



Parameters	HLM-8C
电源(V/Hz) Voltage	AC 220/50
功率(W) Power	180
贴标线速度(pieces/min) Labeling Speed	20~40(与产品尺寸有关related to product size)
贴标精度(mm) Labeling Accuracy	±0.5mm (不含产品、标签误差excluding product and label errors)
贴标规格(mm) Labeling Size	宽:20~180 长:20~380 W: 20~180 L: 20~380mm
适用产品直径(mm) Applicable Product Diameter	φ25~φ150
适用产品长度(mm) Applicable Product Length	≤600
适用产品最大重量(Kg) Applicable Product Maximum Weight	≤5
工作台面高度(mm) Work Surface Height	630~650
外形尺寸(L×W×H)(mm) External Dimensions	965×500×480
净重(Kg) Net Weight	43



WeChat
公众微信号



Official Website
官方网站



Catalogue PDF
样本PDF版



INTELLIGENT END OF LINE PACKAGING SYSTEM 智能化后道包装系统



华联机械集团有限公司

地址：温州市高翔工业区大维路2号

邮编：325006

电话：0577-89989999（总机）

传真：0577-89989966

E-mail: hualian@hualian.biz

国内销售

电话：0577-89989981 89989982 89989983 89989956

传真：0577-89989968

E-mail: sales@hualian.biz

华联机械集团温州进出口有限公司

HUALIAN MACHINERY GROUP WENZHOU IMPORT&EXPORT CO.,LTD

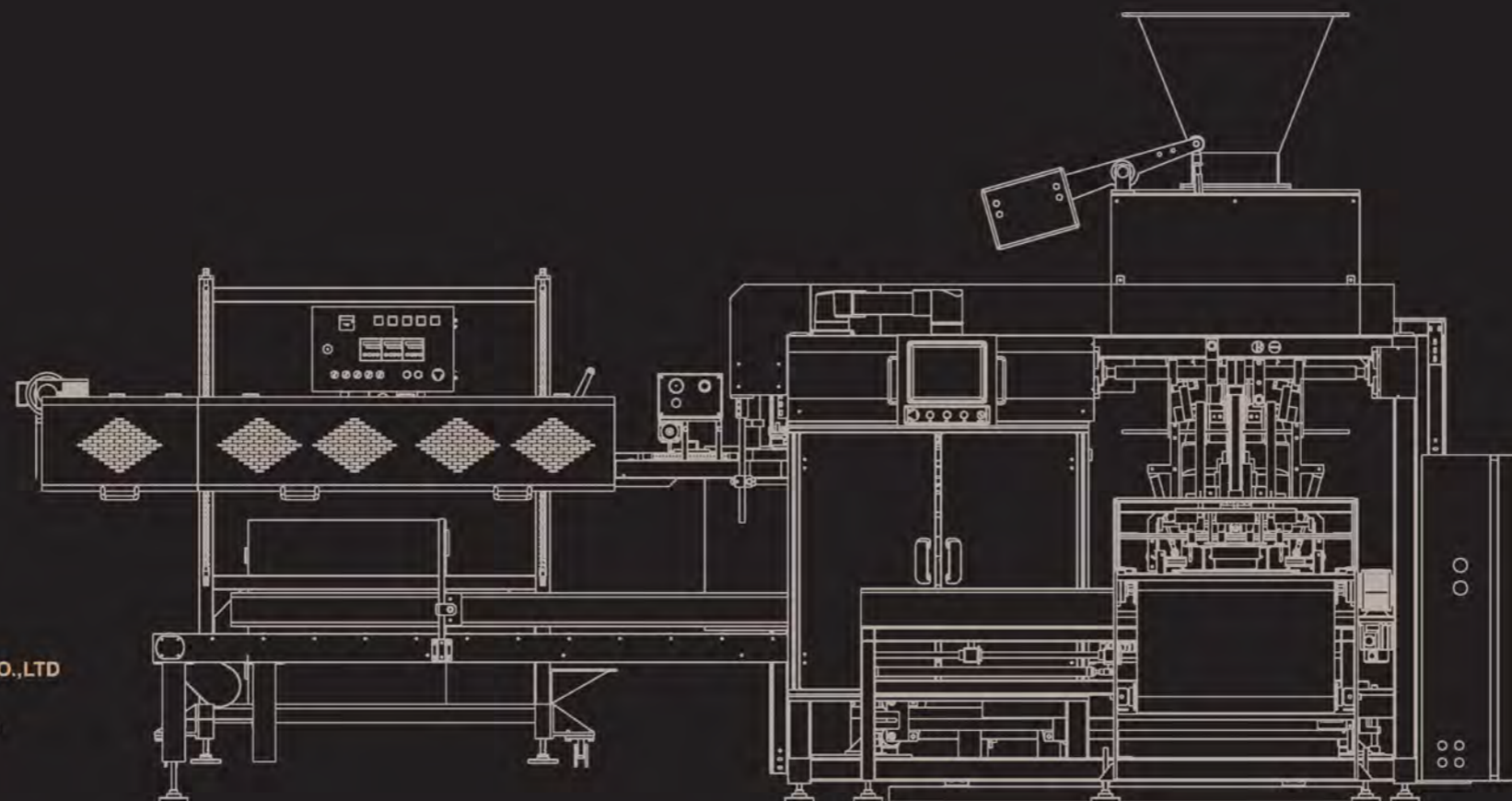
地址：温州市高翔工业区大维路2号

Add: No.2 Dawei Road, Gaoxiang Industrial Park, Wenzhou, China

P.C.: 325006

Tel: +86-577-88627766 88627768 88608008

E-mail: hl@hualian.biz hl@hualianmachinery.com



版权所有 翻版必究 (2023.11)

华联机械集团
HUALIAN MACHINERY GROUP



Intelligent Packaging Integrated Solution System Provider
智能包装整体解决方案系统服务商



Intelligent Packaging Integrated Solution System Provider
智能包装整体解决方案系统服务商



COMPANY PROFILE 公司简介

华联机械集团创建于1989年，是经国家工商总局核准成立的无区域企业集团。集团以包装机械为主业，以智能化后道包装系统的研发制造、销售服务为核心业务，是面向全球市场的包装机械供应商。公司设有省级智能包装装备研究院、省级企业技术中心，拥有两个大型生产基地，占地10万M²。自第一台“华联牌”连续式封口机诞生以来，华联机械迄今已形成系列化、规模化生产的产品有7大板块200多种，年生产销售超10万台套各类包装机械，产品销售到全球100多个国家。集团被评为“中国包装行业百强”和“中国包装机械行业30强”企业，并连续多年荣获中国包装机械十大知名品牌。

Hualian Machinery Group was founded in 1989, now has two production bases covering an area of more than 100,000 square meters with one packaging machinery high and new technology R&D Center. There are 7 categories with more than 200 kinds of products which have formed series and have been put into lot production, including sealer, vacuum packaging machine, carton sealer, strapping machine, shrinking packaging machine, automatic packaging machine and so on. Hualian manufactures and sales more than 100,000 sets of variety of packaging machines per year and export to over 100 countries. We have rich experience in OEM. Company has passed ISO9001:2008 Quality Management System and ISO14001 Environmental Management System and OHSAS18001 Occupational Health Management System and main products have obtained European CE certificate. In 2017 Hualian passed BSCI certificate from UL company.





智能化后道包装系统

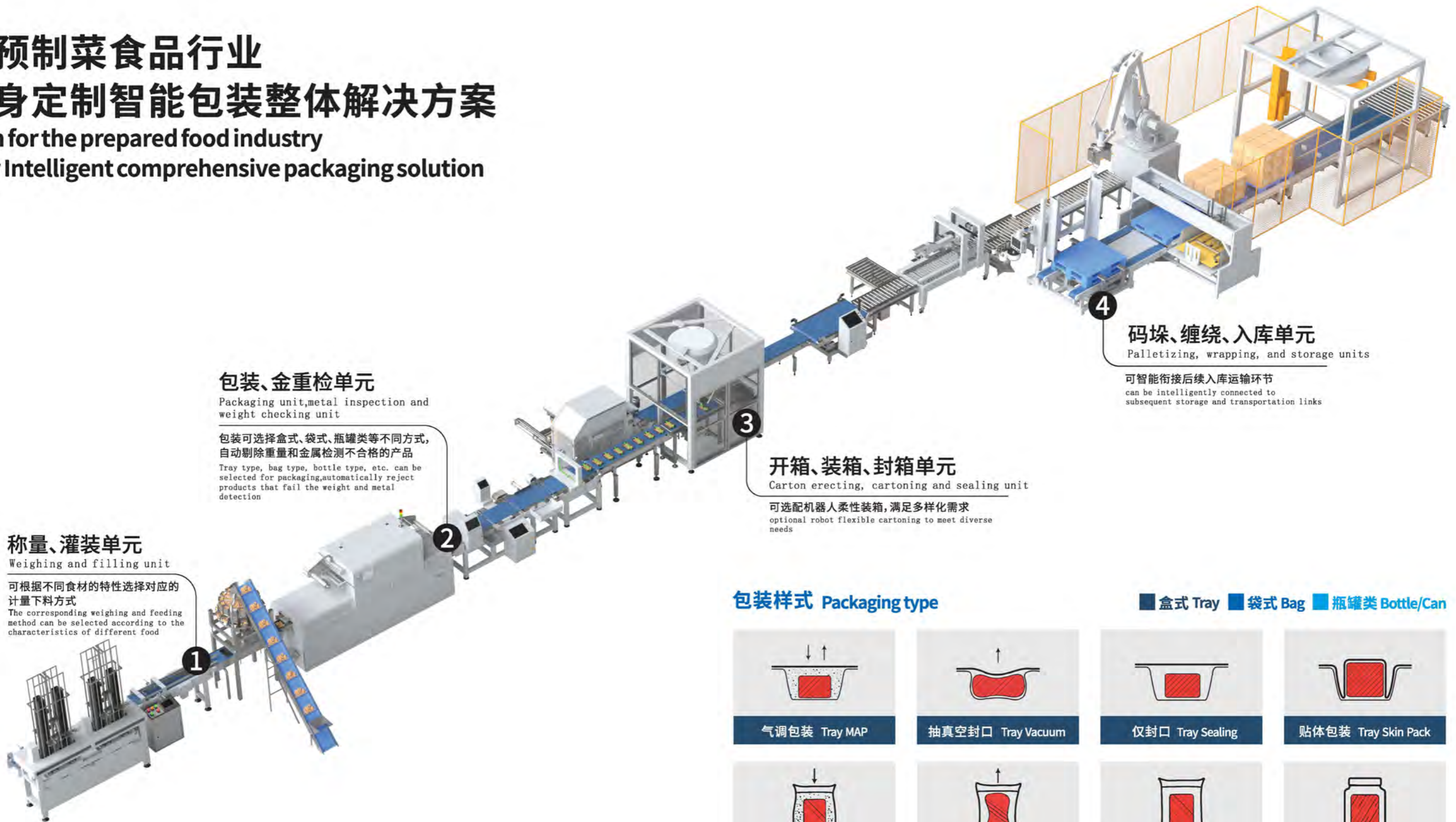
INTELLIGENT END OF LINE PACKAGING SYSTEM





为预制菜食品行业 量身定制智能包装整体解决方案

Born for the prepared food industry
Tray Intelligent comprehensive packaging solution



包装、金重检单元

Packaging unit, metal inspection and weight checking unit

包装可选择盒式、袋式、瓶罐类等不同方式，自动剔除重量和金属检测不合格的产品
Tray type, bag type, bottle type, etc. can be selected for packaging, automatically reject products that fail the weight and metal detection

称量、灌装单元

Weighing and filling unit

可根据不同食材的特性选择对应的计量下料方式
The corresponding weighing and feeding method can be selected according to the characteristics of different food

开箱、装箱、封箱单元

Carton erecting, cartoning and sealing unit

可选配机器人柔性装箱，满足多样化需求
optional robot flexible cartoning to meet diverse needs

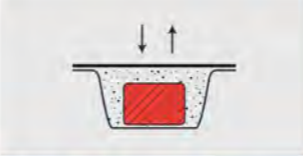
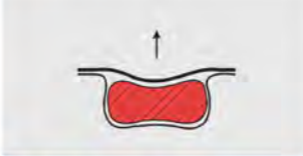
码垛、缠绕、入库单元

Palletizing, wrapping, and storage units

可智能衔接后续入库运输环节
can be intelligently connected to subsequent storage and transportation links

包装样式 Packaging type

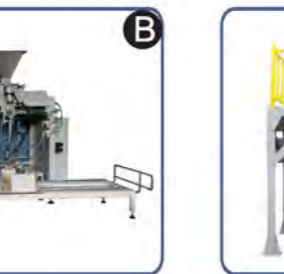
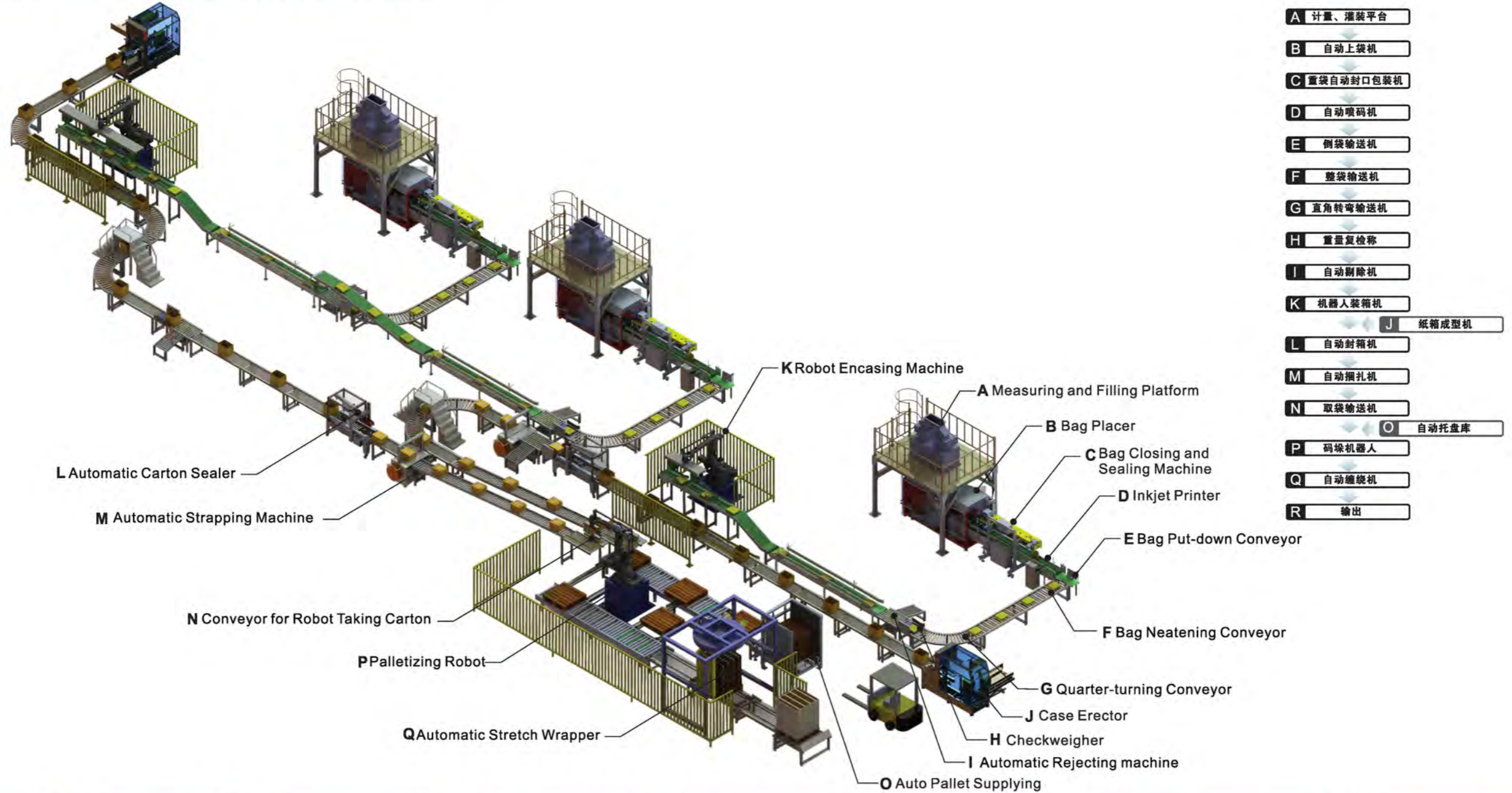
盒式 Tray 袋式 Bag 瓶罐类 Bottle/Can

 气调包装 Tray MAP	 抽真空封口 Tray Vacuum	 仅封口 Tray Sealing	 贴体包装 Tray Skin Pack
 充气包装 Bag Gas flush	 抽气包装 Bag Vacuum	 仅封口 Bag Sealing	 封口包装 Bottle/Can Sealing



XFB 重袋自动灌装装箱包装生产线

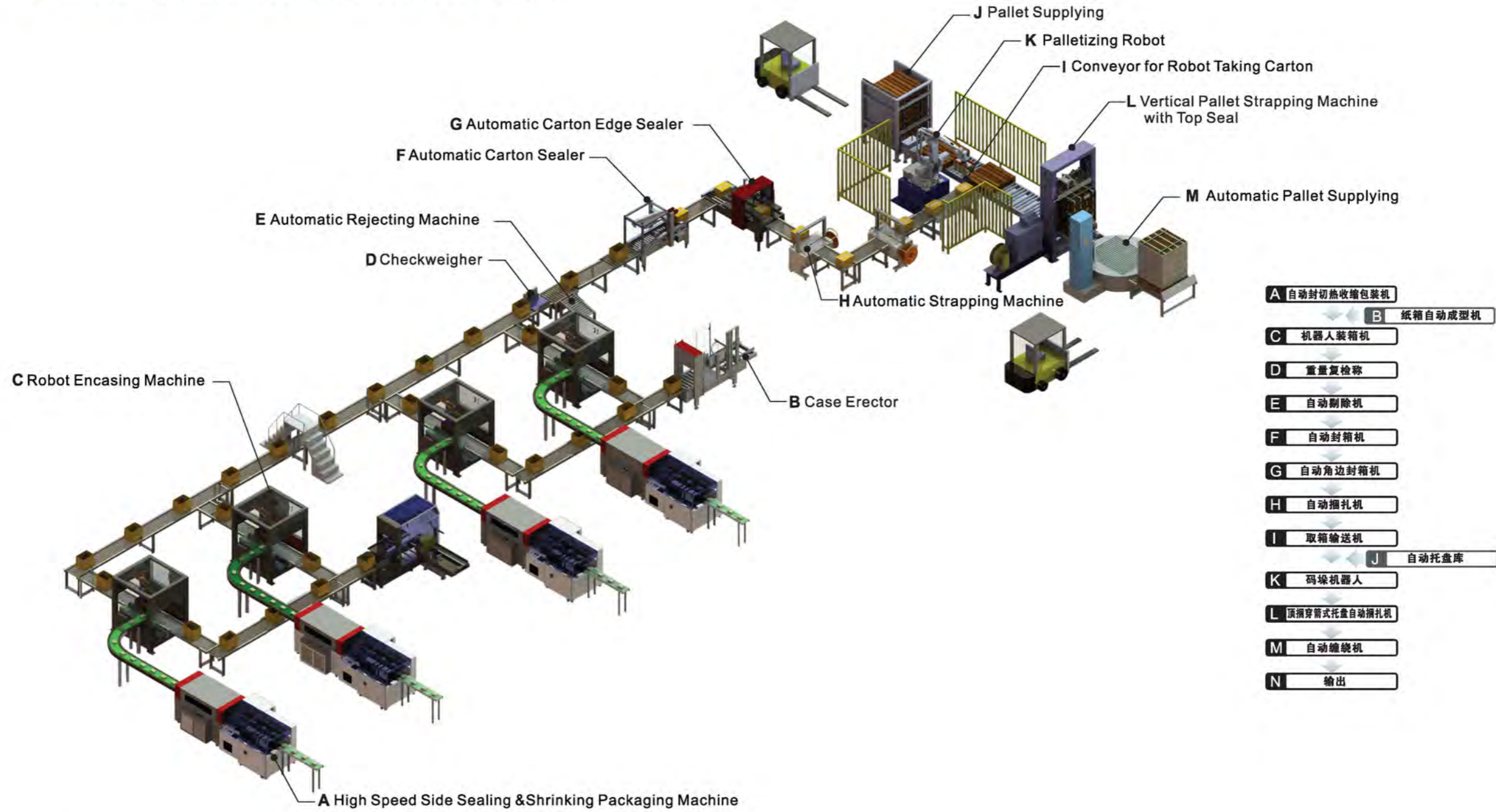
AUTOMATIC OPEN-MOUTH BAGGING SYSTEMS





XZB/H 盒类自动装箱包装生产线

AUTOMATIC CARTON PACKAGING SYSTEMS FOR BOXES



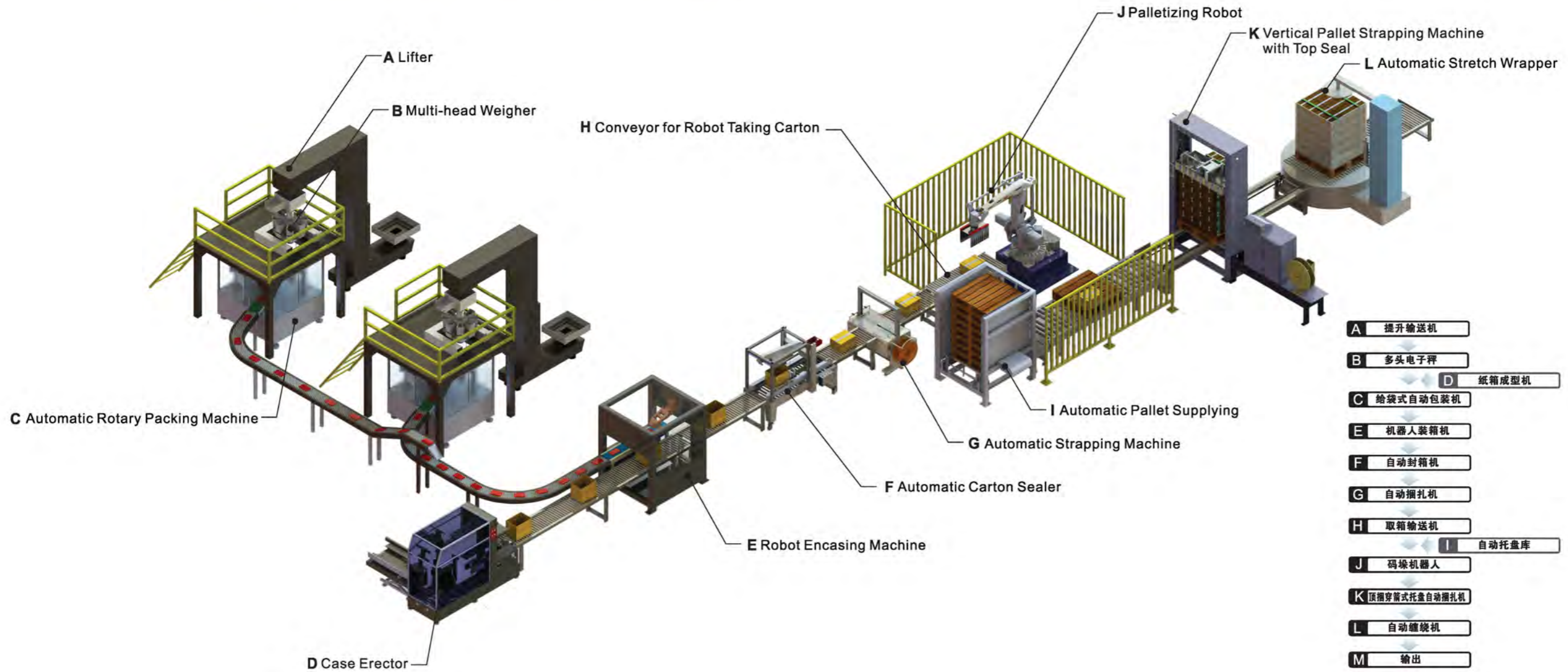
- A** 自动封切热收缩包装机
- B** 纸箱自动成型机
- C** 机器人装箱机
- D** 重量复检称
- E** 自动剔除机
- F** 自动封箱机
- G** 自动角边封箱机
- H** 自动捆扎机
- I** 取箱输送机
- J** 自动托盘库
- K** 码垛机器人
- L** 顶穿穿箭式托盘自动捆扎机
- M** 自动缠绕机
- N** 输出





XZB/D 软袋自动装箱包装生产线

AUTOMATIC CARTON PACKAGING SYSTEMS FOR POUCHES



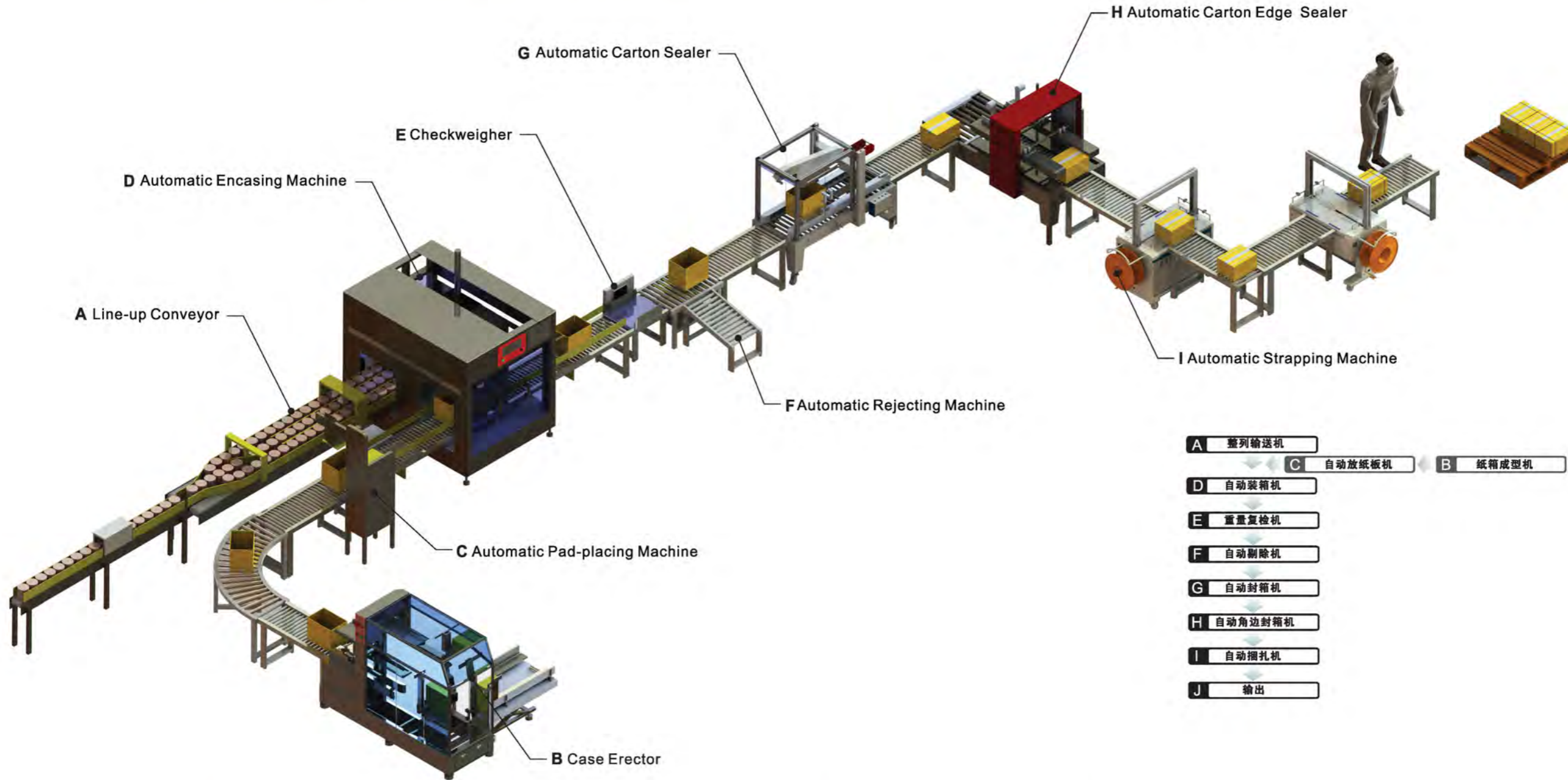
- A** 提升输送机
- B** 多头电子秤
- C** 给袋式自动包装机
- D** 纸箱成型机
- E** 机器人装箱机
- F** 自动封箱机
- G** 自动捆扎机
- H** 取箱输送机
- I** 自动托盘库
- J** 码垛机器人
- K** 顶插穿箭式托盘自动捆扎机
- L** 自动缠绕机
- M** 输出





XZB/G 罐类自动装箱包装生产线

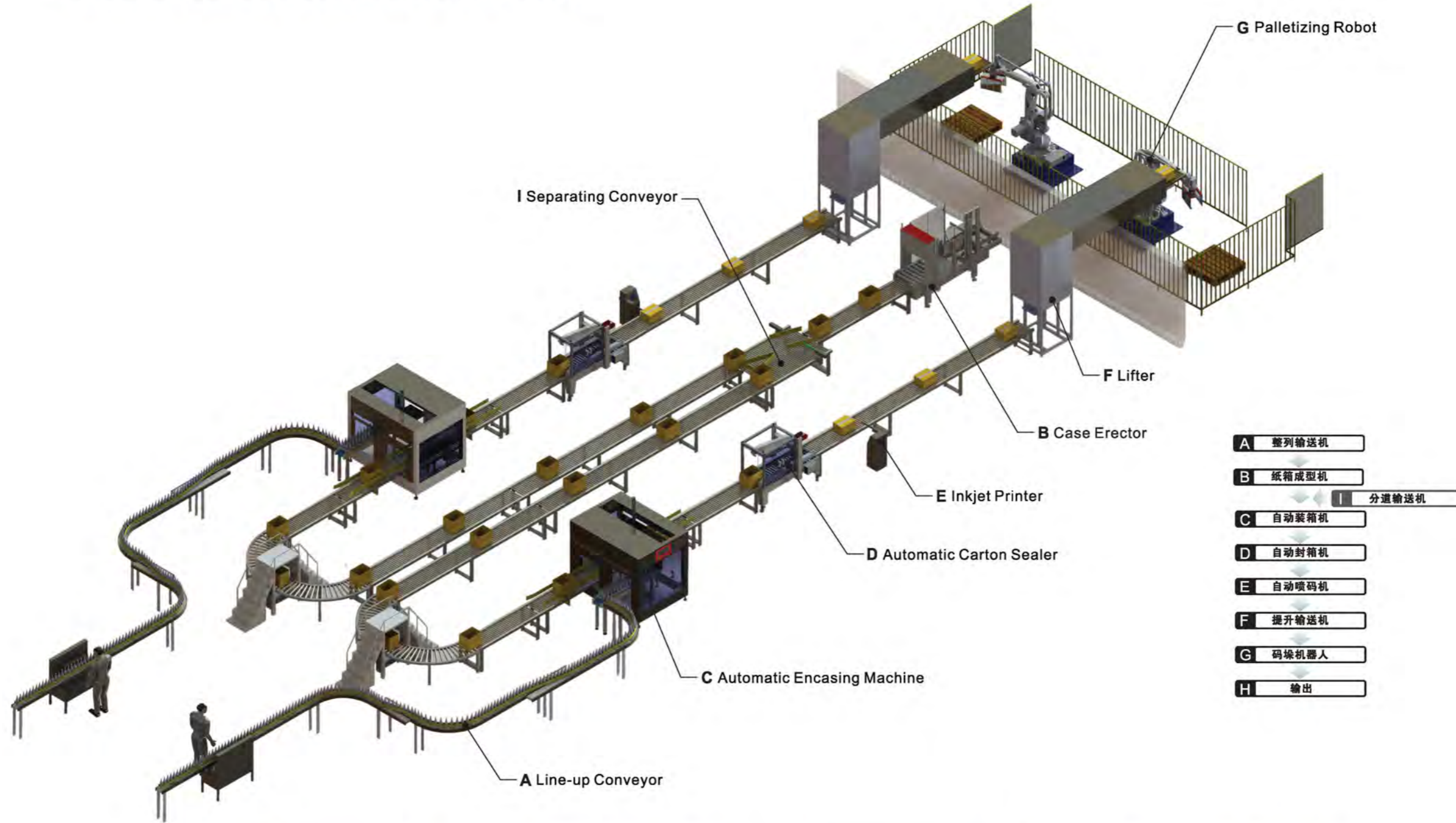
AUTOMATIC CARTON PACKAGING SYSTEMS FOR CANS





XZB/P 瓶类自动装箱包装生产线

AUTOMATIC CARTON PACKAGING LINE FOR BOTTLES



- A 整列输送机
- B 纸箱成型机
- C 自动装箱机
- D 自动封箱机
- E 自动喷码机
- F 提升输送机
- G 码垛机器人
- H 输出





给袋式包装机 GDD SERIES PRE-MADE PACKAGING MACHINE



Parameters	GDD-1-300
电源电压(V/Hz) Voltage	AC 220/50
电热功率(W) Sealing Power	500
包装速度(bag/min) Packing Speed	6-15(具体根据包装膜质量、包装物料、包装重量而定) According to the quality of packaging film, packaging materials, packaging weight
温控范围(°C) Temperature Range	0-300无级可调stepless adjustment
气源压力(Mpa) Air Source Pressure	0.65
封口宽度(mm) Seal Width	10
适用袋型 Suitable bag type	三边封、自立袋(不带拉链) Three side sealing, Doypack (without zipper)
袋子尺寸(mm) Bag Size	100≤width≤300, 100≤length≤430
外形尺寸(L×W×H)(mm) External Dimensions	1827×676×1611
净重(Kg) Net Weight	315

Parameters	GDD-1-300L	GDD-1-300M
电源电压(V/Hz) Voltage	AC 220/50	AC 220/50
电热功率(W) Sealing Power	500	500
包装速度(bag/min) Packing Speed	5-8(具体根据包装膜质量、包装物料、包装重量而定) According to the quality of packaging film, packaging materials, packaging weight	6-15(具体根据包装膜质量、包装物料、包装重量而定) According to the quality of packaging film, packaging materials, packaging weight
温控范围(°C) Temperature Range	0-300无级可调stepless adjustment	0-300无级可调stepless adjustment
气源压力(Mpa) Air Source Pressure	0.65	0.65
封口宽度(mm) Seal Width	10	10
适用袋型 Suitable bag type	自立袋(带拉链) Doypack (with zipper)	风琴袋(M折) Accordion bag (M fold bag)
袋子尺寸(mm) Bag Size	100≤width≤300, 100≤length≤430	80≤width≤300, 100≤length≤430
外形尺寸(L×W×H)(mm) External Dimensions	1827×676×1656	1827×676×1611
净重(Kg) Net Weight	315	315



XSGF SERIES 重袋生产线 OPEN-MOUTH BAGGING SYSTEMS



XSGF-1000G
自动供袋、灌装、封口生产线
OPEN-MOUTH BAGGING SYSTEMS



XSGF-600SS
双秤自动供袋、灌装、封口生产线
OPEN-MOUTH BAGGING SYSTEMS



XSGF-400DS
单秤自动供袋、灌装、封口生产线
OPEN-MOUTH BAGGING SYSTEMS

XSGF系列重型大袋自动包装生产线,是采用光电仪一体化和自动程序控制的新技术,是由自动计量灌装平台、自动供袋机械手、重袋自动包装机,以及后续单元设备如:自动转向倒袋输送机、自动整包机、金属检测机、自动复称机、剔除机、喂料机、托盘库及输送机、取包输送机、码垛机器人、托盘全自动捆扎机、在线式自动缠绕机等主要设备组成一条全自动生产线;它可以分段控制,也可以全自动控制。包装好的物料通过自动复称机和剔除机来保证重量的精确度。单双秤系列重型大袋自动包装线使生产过程中的供袋、取袋、开袋、套袋、称重、下料、卸袋、夹口整形、折边封口封袋、检验重量、码垛、缠绕等作业全部实现自动化。双秤放,双秤单秤放,可交替工作,也可以同步工作。

该生产线可用于颗粒料、片料及粉料的重袋(25-50Kg),如(聚乙烯、聚丙烯、聚氯乙烯、PVC、PVA、饲料、化工、粮食等)。根据需要可以选择牛皮纸袋、纸塑复合袋、纸塑编织袋、塑编复合袋、塑料袋、铝塑复合袋、塑编袋等包装材料。可选用6种包装方式中的任一种重袋包装线。

用户可以根据生产规模、包装袋的大小、生产的效率、环保的要求、计量精度等因素,来定制包装生产线的设备配置和自动化要求。

XSGF系列重型大袋自动包装生产线可以实现多样化的包装方案。它既可以单独与我公司开发的重载大袋六大系列十四品种中的任意一款自动封口机组成机组使用,也可以与全自动生产线配套使用。按配置分为单秤和双秤两种形式。其中双秤形式就是配有双秤,两种机构相同或者成对配置,可采用双秤双秤放,双秤单秤放,可交替工作,也可以同步工作。

XSGF series open-mouth bagging systems applies ray instrument integration and automatic program controlled technology, is consisted of automatic weighing filling platform, automatic bag supplying robot, heavy-duty packaging machine and the following equipment, such as automatic bag turning put down conveyor, automatic collating machine, metal detector, automatic checkweigher, rejecting machine, inkjet printer, pallet supplying, automatic pack taking manipulator, robot, vertical pallet strapping machine with top seal and automatic stretch wrapper etc. The systems can be controlled as a whole line automatically or through controlling subsections.

The accuracy of packaged material to be assure by checkweigher and rejecting machine. The single double weighing series automatic packaging production line make the following process fully automatic: bag supplying, taking, sleeving, weighing, filling, bag unloading, sealing, weight checking, pallet and wrapping.

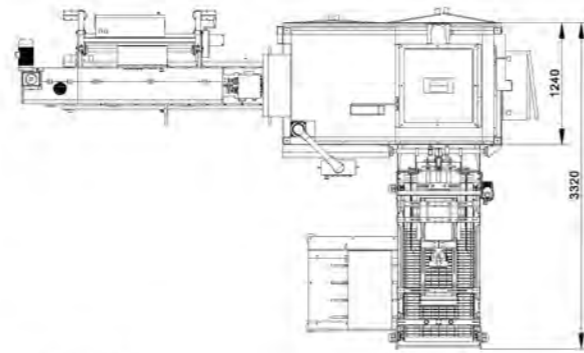
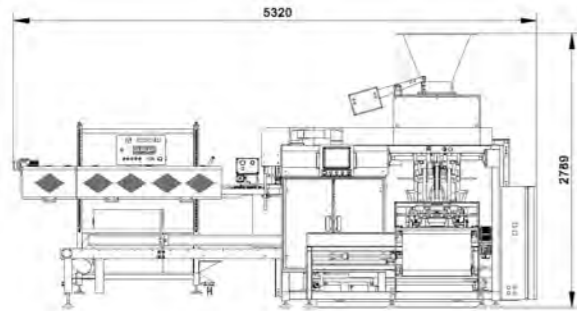
This systems is suitable for packing grain, flake and powder, weighing from 25kg to 50kg. According to requirements, you can choose Kraft paper bag, paper plastic compound bag, paper plastic woven compound bag, plastic bag, aluminum compound bag, woven bag, and particular machine for particular machine for particular packing mode among 13kinds of packing modes.

Customer can choose equipment configuration and automation degree of packing production line according to elements like production scale, requirements on environment-protecting and weighing accuracy, etc.

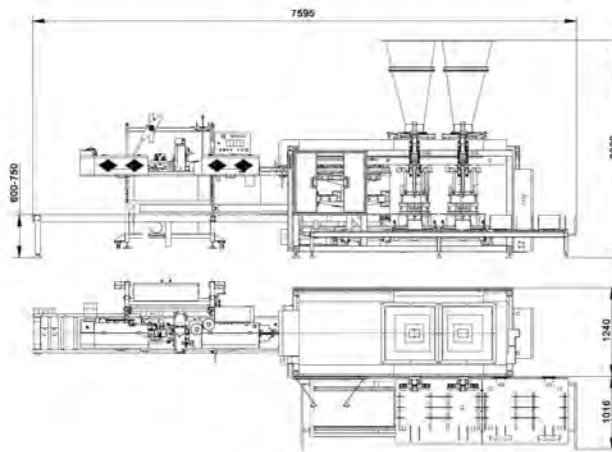
XSGF series can fulfill the packing diversity of production line, it can be fitted with anyone automatic sealing machine of 6 series sack automatic packaging, 14 kinds. But also can be used together with automatic production line. Based on the configuration, there are single weighing and double weighing types. And as for double weighing, there are two weighers, with same structure and configuration. It can be worked at the same time or in turns.



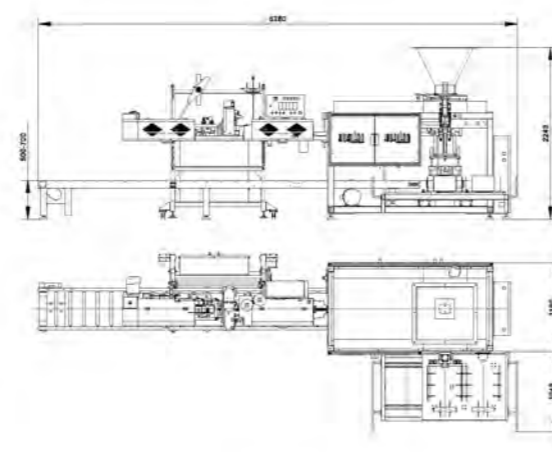
示意图 Dimension Figure



XSGF-1000G



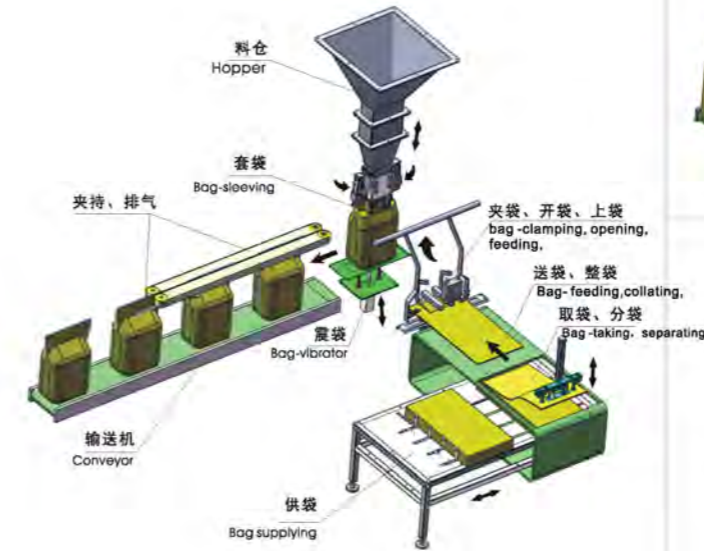
XSGF-600SS



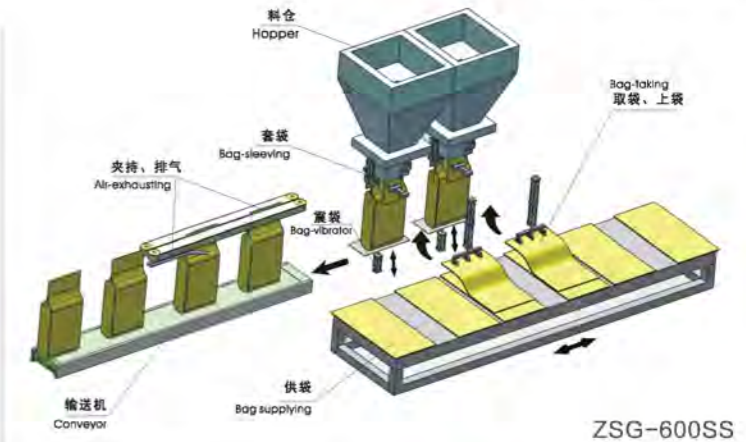
XSGF-400DS



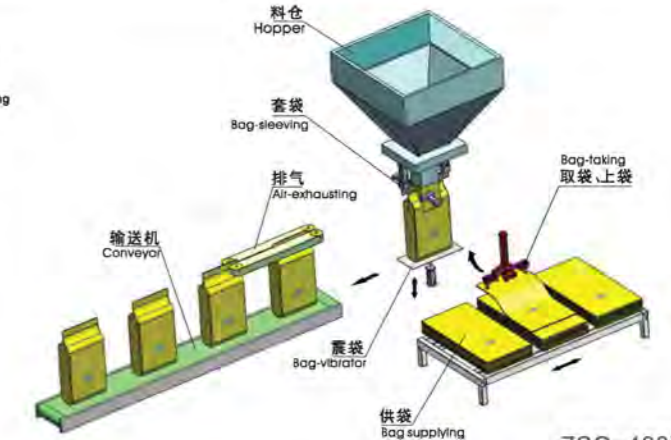
工作原理 Working principle



XSGF-1000G

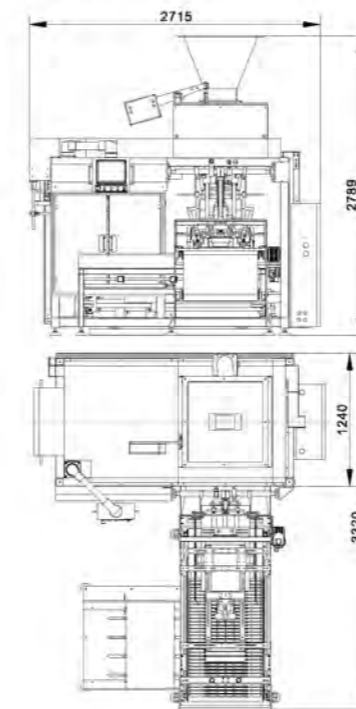


ZSG-600SS

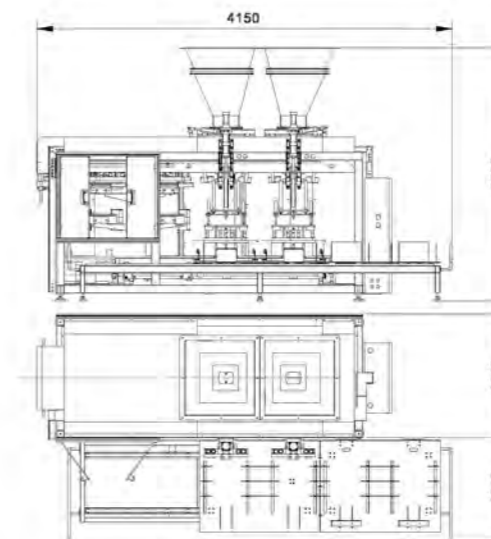


ZSG-400DS

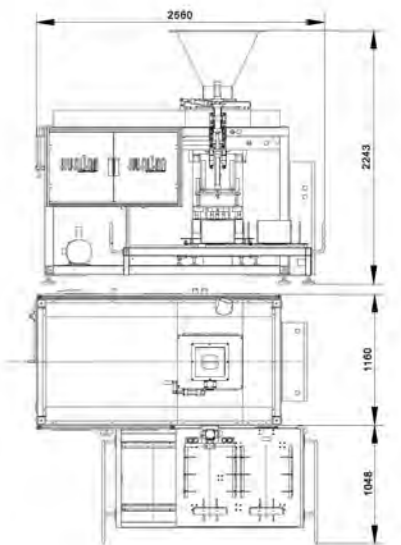
示意图 Dimension Figure



ZSG-1000G



ZSG-600SS



ZSG-400DS



重袋封口缝合自动包装机 FBK SERIES

ONE-LINE SEALING AND STITCHING AUTOMATIC PACKAGING MACHINE



FBK-12C
重袋封口缝合自动包装机

ONE-LINE SEALING AND STITCHING AUTOMATIC PACKAGING MACHINE



FBK-13DC
重袋封口缝合自动包装机

ONE-LINE SEALING AND STITCHING AUTOMATIC PACKAGING MACHINE



FBK-24DC
重袋封口缝合自动包装机

ONE-LINE SEALING AND STITCHING AUTOMATIC PACKAGING MACHINE

FBK系列重袋封口缝合自动包装机适用于包装量在25~50kg的重袋, 适合单(多)层牛皮纸袋、纸塑(PE)复合袋或纸塑复合袋等袋的包装。

该系列机型采用光、机、电一体化的先进技术, 实现了自动化、高效化。

该系列有11个标准型号, 为用户提供广泛的选择。

经封口、缝合、包纸带、热压的包装袋密封性能极佳, 可防尘、防潮、防蛀、防污染等, 使包装物受到妥善的保护。

FBK series automatic sewing & enveloping sealer for heavy-duty bag, fit for packing single layer Kraft paper, multi-layer Kraft paper, paper/plastic laminated bag.

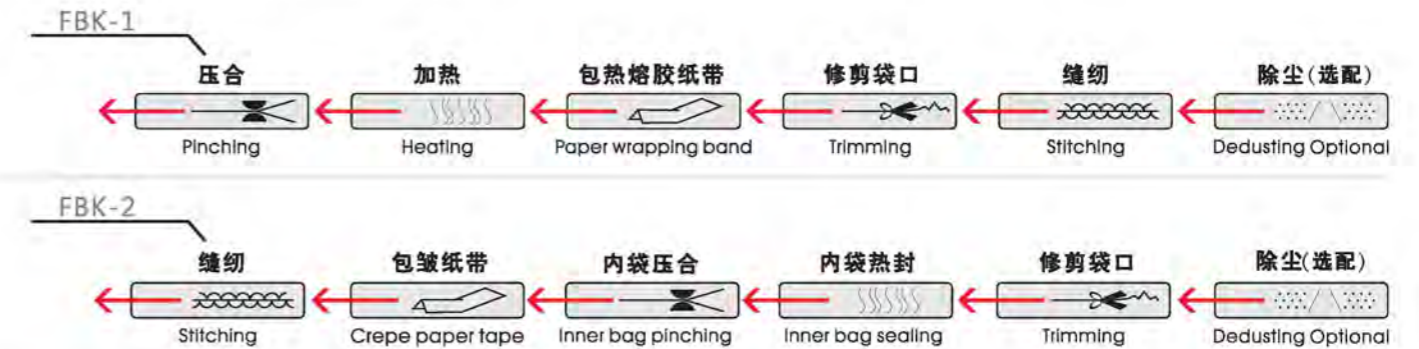
This series machine adopts the advanced technology of light, electricity, and mechanism to guarantee its full automation and high performance.

There are 11 standard models for clients selection.

After sealing, stitching, binding edge and hot pressing, the sealing performance of bags is very excellent, which has the advantage of dust-proof, moth-eaten proof, pollution proof and could protect the package appropriately.



工序排列 Procedure sequence



袋口包装方式 Mode of bag top packaging.

纸袋 Paper bag

先缝合袋口, 然后包上热熔胶纸带, 加热压合。
First stitched, then add thermosol paper tape for heating closure.



纸袋内衬PE塑料袋 Paper Bag With PE Liner Film

先将内衬的PE膜热合, 然后包上皱纹纸带缝合。
First seal inner PE film, then seal crepe paper tape for stitch.



Parameters	FBK-12C	FBK-13C	FBK-13DC	FBK-14C	FBK-14DC	FBK-23C	FBK-23DC	FBK-24C	FBK-24DC
电源电压(V/Hz) Voltage	三相(3PH)				AC380/50				
总功率(KW) Gross Power	3.5	4.5	5	5.5	6	4.5	5	5.5	6
传动功率(KW) Transmission Power	0.75								
缝纫机驱动功率(KW) Motor power of sewing machine	0.37								
加热功率(KW) Heating Power	0.5×4	0.5×6		0.5×8		0.5×6		0.5×8	
除尘功率(KW) Deduster Power	—	—	0.75	—	0.75	—	0.75	—	0.75
封口速度(m/min) Sealing Speed	8.5 (可定制上限为11 can customized to be Max.11)								
封口中心至地面的高度(mm) Height From Sealing Center to the Floor	800~1400								
物料至袋口的最小高度(mm) The minimum distance between the top of bag	180								
温控范围(°C) Temperature Range	0~300								
气源压力(Mpa) Air Source Pressure	0.6								
纸带 Paper Tape	○	○	○	○	○	△	△	△	△
除尘器 Deduster	×	×	√	×	√	×	√	×	√
应用 Applications	多层纸袋、纸塑复合袋及二合一、三合一袋等 Multi-layer paper bag, paper-PE compound bag and 2 in 1 or 3 in 1 bag, etc.					多层纸袋、纸塑复合袋及二合一、三合一袋、内衬铝塑或PE薄膜袋等 Multi-layer paper bag, paper-PE compound bag, 2 in 1 or 3 in 1 bag, Al-PE inner liner bag or PE bag.			
外形尺寸(L×W×H)(mm) Dimension	2200×950×1800	2600×950×1800		2800×950×1800		2700×950×1800		2800×950×1800	
净重(kg) Net Weight	400	450	500	500	550	400	450	450	500

注Note:
“C”表示配置包纸带机构 Heat seal tape(over tape)device is available.
○=热熔胶纸带 Thermosol paper tape △=皱纹纸带 Crepe paper tape

“D”表示配置除尘机构 Deduster is available
√=选用 Available ×=不选用 Not available



重袋封口缝合自动包装机 FBK SERIES

ONE-LINE SEALING AND STITCHING AUTOMATIC PACKAGING MACHINE



FBK-332C

重袋封口缝合自动包装机

ONE-LINE SEALING AND STITCHING AUTOMATIC PACKAGING MACHINE

FBK系列重袋封口缝合自动包装机适用于包装量在25~50kg的重袋, 适合单(多)层牛皮纸袋、纸塑(PE)复合袋或纸塑编复合袋等袋的包装。

该系列机型采用光、机、电一体化的先进技术, 实现了自动化、高效化。

该系列有11个标准型号, 为用户提供广泛的选择。

经封口、缝合、包纸带、热压的包装袋密封性能极佳, 可防尘、防潮、防蛀、防污染等, 使包装物受到妥善的保护。

FBK series automatic sewing & enveloping sealer for heavy-duty bag, fit for packing single layer Kraft paper, multi-layer Kraft paper, paper/plastic laminated bag.

This series machine adopts the advanced technology of light, electricity, and mechanism to guarantee its full automation and high performance.

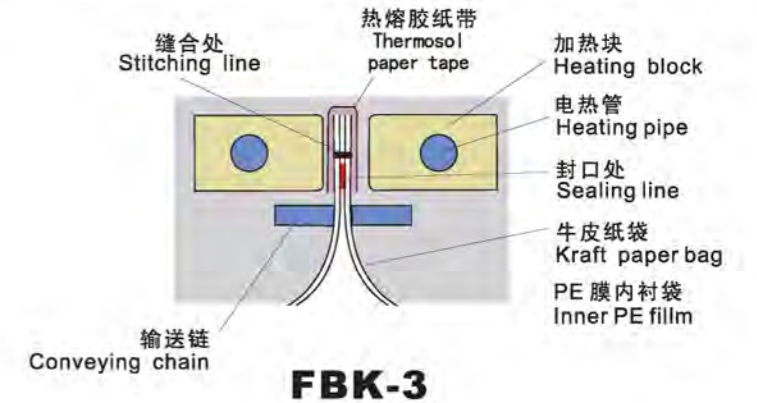
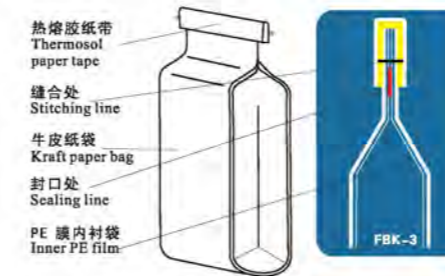
There are 9 standard models for clients selection.

After sealing, stitching, binding edge and hot pressing, the sealing performance of bags is very excellent, which has the advantage of dust-proof, moth-eaten proof, pollution proof and could protect the package appropriately.

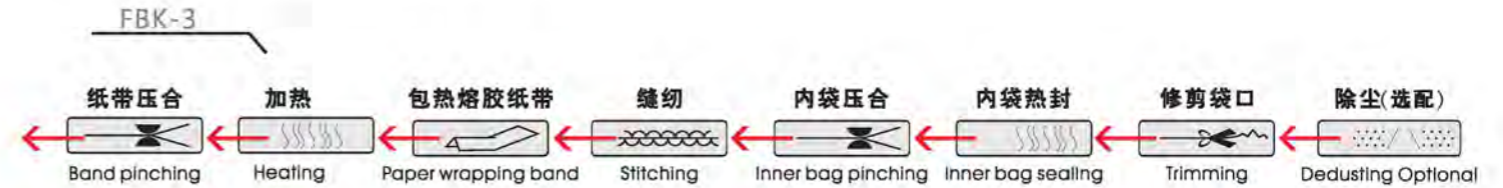
袋口包装方式 Mode of bag top packaging.

纸袋内衬PE塑料袋 Paper Bag With PE Liner Film

先将内衬的PE膜热合, 然后缝合袋口, 包上热熔胶纸带加热压合。
First seal inner PE film, then stitch, and add thermosol paper tape for heating closure.



工序排列 Procedure sequence



Parameters	FBK-332C	FBK-332DC
电源电压(V/Hz) Voltage	三相(3PH) AC380/50	AC380/50
总功率(KW) Gross Power	6.5	7
传动功率(KW) Transmission Power	0.75	0.75
缝纫机驱动功率(KW) Motor power of sewing machine	0.37	0.37
加热功率(KW) Heating Power	0.5 × 10	0.5 × 10
除尘功率(KW) Deduster Power	—	0.75
封口速度(m/min) Sealing Speed	8.5 (可定制上限为11 can customizad to be Max.11)	
封口中心至地面的高度(mm) Height From Sealing Center to the Floor	800~1400	800~1400
物料至袋口的最小高度(mm) The minimum distance between the top of bag	180	180
温控范围(℃) Temperature Range	0~300	0~300
气源压力(Mpa) Air Source Pressure	0.6	0.6
纸带 Paper Tape	○	○
除尘器 Deduster	×	√
应用 Applications	多层纸袋、纸塑复合袋及二合一、三合一袋、内衬铝塑或PE薄膜袋等 Multi-layer paper bag, paper-PE compound bag, 2 in 1 or 3 in 1 bag, Al-PE inner liner bag or PE bag.	
外形尺寸(L×W×H)(mm) Dimension	3030 × 950 × 1800	3230 × 950 × 1800
净重(kg) Net Weight	600	650

注Note:
“C”表示配置包纸袋机构 Heat seal tape(over tape)device is available.
○=热熔胶纸带 Thermosol paper tape △=皱纹纸带 Crepe paper tape

“D”表示配置除尘机构 Deduster is available
√=选用 Available ×=不选用 Not available



塑料重袋自动热封机 FBH SERIES

AUTOMATIC HEAT SEALER FOR HEAVY-DUTY PLASTIC BAG



FBH-32D

塑料重袋自动热封机

AUTOMATIC HEAT SEALER FOR HEAVY-DUTY PLASTIC BAG



FBH-42D

塑料重袋自动热封机

AUTOMATIC HEAT SEALER FOR HEAVY-DUTY PLASTIC BAG

袋口包装方式 Mode of bag top packaging.



适用于热封厚度单层为0.12~0.32mm的PE或PP较厚的塑料袋。

It is suitable for PE or PP bag with thickness of 0.12-0.32mm

FBH系列塑料重袋自动热封机能优质、高效、连续封合较厚的PE或PP塑料袋，以及纸塑复合袋、铝塑复合袋；广泛应用于化工原料、药物原料、粮食、饲料和食品等行业的包装。

该系列机型根据包装袋的不同材质、厚度以及生产能力，选择适用的FBH-32、FBH-42等机型。

该系列机型采用聚四氟乙烯（TEFLON）封口带，表面光滑，不易沾粘，封口质量好。

可选择的配套装置有：袋口的除尘装置、修剪装置。

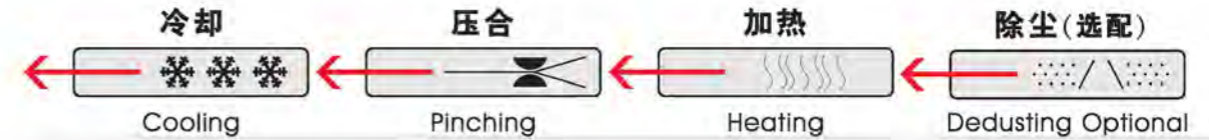
FBH series automatic heat sealer for heavy-duty plastic bag can continuously seal thick PE or PP plastic bags and laminated bags of paper/ PE ,AL/PE film with high performance and speed. It's widely used in the fields of chemical material, medical material, rice, foodstuff, feeds etc.

According to different materials and different thickness of bags, we have divided this series into relevant suitable models, including FBH-32, FBH-42 etc.

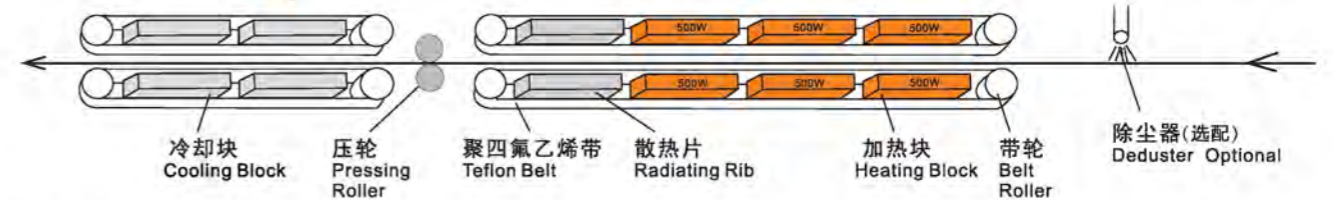
This series machines adopt Poly Tetra Fluoro Ethylen(TEFLON) sealing belt, which could make the bags quickly cool down after heating, with surface smooth and plain, so as to guarantee its sealing quality.

The optional devices include trimmer for bag edge, deduster, etc.

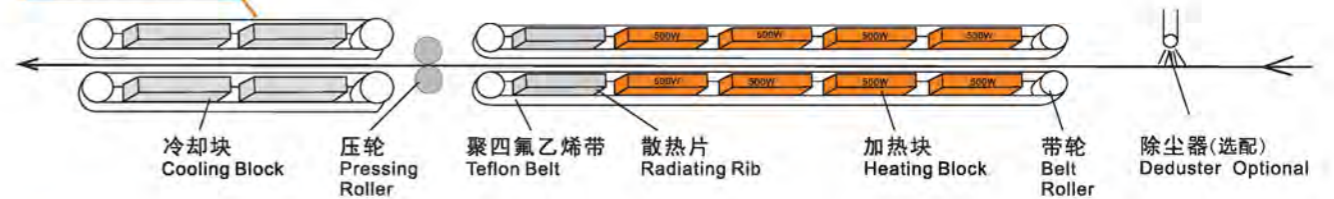
工序排列 Procedure sequence



FBH-32D



FBH-42



Parameters	FBH-32	FBH-32D	FBH-42	FBH-42D
电源电压(V/Hz)Voltage		三相(3PH)	AC380/50	
总功率(KW) Gross Power	4	4.5	5	5.5
传动功率(KW) Transmission Power	0.75	0.75	0.75	0.75
加热功率(KW) Heating Power	0.5×6	0.5×6	0.5×8	0.5×8
除尘功率(KW) Deduster Power	—	0.75	—	0.75
封口速度(m/min)Sealing Speed	0~12	0~12	0~12	0~12
塑料袋材料 Film Material		聚乙烯(PE)、聚丙烯(PP)薄膜film		
塑料袋总厚度(mm) Bag Thickness	≤0.8	≤0.8	≤0.8	≤0.8
封口宽度(mm) Sealing Width		8~10(可定制customizable)		
封口中心至地面的高度(mm) Height From Sealing Center to the Floor	800~1400	800~1400	800~1400	800~1400
物料至袋口的最小高度(mm) The minimum distance between the top of bag	180	180	180	180
温控范围(°C) Temperature Range	0~300	0~300	0~300	0~300
气源压力(Mpa) Air Source Pressure	0.6	0.6	0.6	0.6
冷却方式 Cooling Type		空气冷却 Air cooling		
除尘器 Deduster	×	√	×	√
外形尺寸(L×W×H)(mm) Dimension		2830×950×1800		3015×950×1800
净重(kg) Net Weight	320	320	350	350

注Note:
“D”表示配置除尘机构 Deduster is available
√=选用 Available ×=不选用 Not available



脉冲式热封重袋包装机 FBH-S

IMPULSE MOVING SEALER



FBH-S
脉冲式热封重袋包装机
IMPULSE MOVING SEALER

按程序自动完成包装袋袋口的热封、计数等工序。

采用光、机、电一体化的先进技术，实现了自动化、高效化。

采用脉冲信号控制温度。

经封口的包装袋密封性能极佳，可防尘、防蛀、防污染，使包装物受到妥善的保护。

可选的配套装置有：袋口的除尘装置、修剪装置。

Automatically complete the processes of packaging bag opening, heat sealing, counting, etc. according to the program.

Adopting advanced technology that integrates light, machinery, and electricity, automation and efficiency have been achieved.

Using pulse signals to control temperature.

The sealed packaging bag has excellent sealing performance, which can prevent dust, moth, and pollution, ensuring proper protection of the packaging.

Optional supporting devices include: dust removal device for bag opening and trimming device.

袋口包装方式 Mode of bag top packaging.



适用于热封厚度单层为0.12~0.32mm的PE或PP较厚的塑料袋。

It is suitable for PE or PP bag with thickness of 0.12-0.32mm

工序排列 Procedure sequence



Parameters	FBH-S
电源电压(V/Hz) Voltage	三相(3PH) AC380/50
总功率(KW) Gross Power	5
封口速度(m/min) Sealing Speed	0~12
封口宽度(mm) Sealing Width	5
封口中心至地面的高度(mm) Height From Sealing Center to the Floor	800~1400
物料至袋口的最小高度(mm) The minimum distance between the top of bag	180
温控范围(℃) Temperature Range	0~300
气源压力(Mpa) Air Source Pressure	0.6
加热行程(mm) Heater Move Stroke	550
最大袋子宽度(mm) Max. bag width	460
物料袋总厚度(mm) Total Thickness of Bag	≤0.8
外形尺寸(L×W×H)(mm) Dimension	2172×1022×1800

可定制：加热行程和宽度可以根据袋子情况定制可以安装除尘装置和袋口修剪装置。

Note:

- 1.Special order: Impulse heater width and stroke may be varied according to bag width and capacity.
- 2.Dust cleaner and trimmer may be mounted.



封口缝合自动包装机 FBHK/FBHS SERIES AUTOMATIC SEALING AND SEWING PACKING MACHINE



FBHK-24DC

封口缝合自动包装机

AUTOMATIC SEALING AND SEWING PACKING MACHINE



FBHK-332DC

封口缝合自动包装机

AUTOMATIC SEALING AND SEWING PACKING MACHINE

FBHK封口缝合自动包装机适用于包装重量在10-50kg的重型大袋，适合编织袋、PE复合袋等包装。

该系列机型采用光、机、电一体化的先进技术，实现了自动化、高效化。

采用此种方式的包装，工作效率高，袋口牢固度好，气密性能佳，可防尘、防潮、防霉、防污染，使包装物得到妥善的保护。

The FBHK Automatic Sealing and Sewing Packing machine apply to 10-50kg heavy-duty bag of woven (PE) compound material.

The series adopt the advanced technology of light, mechanism and electricity integration to guarantee its full automation and high performance.

The bag packed by the above method has the advantages of strong closure and dust, moisture, mould, pollution proof which enable the product inside pack well protected.

袋口包装方式 Mode of bag top packaging.

编织袋内衬PE塑料袋 woven bag with plastic PE-lined film

先将内衬的PE膜热合，然后包上皱纹纸带缝合。
First seal inner PE film, then seal crepe paper tape for stitch.



编织袋内衬PE塑料袋 woven bag with plastic PE-lined film

先将内衬的PE膜热合，然后缝合袋口，包上热熔胶纸带加热压合。
First seal inner PE film, then stitch, and add thermosal paper tape for heating closure.



工序排列 Procedure sequence

FBHK-2



FBHK-3



Parameters	FBHK-23C	FBHK-24DC	FBHK-332C	FBHK-332DC
电源电压(V/Hz)Voltage		三相(3PH)	AC380/50	
总功率(KW) Gross Power	4.5	6	6.5	7
传动功率(KW) Transmission Power	0.75	0.75	0.75	0.75
缝纫机驱动功率(KW) Motor power of sewing machine	0.37	0.37	0.37	0.37
加热功率(KW) Heating Power	0.5×6	0.5×8	0.5×10	0.5×10
除尘功率(KW) Deduster Power	—	0.75	—	0.75
封口速度(m/min)Sealing Speed	8.5(可定制上限为11 can customizad to be Max.11)			
封口中心至地面的高度(mm) Height From Sealing Center to the Floor	800~1400	800~1400	800~1400	800~1400
物料至袋口的最小高度(mm) The minimum distance between the top of bag	180	180	180	180
温控范围(℃) Temperature Range	0~300	0~300	0~300	0~300
气源压力(Mpa)Air Source Pressure	0.6	0.6	0.6	0.6
纸带 Paper Tape	55(mm)皱纹纸带 Crepe paper tape		75(mm)热熔胶纸带 Thermosal paper tape	
外形尺寸(L×W×H)(mm) Dimension	2900×950×1800	3040×1137×1800	2900×950×1800	
净重(kg) Net Weight	500	600	700	750

注Note:包装要求:

1.编织袋内衬PE袋表面覆膜，外袋熔点140℃-160℃，内袋熔点100℃（内外袋温差30-50℃及以上）。2.内外袋口齐平粘连，袋口平整无多层折叠褶皱。

Bag requirements:

1.The woven bag with inner PE bag,the melting point of the outer bag is 140℃-160℃,and 100℃ for inner bag (temperature difference between inner and outer one should not less than 30-50℃).

2.Edge of open side for inner and outer bag should align and adhered,without any wrinkle or overlap.



封口缝合自动包装机 FBHK-2H

AUTOMATIC SEALING AND SEWING PACKING MACHINE



FBHK-2H

封口缝合自动包装机

AUTOMATIC SEALING AND SEWING PACKING MACHINE

FBHK-2H封口缝合自动包装机适用于包装重量在25~50kg的重型大袋，适合单(多)层内覆聚乙烯(PE)或聚丙烯(PP)的牛皮纸袋、或纸塑复合袋、或纸编织复合袋等的包装。

按程序自动完成包装袋袋口的除尘(选配)、内袋间歇式封口、缝合、剪线辫和计数等工序。

采用光、机、电一体化的先进技术，实现了自动化、高效化。

内袋封口采用迷宫式封口，袋内空气可通过S型的迷宫间隙排出。

经封口的包装袋密封性能极佳，可防尘、防蛀、防污染，使包装物受到妥善的保护。

The FBHK-2H Automatic Sealing and Stitching Packaging Machine is suitable for packaging heavy bags weighing between 25 and 50kg, suitable for single (multi) layer kraft paper bags covered with polyethylene (PE) or polypropylene (PP), paper plastic composite bags, or paper woven composite bags.

Automatically complete the dust removal (optional) of the packaging bag opening, intermittent sealing of the inner bag, stitching, thread cutting and counting processes according to the program.

Adopting advanced technology that integrates light, machinery, and electricity, automation and efficiency have been achieved.

The inner bag seal adopts a labyrinth seal, and the air inside the bag can be discharged through the S-shaped labyrinth gap.

The sealed packaging bag has excellent sealing performance, which can prevent dust, moth, and pollution, ensuring proper protection of the packaging.

袋口包装方式 Mode of bag top packaging.



工序排列 Procedure sequence

FBHK-2H



Parameters	FBHK-2H
电源电压(V/Hz) Voltage	三相(3PH) AC380/50
总功率(KW) Gross Power	3.5
传动功率(KW) Transmission Power	0.75
缝纫机驱动功率(KW) Motor power of sewing machine	0.37
加热功率(KW) Heating Power	1×2
封口速度(m/min) Sealing Speed	8.5(可定制上限为11 can customized to be Max.11)
封口中心至地面的高度(mm) Height From Sealing Center to the Floor	800~1400
物料至袋口的最小高度(mm) The minimum distance between the top of bag	180
温控范围(°C) Temperature Range	0~300
气源压力(Mpa) Air Source Pressure	0.6
应用 Applications	多层纸袋、纸塑复合袋及二合一、三合一袋、内衬铝塑或PE薄膜袋等 Multi-layer paper bag, paper-PE compound bag, 2 in 1 or 3 in 1 bag, Al-PE inner liner bag or PE bag.
外形尺寸(L×W×H)(mm) Dimension	1820×1185×1800
净重(kg) Net Weight	540

注Note:包装袋要求:

1.编织袋内衬PE袋表面覆膜，外袋熔点140℃-160℃，内袋熔点100℃(内外袋温差30-50℃及以上)。2.内外袋口齐平粘连，袋口平整无多层折叠褶皱。

Bag requirements:

1.The woven bag with inner PE bag, the melting point of the outer bag is 140℃-160℃, and 100℃ for inner bag (temperature difference between inner and outer one should not less than 30-50℃).

2.Edge of open side for inner and outer bag should align and adhered, without any wrinkle or overlap.



封口折边缝合自动包装机 FBHS SERIES

AUTOMATIC SEALING & EDGE FOLDING & SEWING PACKING MACHINE



FBHS-23

封口折边缝合自动包装机

AUTOMATIC SEALING & EDGE FOLDING & SEWING PACKING MACHINE

FBHS封口折边缝合自动包装机适用于包装重量在10-50kg的重型大袋，适合编织袋、PE复合袋等包装，该系列机型可按程序自动完成包装袋袋口的除尘（选配）、热封、压合、折边、缝合、剪线辮和计数等工序。

该系列机型采用光、机、电一体化的先进技术，实现了自动化、高效化。

采用此种方式的包装，工作效率高，袋口牢固度好，气密性能佳，可防尘、防潮、防霉、防污染，使包装物得到妥善的保护。

The FBHS Automatic Sealing & Edge Folding & Sewing Packing machine apply to 10-50kg heavy-duty bag of woven (PE) compound material.

The series could automatically finish the process of dust-cleaning(optional), heat sealing, pinching, edge folding, sewing, trimming and counting, etc.

The series adopt the advanced technology of light, mechanism and electricity integration to guarantee its full automation and high performance.

The bag packed by the above method has the advantages of strong closure and dust, moisture, mould, pollution proof which enable the product inside pack well protected.

袋口包装方式 Mode of bag top packaging.

编织袋内衬PE塑料袋 woven bag with plastic PE-lined film

先将内衬的PE膜热合，然后折袋口缝合。
First heat seal the PE-lined film, then sew the folded bag top.



工序排列 Procedure sequence

FBHS-23



Parameters	FBHS-23	FBHS-24
电源电压(V/Hz) Voltage	三相(3PH) AC380/50	三相(3PH) AC380/50
总功率(KW) Gross Power	4.5	5.2
传动功率(KW) Transmission Power	0.75	0.75
缝纫机驱动功率(KW) Motor power of sewing machine	0.37	0.37
加热功率(KW) Heating Power	0.5×6	0.5×8
封口速度(m/min) Sealing Speed	8.5(可定制上限为11 can customizad to be Max.11)	
封口中心至地面的高度(mm) Height From Sealing Center to the Floor	800~1400	800~1400
温控范围(°C) Temperature Range	0~300	0~300
物料至袋口的最小高度(mm) The minimum distance between the top of bag	270	270
袋口折边宽度(mm) Folding Width	50	50
外形尺寸(L×W×H)(mm) Dimension	2900×950×1800	3120×950×1800
净重(kg) Net Weight	500	600

注Note:包装袋要求:

1.编织袋内衬PE袋表面覆膜，外袋熔点140℃-160℃，内袋熔点100℃（内外袋温差30-50℃及以上）。2.内外袋口齐平粘连，袋口平整无多层折叠褶皱。

Bag requirements:

1.The woven bag with inner PE bag,the melting point of the outer bag is 140℃-160℃,and 100℃ for inner bag (temperature difference between inner and outer one should not less than 30-50℃).

2.Edge of open side for inner and outer bag should align and adhered,without any wrinkle or overlap.





舌口重袋折口热压自动包装机 FBP SERIES

SINGLE OR DOUBLE FOLD & PINCH-SEALING PACKAGING MACHINE



FBP-3W

舌口重袋折口热压自动包装机

SINGLE OR DOUBLE FOLD & PINCH-SEALING PACKAGING MACHINE



FBP-S

舌口重袋折口热压自动包装机

SINGLE OR DOUBLE FOLD & PINCH-SEALING PACKAGING MACHINE

FBP系列舌口重袋折口热压自动包装机适合多层舌口纸袋的折口、加热、压合，或内衬袋的预热、热封和外袋的折口、加热、对涂有热熔胶的袋口舌部分压合等方式的包装。

该系列机型采用光机电一体化先进技术，可按程序自动完成袋口的张开、热风预热内袋、热封内袋、折边压痕、袋口折边、热风加热和袋口舌压合和计数等工序。

采用此种方式的纸袋包装，工作效率高，袋口牢度好，气密性能佳，可防尘、防潮、防霉、防污染，使包装物得到妥善的保护。

FBP automatic edge-folding & heat-pressing sealer for heavy-duty bag for paper sack is suitable for packaging processes of top edge-olding, heating, pinching, or processes of preheating of inner plastic layer, heat-sealing, out bag top folding, heating, pinching.

This series machines adopt photoelectric combined technology. They are programmable to auto finish bag top opening, hot wind preheating, heat-sealing inner plastic, embossing folded line, edge folding, hot wind heating and sack top pinching.

This machine is efficient, and this sealing type has the highlights of sift-proof, strong closure, dust-proof, moist-proof, mold free, no contamination, which makes the materials in sacks well protected.

袋口包装方式 Mode of bag top packaging.



适用于带舌口单层牛皮纸袋或双层牛皮纸袋及内衬PE塑料袋的自动包装，首先热封内衬的塑料袋，然后折合袋口舌成90°并以热风熔融袋口舌部位的热熔胶，然后折成180°加压封合。

The machine is suitable for the automatic packaging of flanging kraft paper bag or multi-ply kraft paper bag and the plastic bag with inner PE film. At first, it seals the inner plastic bag, and fold the bag opening to 90 degree and heats bag top thermosol with hot wind, then pinches and seals.

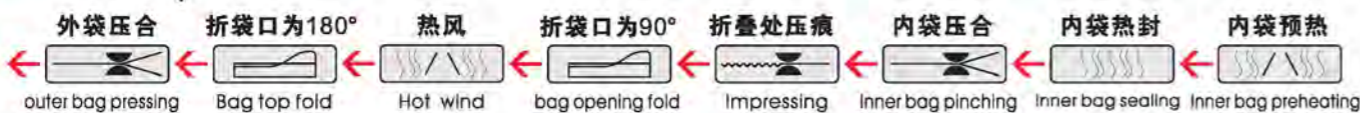


舌口重袋折口热压自动封口机适用于舌口牛皮纸袋的封口包装。其工作程序是折合袋口舌成90°并以热风熔融袋口舌部位的热熔胶，然后折为180°加压粘合。

FBP-S single or double folding & pinch-sealing packaging machine is suitable for sealing the flanging kraft paper bag, whose working process is to fold the bag opening to 90 degree, heat bag top thermosol with hot wind, and then fold to 180 degree to pinch and seal.

工序排列 Procedure sequence

FBP-3W



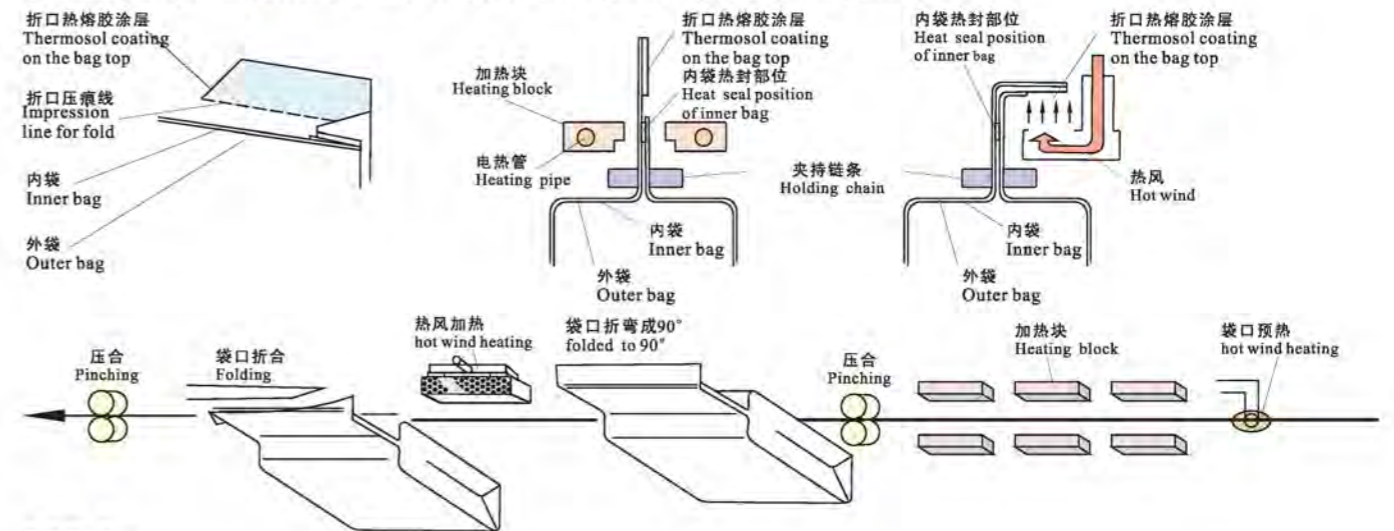
FBP-S



FBP-3W

舌口袋内袋热封外袋折口热压包装的工作原理和流程

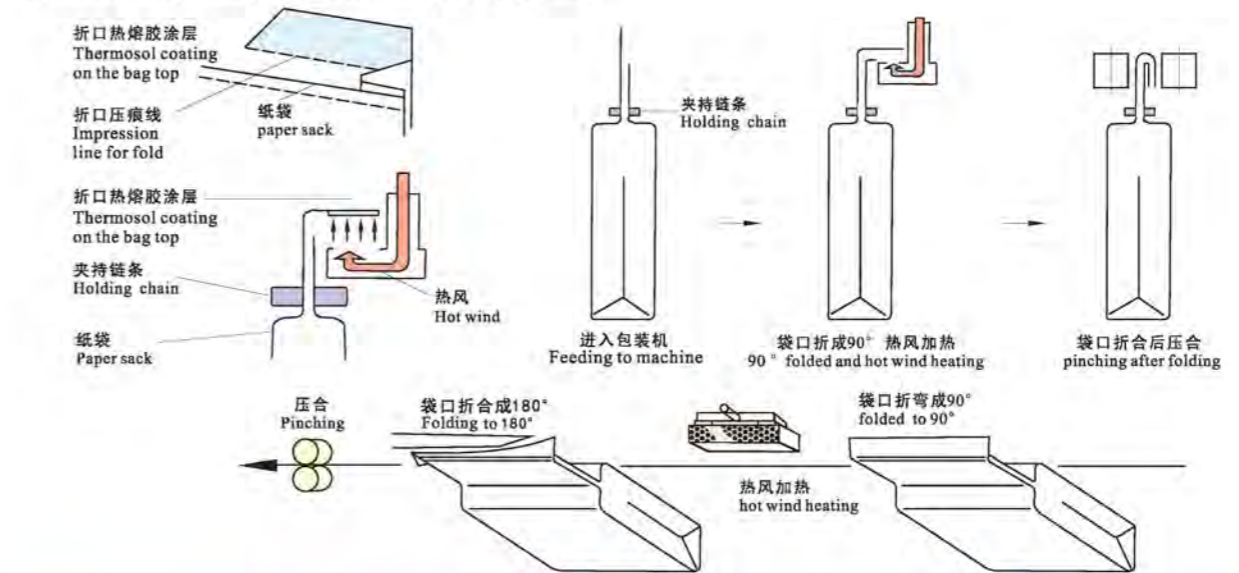
Operation principle and procedure of heat-sealing of inner bag, outer bag folding & hot pinching



FBP-S

舌口袋折口热压包装的工作原理和流程

Operation principle and procedure of folding and hot pinching



Parameters	FBP-3W	FBP-S
电源电压(V/Hz) Voltage	三相(3PH) AC380/50	三相(3PH) AC380/50
总功率(KW) Gross Power	7.5	3
传动功率(KW) Transmission Power	0.75	0.37
加热功率(KW) Heating Power	6.45	2.25
封口速度(m/min) Sealing Speed	0-10	0-10
折口位置 Flanging Position	在舌口之下 Under the fold 10-15mm	
包装袋材料 Bag Tape	纸袋内衬PE或复合袋 Paper bag plastic bag with Inner PE film	纸袋 Paper bag
封口中心至地面的高度(mm) Height From Sealing Center to the Floor	800-1400	800-1400
外形尺寸(L×W×H)(mm) Dimension	3500×950×1800	2500×950×1800
净重(kg) Net Weight	350	280





重袋两折侧封自动包装机 FBC SERIES

DOUBLE FOLDING & SEALING AUTOMATIC PACKAGING MACHINE



FBC-2+SJB-500/35
重袋两折侧封自动包装机

DOUBLE FOLDING & SEALING AUTOMATIC PACKAGING MACHINE

FBC-2重袋两折侧封自动包装机,是一种环保型包装机械。它适合包装重量在25~50Kg的重袋,适用于包装单(多)层牛皮纸袋、纸塑(PE)复合袋及内衬塑料袋及二合一、三合一袋等。

本机可按程序自动完成包装袋的除尘(选配)、内袋热封、压合、修边压痕、第一次折口、压平、第二次压痕、第二次折口、压平、纸带侧封和热合等工序。

经包装后的包装袋,封口密封性好牢固,可防尘、防潮、防污染,使包装物得到妥善的保护。

FBC-2 double folding & sealing automatic packaging machine is a kind of environment-protective packing machine. It is suitable for packing sack weighing from 25~50kg, and it is suitable for packing monolayer or multilayer kraft paper bag, paper plastic compound bag and inner plastic bag etc.

This machine can automatically achieve operation procedures of dedusting (optional), inner bag sealing, pinching, trimming & impressing, first folding, flattening, second impressing, second folding, tape sticking and sealing etc.

The packed bag will have excellent sealing performance and fastness, which owns the advantage of dust-proof, damp-proof, pollution proof and could protect the packing product appropriately.

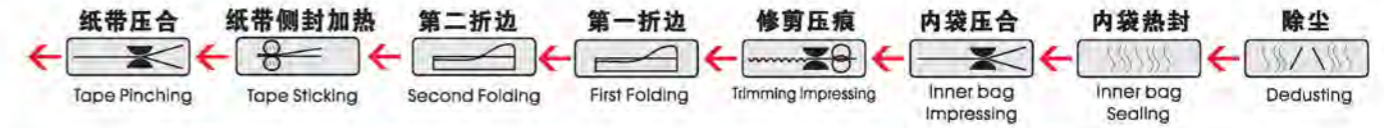
袋口包装方式 Mode of bag top packaging.

袋口先加热封口,然后折上两折,包上热熔胶纸带加热压合。
Seal bag opening, then fold two times, and add thermosal paper for pinching closure.



工序排列 Procedure sequence

FBC-2



特点:

1. 该机可选配除尘机构,用以清除袋口粉尘;
2. 采用可控的恒温加热机构,实现内衬袋加热热封,使袋口密封良好;
3. 采用热封内袋,袋口两次折边,侧面粘贴热熔胶纸带,防止折口回弹;
4. 采用步进电机牵引纸带,按设定长度自动切断纸带,尺寸稳定可靠;
5. 采用旋转加热机构,热熔胶纸带加热均匀,实现瞬间粘贴;
6. 传动机构采用特制的夹持链条,实现包装袋的输入和输送机的同步运行;
7. 整机由PLC按可编程序,自动完成包装的全过程;
8. 本机可与输送机组成生产线,并可与自动计量、自动灌装、自动转向倒袋、自动整袋、码垛、穿箭捆扎和塑料薄膜缠绕等单元设备等组成自动包装生产线。

Feature:

1. Dedusting mechanism is optional, which is used to remove the dust on bag opening.
2. Adopting controllable constant heating device for heating and pinching inner plastic layer to keep air-tight.
3. Adopting inner bag sealing, bag opening-folding for two times, hot melt tape sticking on one side to prevent folded bag opening from rebounding.
4. Adopting step motor to draught tape which will be cut according length automatically. The relevant actions will be achieved stably and reliably.
5. Adopting swivel heater for heating tape so as to achieve instant sticking.
6. Transmission mechanism adopts tailor-made gripping chain to keep packing bag feeder and conveyor working in-phase.
7. The whole machine completes the whole process of packing automatically according to programmable procedure by PLC.
8. This machine can form production line by being equipped with conveyor, and it can form automatic production line with devices for auto weighing, auto filling, auto turning & falling, auto line-up, auto palletizing, auto strapping and auto film wrapping etc.

Parameters	FBC-2	FBC-2D
电源电压(V/Hz)Voltage	三相(3PH) AC380/50	三相(3PH) AC380/50
总功率(KW) Gross Power	5.5	6
传动功率(KW) Transmission Power	0.75	0.75
加热功率(KW) Heating Power	4.5	4.5
除尘功率(KW) Deduster Power	—	0.75
封口速度(m/min) Sealing Speed	0~11	0~11
封口中心至地面的高度(mm) Height From Sealing Center to the Floor	800~1400	800~1400
温控范围(°C) Temperature Range	0~300	0~300
气源压力(Mpa) Air Source Pressure	0.6	0.6
除尘器 Deduster	×	√
热熔胶纸带规格(mm) Specification of Hot Melt Tape	50	50
外形尺寸(L×W×H)(mm) Dimension	3550×950×1800	3550×950×1800
净重(kg) Net Weight	350	350

注Note:
"D"表示配置除尘机构 Deduster is available.



重袋折口包带自动包装机 FBF SERIES

ONE-LINE FOLDING AND SEALING AUTOMATIC PACKAGING MACHINE



FBF-32A

重袋折口包带自动包装机

ONE-LINE FOLDING AND SEALING AUTOMATIC PACKAGING MACHINE

该机适合单(多)层纸袋和内衬塑料袋的包装,可按程序自动完成热封内衬塑料袋、压合内袋、修剪袋口、折口线压痕、折袋口、包热熔胶纸带、纸带加热压合和计数等工序,并可选配袋口除尘装置机构。

B型热封方式的包装,适用于拆开纸袋底部,然后提起袋口,内衬袋保持密封状态自行滑出。该包装方式用于内衬塑料袋与内装物料同一材质,加料时只需带袋一起投入,便于加原料又可免去去包装袋的回收。

This machine is suitable for packing paper bag, multi-ply paper bag and inner plastic layers. According to the program, it can finish the processes of hot sealing inner plastic bags, pressing, trimming, side-line folding and impressing, bag top folding, packing thermosol paper tape, pressing paper and counting automatically, and deduster (optional).

Type B is applicable to open the bottom of the paper bag, and pick up the top of the bag, and then the inner bag will open automatically. This packing way is applicable to that the material of inner plastic bag and packing goods are the same. When need adding the materials, we just can put it into them together with the bags, so that it's very convenient for adding material and also is free of recycling these packing bags.

Parameters	FBF-32A	
电源电压(V/Hz)Voltage	三相(3PH)	AC380/50
总功率(KW) Gross Power	6	
传动功率(KW) Transmission Power	0.75	
电热器功率(KW) Sealing Power	0.5 × 10	
封口速度(m/min)Sealing Speed	0~11	
封口中心至地面的高度(mm) Height From Sealing Center to the Floor	800~1400	
温控范围(°C) Temperature Range	0~400	
除尘器 Deduster	×	
应用 Applications	3层纸袋、内衬PE薄膜袋的热封,一次折袋口及包热熔胶纸带 Three-layer paper bag, PE film inner liner sealing, one-folding and thermosol paper tape.	
热熔胶纸带规格 Specification of Hot Melt Tape	宽(width)75mm, 纸芯 (paper core)75mm	
外形尺寸(L×W×H)(mm) Dimension	2790 × 950 × 1800	
净重(kg) Net Weight	320	

注Note:
“D”表示配置除尘机构 Deduster is available.
√=选用 Available ×=不选用 Not available

工序排列 Procedure sequence

FBF-32D



袋口包装方式 Mode of bag top packaging.



FBF适用于单(多)层牛皮纸袋和内衬PE塑料袋的自动封口。首先透过牛皮纸袋热封塑料内袋;然后折合袋口并包上热熔胶纸带,加热压合。

内衬袋的封口位置有两种,其中A型的内衬袋热封部位在袋口处;B型的热封部位在折口的背脊处,用于拆开纸袋底部,内袋保持密封状态整体脱离外袋。



FBF The machine is suitable for the automatic packaging of kraft paper bag or multi-ply kraft paper bag with inner PE plastic bag. At first, it seals the inner plastic bag, and makes thermosol paper tape applied over top of bag where already folded. Automatic cut after tape sealed.

There are two types of inner bag sealing positions. With type A near the bag mouth(opening)and B type at two sides of impressing line. please note B type is specially used for keeping inner bag completed when opening the bottom.

Parameters	FBF-32AD	FBF-32B	FBF-32BD
电源电压(V/Hz)Voltage		三相(3PH)	AC380/50
总功率(KW) Gross Power	6.5	6	6.5
传动功率(KW) Transmission Power	0.75	0.75	0.75
电热器功率(KW) Sealing Power	0.5 × 10	0.5 × 10	0.5 × 10
封口速度(m/min)Sealing Speed	0~11	0~11	0~11
封口中心至地面的高度(mm) Height From Sealing Center to the Floor	800~1400	800~1400	800~1400
温控范围(°C) Temperature Range	0~300	0~300	0~300
除尘器 Deduster	√	×	√
应用 Applications	3层纸袋、内衬PE薄膜袋的热封,一次折袋口及包热熔胶纸带 Three-layer paper bag, PE film inner liner sealing, one-folding and thermosol paper tape.		
热熔胶纸带规格 Specification of Hot Melt Tape	宽(width)75mm, 纸芯 (paper core)75mm		
外形尺寸(L×W×H)(mm) Dimension	3050 × 950 × 1800	2790 × 950 × 1800	3050 × 950 × 1800
净重(kg) Net Weight	350	320	350

注Note:
“D”表示配置除尘机构 Deduster is available.
√=选用 Available ×=不选用 Not available



包带缝合包装机 FBS-10 SERIES

AUTOMATIC EDGE-BINDING STITCHING PACKAGING MACHINE



FBS-10A

包带缝合自动包装机

AUTOMATIC EDGE-BINDING STITCHING PACKAGING MACHINE



FBS-10B

包带缝合包装机

AUTOMATIC EDGE-BINDING STITCHING PACKAGING MACHINE

FBS-10包带缝合包装机适用于纸袋或纸塑编复合袋袋口的包纸带和缝合，在粮食、饲料、化工等行业得到广泛的应用。

该机采用光电控制，能连续完成纸袋袋口的修剪、包纸带、缝合、剪纸带和剪线辫等工序。其供气系统实现线辫剪断和油雾润滑的喷射。

该机可以与自动计量、灌装机、及输送机组合成自动生产线。

用户可选择的装置：5位数计数器、断线报警装置。

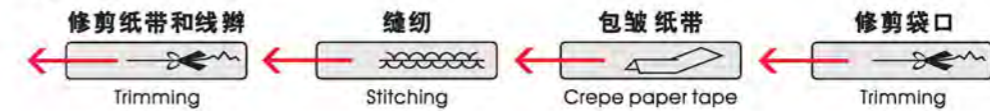
FBS-10 semi-automatic enveloping & sewing sealer for heavy-duty bag is suitable for bag top binding and stitching of paper bags. It has wide application in the fields of foodstuff, feed, chemical industry. This machine adopts photoelectric control system, which could atically and continuously finish all the processes of bag top trimming, paper tape binding, stitching, paper tape snipping and thread snipping. Its pneumatic system act the thread snipping and lube spray.

It can make up an automatic production line with auto weighing, filling machine and conveyor.

Optional devices:5 digits counter, alarm of thread broken.

工序排列 Procedure sequence

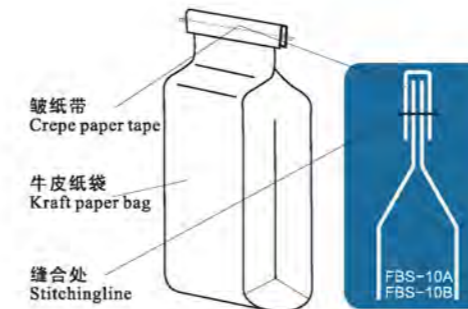
FBS-10A



FBS-10B



袋口包装方式 Mode of bag top packaging.



Parameters	FBS-10A	FBS-10B
电源电压(V/Hz) Voltage	三相(3PH) AC380/50	三相(3PH) AC380/50
总功率(KW) Gross Power	1	0.6
传动功率(KW) Transmission Power	0.18	—
缝纫机驱动功率(KW) Motor Power of Sewing Machine	0.37	0.37
封口速度(m/min) Sealing Speed	9(可定制8-16 can be customized 8-16)	
封口中心至地面的高度(mm) Height From Sealing Center to the Floor	800~1400	800~1400
气源压力(Mpa) Air Source Pressure	0.6	0.6
皱纸带宽度(mm) Paper Tape Width	55	65
缝纫机型号 Sewing Machine Model	GK-7C(可选配DS-9C、GK95-1、DS-7C等 Optional DS-9C、GK95-1、DS-7C、etc)	
机针型号 Needle Model	80800×250#	
缝纫机线规格 Sewing Machine Specification	20S/6、20S/9化纤线 Fiber thread	
袋口至物料的空余高度(mm) Height Space Request of Bag Top	200~250	200~250
外形尺寸(L×W×H)(mm) Dimension	1120×1313×2750	1120×1135×2750
净重(kg) Net Weight	200	150



折口缝合包装机 FBS-20 SERIES AUTOMATIC EDGE-BINDING STITCHING PACKAGING MACHINE



FBS-20

折口缝合自动包装机

AUTOMATIC EDGE-BINDING STITCHING PACKAGING MACHINE



FBS-20C

缝合包装机

AUTOMATIC EDGE-BINDING STITCHING PACKAGING MACHINE

FBS-20重袋折口缝合封口机适用于牛皮纸袋或纸塑复合袋袋口的自动折口和缝合,在粮食、饲料、化工等行业得到广泛的应用。

该机采用光电控制,能连续完成牛皮纸袋或塑料编织袋袋口的折口、缝合、剪线等工序。其供气系统实现线剪和油雾润滑。

该机可以与自动计量器、灌装机、输送机组合成自动生产线。

用户可选择的装置:5位数计数器、断线报警装置。

FBS-20C袋口缝合包装机适用于纸袋或编织袋袋口的缝合,可在石化、农药、肥料、粮食、饲料等行业使用。该机可配输送机或者滑台,缝切机的启动和停止由脚踏开关控制,线剪由手动剪断。

FBS-20 automatic edge-binding stitching packaging machine for heavy-duty bag is suitable for edge-folding and stitching of kraft paper bag or plastic woven bags, it has wide application in the fields of foodstuff, feed, chemical industry.

This machine adopts photoelectric control system, which could automatically and continuously finish all the processes of edge-folding, stitching, thread-snipping etc. of plastic woven bags. Its pneumatic system acts the thread-snipping and lube spray.

It can make up an automatic production line with auto. gage, filling machine and conveyor.

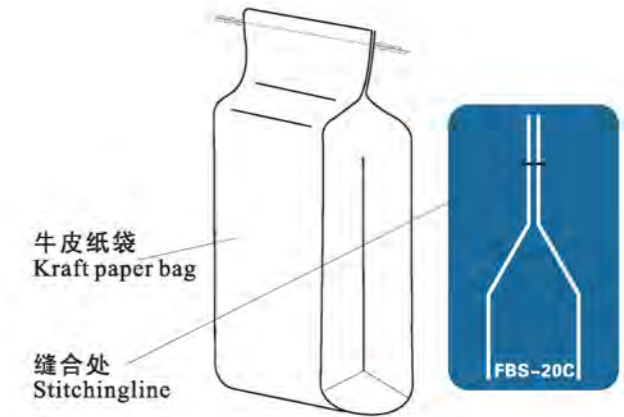
Optional device: Edge-folder, 5 digits counter, alarm of thread broken.

FBS-20C stitching packaging machine is suitable for stitching the paper or knitting bag, and it is used in the fields of landification, pesticide, fertilizer, foodstuff and feedingstuff ect.This machine can equipped with a conveying machine or slipway. The start and stop the sartorious are controlled by the pedal switch.Thread can be trimmed by manual.

袋口包装方式 Mode of bag top packaging.



适用于纸袋或编织袋的袋口经折叠后缝合的包装。
Suit for stitching packing of paper bag or woven bags after bag top folder.



牛皮纸袋
Kraft paper bag

缝合处
Stitchingline

Parameters	FBS-20	FBS-20C
电源电压(V/Hz)Voltage	三相(3PH) AC380/50	三相(3PH) AC380/50
总功率(KW) Gross Power	1	0.6
传动功率(KW) Transmission Power	0.18	-
缝纫机驱动功率(KW) Motor Power of Sewing Machine	0.75	0.55
封口速度(m/min) Sealing Speed	9(可定制8-16 can be customized 8-16)	
封口中心至地面的高度(mm) Height From Sealing Center to the Floor	800-1400	800-1400
气源压力(Mpa) Air Source Pressure	0.6	0.6
袋口折边宽度(mm) Folding Width	40-60	-
缝纫机型号 Sewing Machine Model	GK35-7(可选配DS-9C、GK95-1、DS-7C等 Optional DS-9C、GK95-1、DS-7C、etc)	
机针型号 Needle Model	80800×250#	
缝纫机线规格 Sewing Machine Specification	20S/6、20S/9化纤线 Fiber thread	
袋口至物料的空余高度(mm) Height Space Request of Bag Top	200-250	200-250
外形尺寸(L×W×H)(mm) Dimension	1250×1119×2750	838×1119×2750
净重(kg) Net Weight	200	150

注Note:

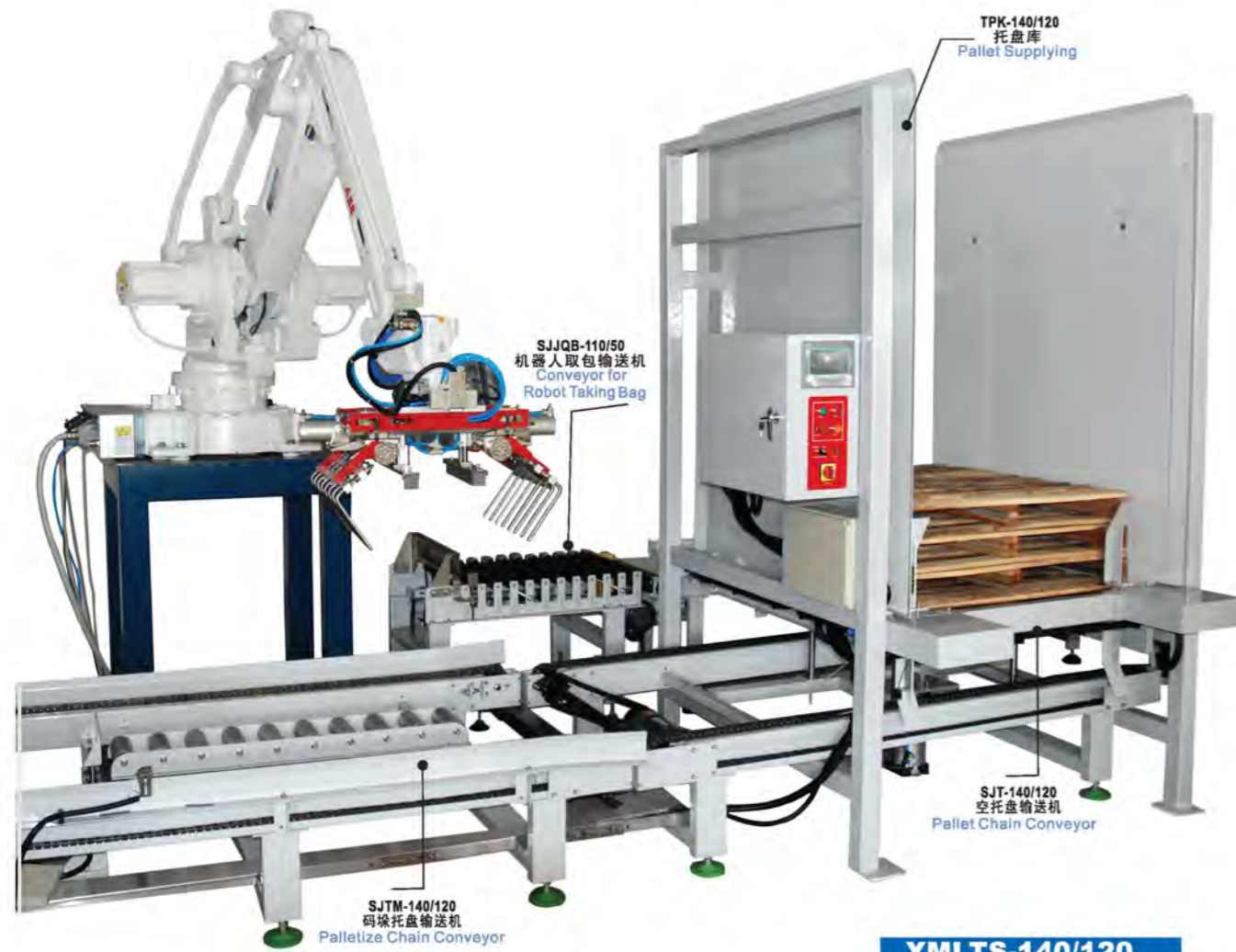
1、FBS-20C选配无动力滑台,将型号末位的“C”换为“D”。

If need equip power free slipway ,please change the “C” to “D” at the end of the model.



机器人码垛托盘输送线 XJMTS-140/120

ROBOT-PALLETIZING PALLET CONVEYING LINE



XMLTS-140/120

XJMTS机器人码垛托盘输送线与码垛机器人组合并配以各种专用抓手，可以在托盘上码垛袋类、箱类、桶类、板类等包装件。机器人码垛托盘输送线，可与纸箱成形机、自动装箱机、自动封箱机、无人化全自动捆机、在线式托盘自动缠绕包装机等组成纸箱自动包装的整线工程。

该线与自动计量灌装机、重袋自动封口机、码垛机器人、顶捆穿箭式托盘全自动捆扎机、在线式托盘自动缠绕包装机等可组成重载大袋自动包装的整线工程以及其他包装方式的整线工程，应用极为广泛。

TXJMTS Robot-palletizing Pallet Conveying Line can be combined with robotic palletizer and equipped with different kinds of appropriate claws. This production line can palletize varied packing objects on the pallet such as bags, cartons, buckets, boards etc.

Robot-palletizing Pallet Conveying Line is used widely in making up whole line projects for many different means of packing. For instance, it can be matched to Case Erector, Automatic Encasing Machine, Automatic Carton Sealer, Automatic Strapping Machine and Automatic Wrapping Machine etc. to form whole line project of automatic carton packing; it can be matched to Automatic Weighting Filling Machine, Automatic Packing Machine Of Heavy-duty Bags, Robotic Palletizer, Pallet Strapping Machine, Automatic Wrapping Packaging Machine etc as well to form whole line project of packaging systems.

托盘库	TPK-140/120
PALLET SUPPLYING	
可装托盘数 Installation Capacity	10个 (pallets)
托盘规格 Pallet Specification	双面塑料托盘或木料托盘(四面进叉) Plastic pallet with two faces or wooden pallet (four sides available for forks)
托盘尺寸(LXWX H)(mm) Pallet Dimensions	1 400X 1200X150 1 400X 1000X150 1 200X 1000X150
托盘输送最小高度(mm) The minimum distance of pallet conveyor	600
气源压力(Mpa) Air Source Pressure	0.6
外形尺寸(L×W×H)(mm) Dimension	1815X 1460X 2430
净重(kg) Net Weight	360

SJ	SJT-1 40/120	SJTM-1 40/120
输送机 CONVEYOR	空托盘输送机 PALLET CHAIN CONVEYOR	码垛托盘输送机 PALLET CHAIN CONVEYOR
电源电压(V/Hz) Voltage	三相(3PH) AC380/50	三相(3PH) AC380/50
电机功率(KW) Power	0.75	1.5
输送速度(m/min) Conveying Speed	16	0-20
最大承载重量(kg) Max. Loading	1000	2000
托盘规格 Pallet Specification	双面塑料托盘(四面进叉)或木制托盘 Plastic pallet with two faces or wooden pallet (four sides available for forks)	
托盘尺寸(LXWX H)(mm) Pallet Dimensions	1 400X 1200X150	1 400X 1200X150
气源压力(Mpa) Air Source Pressure	-	0.6
外形尺寸(L×W×H)(mm) Dimension	1 400X 1450X600	1 400X 1450X600
净重(kg) Net Weight	120	200

机器人取包输送机	SJJQB-1 10/50
CONVEYOR FOR ROBOT TAKING BAG	
电源电压(V/Hz) Voltage	三相(3PH) AC380/50
电机功率(KW) Power	0.75
输送速度(m/min) Conveying Speed	0-48
辊距(mm) Distance Among Rollers	80
外形尺寸(L×W×H)(mm) Dimension	1 100X 660X 800(高度与前段输送机高度匹配 Height should match front conveyor height)
净重(kg) Net Weight	180