



Mxw " z i " " w w
Nw y³ "

T" w" w
Y" y" w

Oy y " w "
O " w y y"

hy à" w "
i³ w à

e à w wxw "
O³ à. à w

d / w" 0
d " / w0

Oww " y³ "
4h " " w " w" B7
40 MhV: 7<
4hx w " wT w ywz " " w " ° ww
40 i y³ zwB
4S " " EMxw " e 3
c"àw 30 3h w O y" 3
hy à" w " 30 " w " 30y T" w 3
e à w " wx 3g" ww
UMDOe
4V w " " z " w " zw y khN
4k y z" w " yw" ww
4h zw z
4ew " " w w y



S" w "
4i³ y " w " w B7
4MhV: 7< w " " y y
4U àw z" ° à w z" ° y" z " w
4B i y³ y
4S y w wx " ENw y³ à 3h³ y
" " " à 3h³ y " " à y 3h w
O y" 3i³ w à 30 " w 3y" y" w
y y" 3h wx " y y" à w 3UMDOe " w
4k w z z P w z w w 3 khN
40 z" à 3 x
40 " / z y 0 x"
4S w z w y z" z

d
4hw w " w z d
4O z" w " w z wy w
4l " wA7 U
4h" wk y z" w "
4k y z" w " ww
4e wv à à w/i " 0
4h" y zw zw z

d w
4d " w w
4mw" y " z y z" "
4A7 U
4m³ y z" à
4h z " ° y z" à
4Mz z w z / w 3 à³ 0
4h" y z y " / z y 0 x"

Ow vy 4Ow vy

s SNFOON



887

2D7 O → 2: 0



D@

2D7 O → 4BC 0

F LEE FEEE
Ow " ° àw " w
O x " w " "
i r GF

e " z " à lBl
y " " z à lBl
e " z " z à lBl
y " y



s SNFOTN



8<7

2D7 O → 2: 0



89@

2D7 O → 4BC 0

G LEE IEE

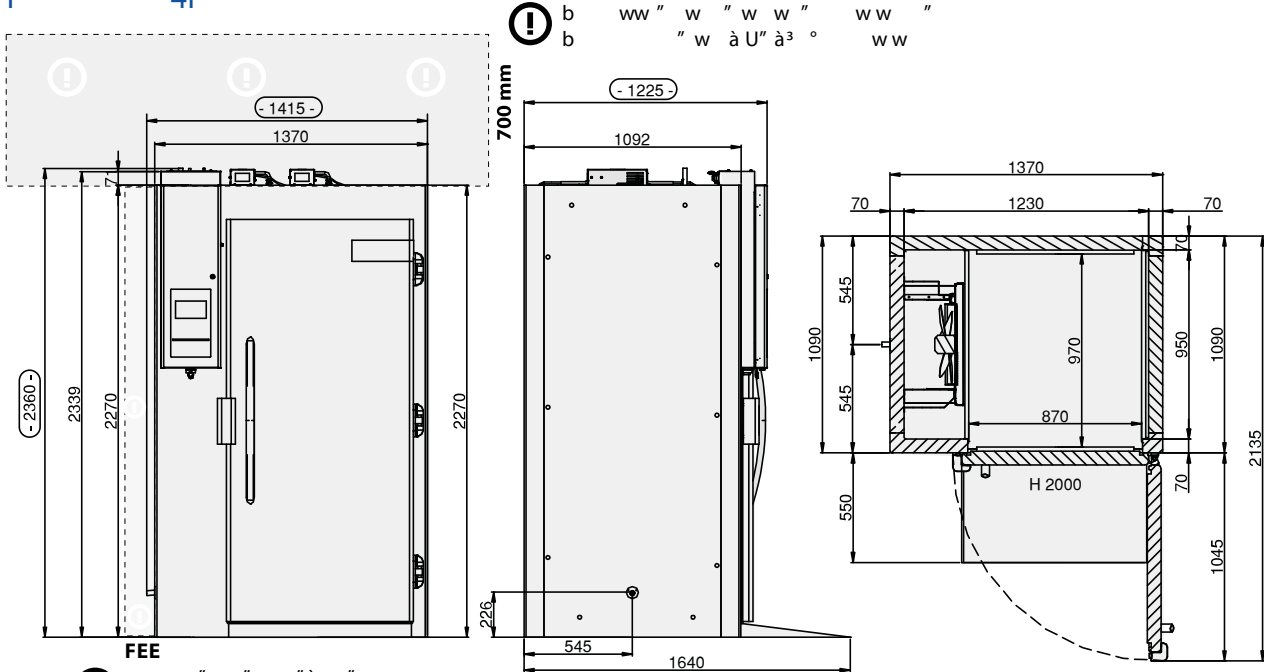
Oww " y³ " 4S" w "

| O z y" e z O z" x" | dxHEBF FE | dxHEBF I E | dxHE exBè |
|--|--------------------|--------------------|--------------------|
| M " w " R" ywe " | <77l 6 c 6@Up | <77l 6 c 6@Up | 9: 7l 68c 6@Up |
| a à ³ " w" " wd z" " à ³ | 8<8@ | 8<8@ | 8<8@ |
| e ° z p" 3 | 899@ | 899@ | 899@ |
| M" w" " wU" à ³ | 9: A7 | 9: A7 | 9: A7 |
| e " ww x w b w y " " Mk x" z " 6b w O " | @B77 m 68DM | A@77 m 699M | 8<77 m 6AM |
| Ow w " w " Owk " " | @ 93@ 9 | @ <3 9 | : 93@ 9 |
| g" wwxw " d y ³ à /2D7 O62: O0 | 887 à | 8<7 à | 444 |
| g" w à" w " d ° " " à /2D7 O68C O0 | D@ à | 89@ à | 444 |
| Pw " z " y yw Owk " h ³ " zww y 6 à | 9<@ 8<A 889y 6<@ à | 9<@ 8<A 889y 6<@ à | 9<@ 8<A 889y 6<@ à |

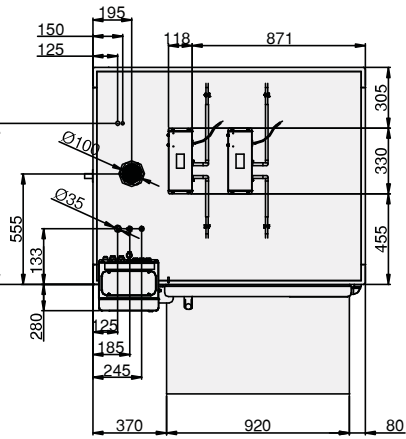
OmgM i RgYhi VOURLkc VM gRb di M/z w w w w87 OgRb di ROdc PRchT kc V SRM kgR/ w z w y" 87 0

| | | | |
|--|---------------------|----------------------|--------------------|
| e " wS à ° w g" ° à" w e " /497 O62<7 O0 | C: 87 m 4<Ue | 87DB7 m 4@Ue | |
| hx w " p" ° | Tw Owz 4U Tw | Tw Owz 4U Tw | |
| P w " i x b w zww P w " " P y ³ wà" e " | 89 | 89 | |
| P w " i x M w " P w " " h y e " | 9C | 9C | / " wk 5D6 3 O& 50 |
| P w " i x Tw Owz P w " " U T we " | 87 | 87 | |
| S z " ° à" w " g" ° à" w S z | g<@9w 6g<7<M | g<@9w 6g<7<M | |
| Pw " z " kO O&k 5h ³ " zww y 6 à | C7 8@@ B7 /9B7 Zà 0 | D@ 8A7 C@ /: 87 Zà 0 | |
| l " " y z" wwxw wy w4mw" y z" w " | | | |
| i" 5My w mw" i" 58@O O O | 83C | 83A@ | |
| i" 5My w mw" i" 5:7 O O O | 938 | 93C | |

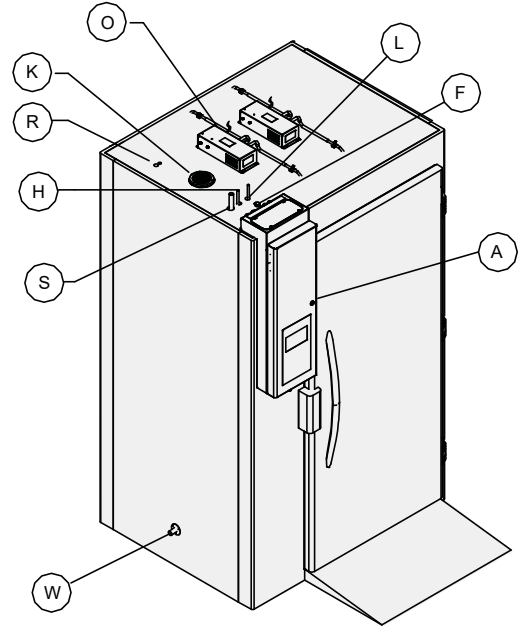
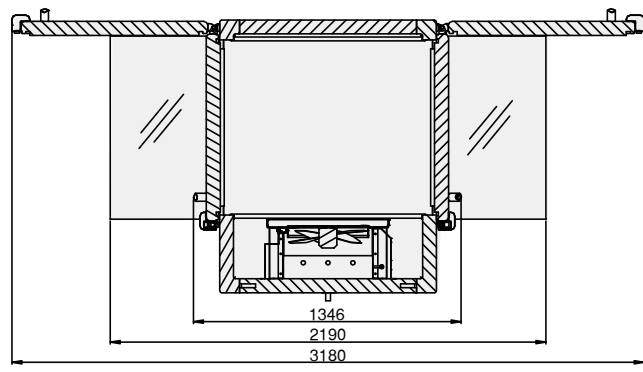
P " 4P "



ⓘ b ww " w " w w " ww " b " w à U" à³ ° ww "



Second Door Optional



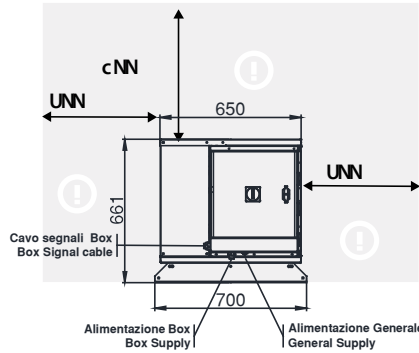
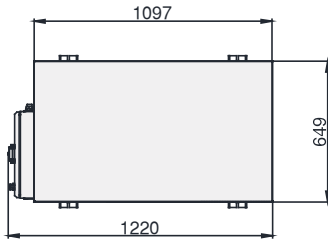
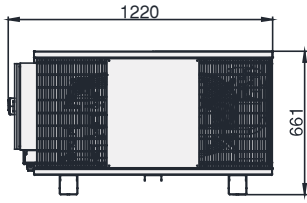
Predisposto connessione WI-FI
Predisposed WI-FI connection

- ⓘ Ozone Box
- ⓘ Compensation valve
- ⓘ Cables outlet
- ⓘ Hot gas line
- ⓘ Suction gas line
- ⓘ Liquid line
- ⓘ Water discharge Ø 20 mm
- ⓘ Electric Box
- ⓘ Touch Panel 7"
- ⓘ WI-FI Connection

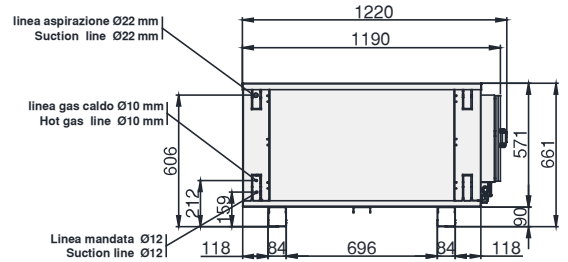


Ft

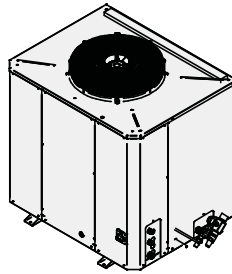
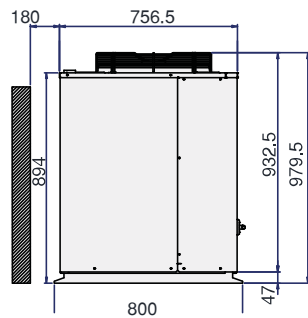
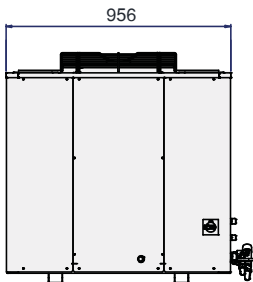
I kt



! b S " " w y " x " 5



I kt os à r s lvg



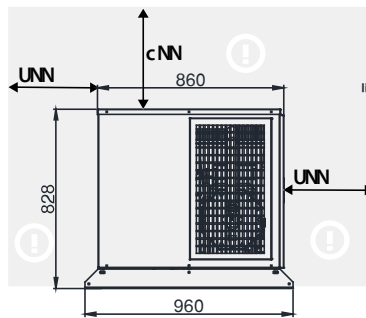
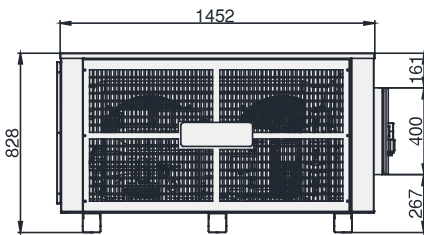
LHA

a " z e " wh w
h z " " "
/z NMD

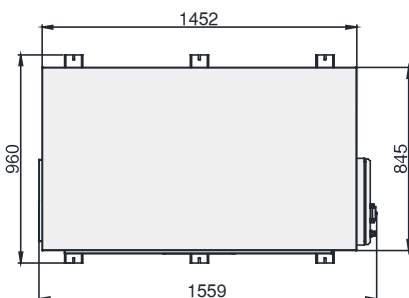
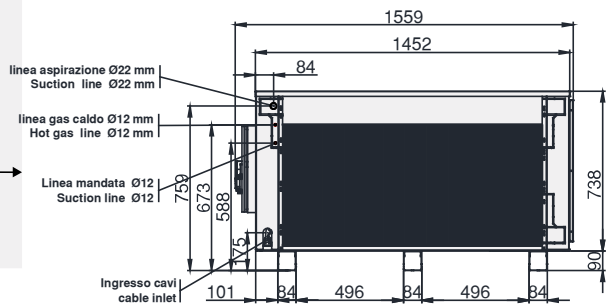
HJA

a " z e " " h ww87
h z " " " w 87
/z NMD

JA kt



! b S " " w y " x " 5



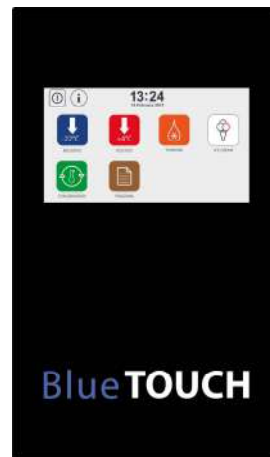
x l x

| Versione Version | Abbatimento Blast chiller cycles | Ciclo gelato Ice cream cycle | Ciclo conservazione Conservation cycle | Ciclo scongelamento Thawing cycles | Ciclo Ozono Ozone cycle | Sbrinatorio gas caldo Hot gas defrosting | Programmi memorizzati Stored Programs | Ventil. Evaporatore a velocità variabile Variable speed fans evaporator | Resistenza a potenza variabile Variable power resistance | Controllo dinamico Set Dynamic Frost Control | Carico/Scarico dati-USB Load/Download data-USB |
|---------------------|-------------------------------------|---------------------------------|---|---------------------------------------|----------------------------|---|--|--|---|---|---|
| hi Mgi | ● | ● | ● | ● | ● | ● | ● | ● | ● | ● | ● |
| Sk aa | ● | ● | ● | ● | ● | ● | ● | ● | ● | ● | ● |

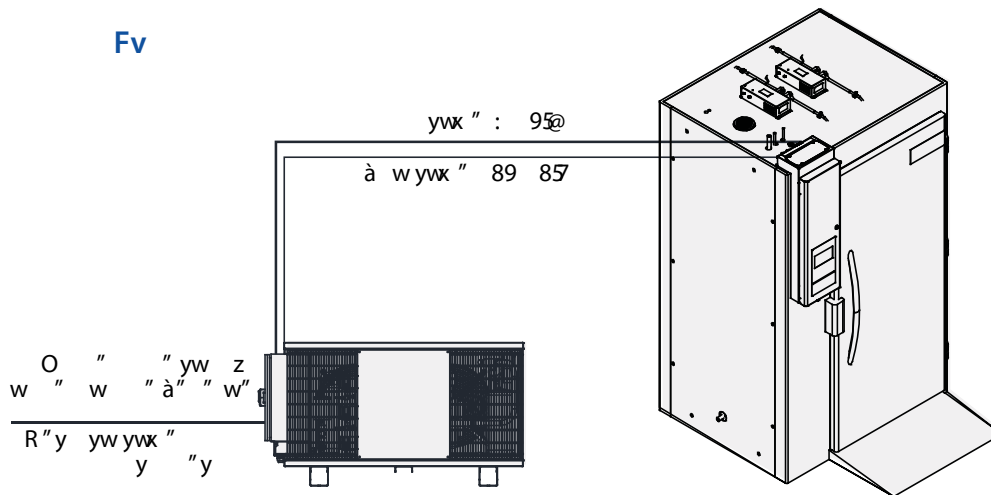
à v xrtt à c t"
c t" à v xrtv



e "z"
y " "
e "z" " à lBl
y "y "z à lBl



t Fv



! **p** **e** **!**

Ow " wy àww y' x ° w " z" y " ° y Ow " wy à ww " " 3" à z ° y à ° 3" y " ° 3"
 . w 5h " y " zw wàww w " " w ° à " " z" w wy³ 4 v4³ "5V. " y z" z ° 3" w w " 3" y à " ° w y" ° 3"
 w4 w° w " z w w w y ° y " z" w wy³ "4 w° y à zw wà" z " 3" w w y " "
 vvy³ ww w y" w " z " ° à" w " w y z" w z " 5V y "y " ° 3" wy³ " 3 3" y" wy à 3" à w
 w y w " àww y' zw z" w zw w yw wy " w. à 4 y z" à 5V w y w 3" w w zw wà" 3" wy³ "
 " z w w " " z " x " zw w y³ "zw" " yw" y³ " " " z " 3" "z y "y " ° 3" ww 3 y³ 3" vy³ "
 x yy z" . w 3 w" " " " yw z w° w " z" w yw" ° ww y 4 à ° 3" y" wy à 3" à w
 y" w" ° à " w z" w y z" w " ° wzw" 5x w " w y z" à 5J àw z" ° à w w w x " ° 3 àw "z /
 àw ywz z x " " " ° w w "wz àw ywz /z w w G z w y" G9@ 6M " w " w z" ° à w w w x " ° y w " 5
 9@ 6hx w " vz w wz x " zw w " z y

e **r s x** **e**

4S "à w" z y w z " y " " 4d à w "z ° y³ y " "
 4S "à w" z y w z " w wàw ywz / " " " " 0 4d à w "z ° y³ 3 àw w " / ° " " 0
 4P x " à " y³ "zw" " yw " "à w" z w w " zw 4V à w w w w x " ° ww y à ° 3" y z" à 3 3 y³
 y z" w " 3y³ " " " z x yyw" w vvy³ w5 3" vy³ " 5

e **e**

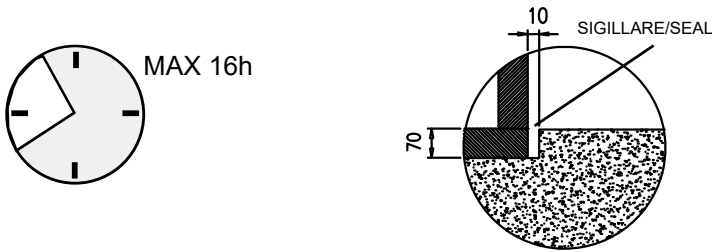
4P " " " " z w x w w w° " z à" w " 4Nw S" " à ° y x" z w x "z /z 0
 4k w" "wy " " w wz " w w " 4C O64 7 O 4k " 3" ° " " à " /4C O64: 7 OR w w 0
 4P x " "à w" " w w wz z / w w ° w0 4d à w "z ° z " w " y / w " "z0
 4P x " à " y³ "zw" " yw " "à w" z w w " zw w 4V à w w w w x " ° à" " w w w ° 3" y" wy à 3 3 y³
 y" w" ° à " w y³ " " " " z x yyw" w vvy³ w 3" vy³ "

BT30 400V/3N/50Hz Blast chiller Multifunction

r Fr v

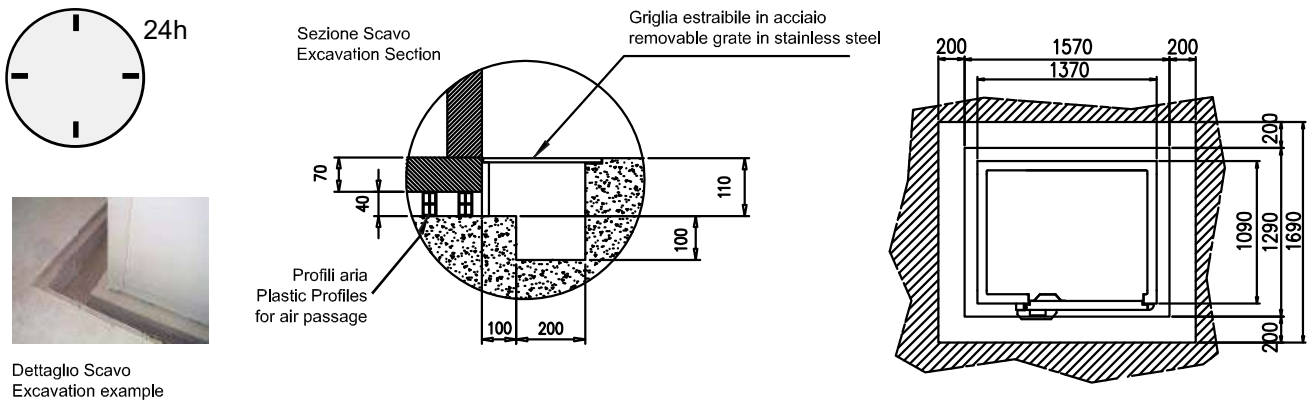
Soluzione per funzionamento minore di 16h/giorno

For running , less than 16 hours a day



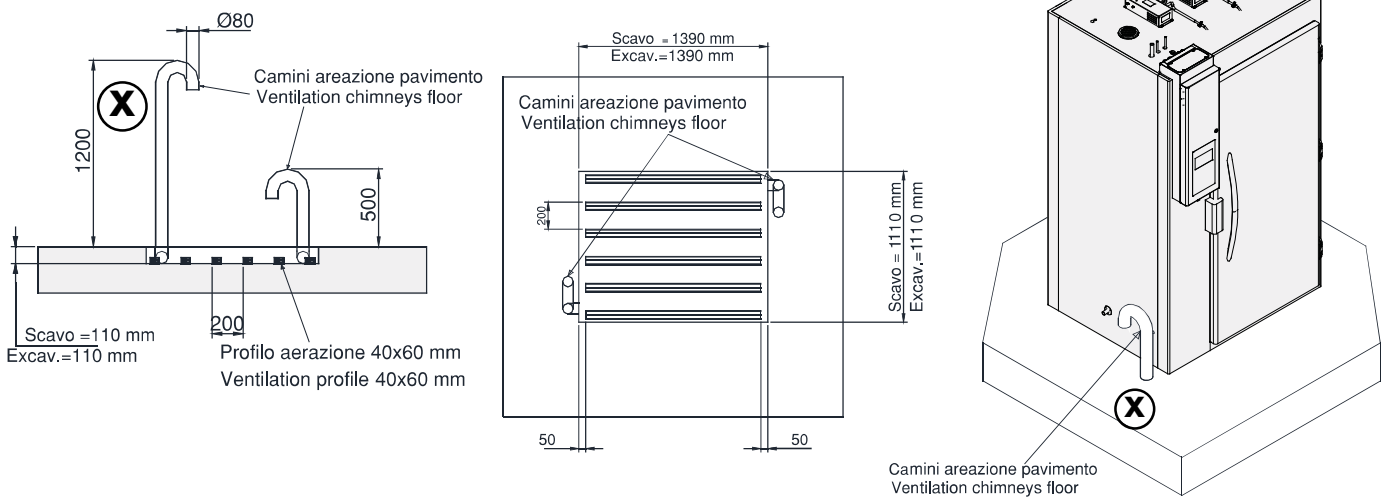
Soluzione per funzionamento 24h/giorno con griglia

For running 24 hours a day with removable grate



Soluzione per funzionamento 24h/giorno con camini areazione

For running 24 hours a day with ventilation chimneys



! **Opere murarie e camini , a cura del cliente**
Masonry work and chimneys, charged to the customer.

BT30 400V/3N/50Hz Blast chiller Multifunction

JD